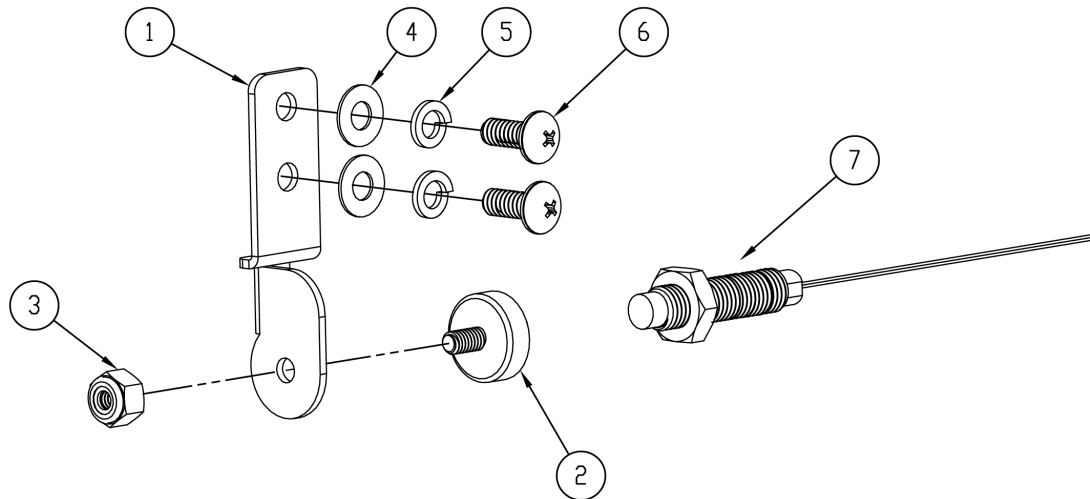


**RESCUE LADDER INDICATOR SWITCH
MODEL RL-IS**

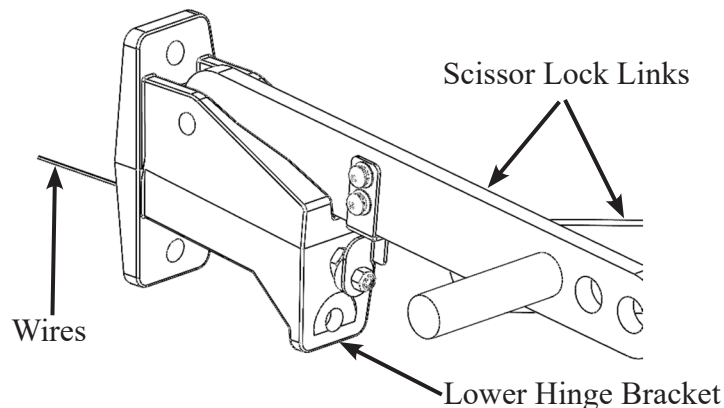


ITEM NO	PART NO.	DESCRIPTION	QTY.
1	3096-087-101	MAGNET MOUNT	1
2	3096-087-103	ENCASED NEDDYMIUM MAGNET #8-32	1
3	9013-171600	NUT, #8-32 NYLON LOC, ZPS	1
4	9014-111900	WASHER, #10 REGULAR, ZPS	2
5	9014-201900	SPLIT LOCK WASHER, #10, ZPS	2
6	9010-222008	SCREW, #10-32 X 1/2 PAN HEAD PHILLIPS SCREW, ZPS	2
7	3096-087-105	MAGNETICALLY ACTUATED SWITCH WITH WIRE LEADS, 5/16-24, NUT	1

See Page 2 if you do not have mounting holes for the bracket

Numbers shown in parenthesis() are references to the part's item number.

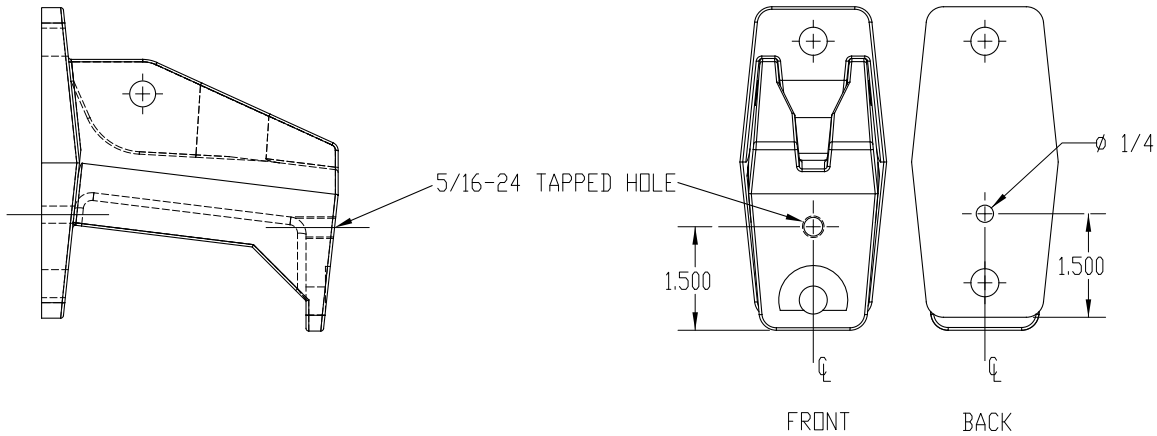
1. Insert Actuated Switch(7) into threaded hole of the Lower Hinge Bracket. It should be threaded in enough to install the Magnet Mount(1). Adjust the depth in step 3.
2. Secure the Magnet Mount with the #10-32 Screws(6) from the inner side of the ladder so that the heads of the screws do not interfere with the Scissor Lock Links.
3. Adjust switch to within 1/4" of the magnet(2). Secure with plastic jam nut(7).
4. Feed wire leads through the hole in the back of the Lower Hinge Bracket



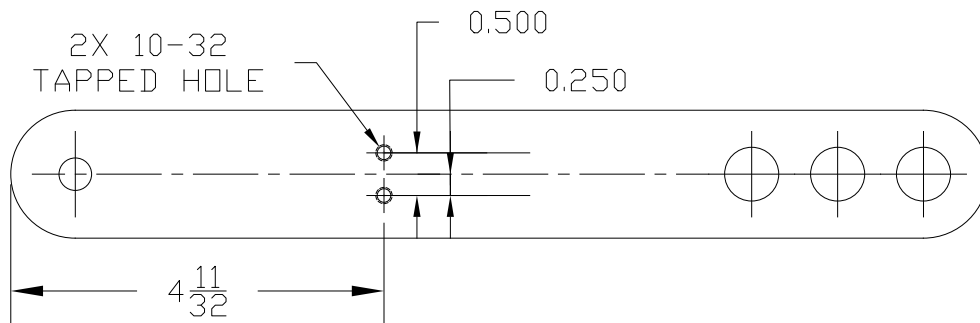
If adding the RL-IS to an existing Rescue-Ladder, additional holes shown below may have to be added

To modify the Lowe Hinge Bracket add the following two holes:

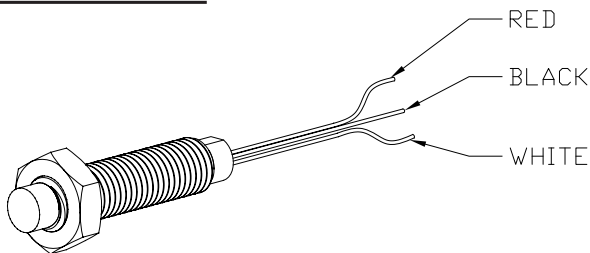
1. From the front, add a 5/16-24 tapped hole at the location specified in the front view.
2. From the back, add a 1/4" through hole at the location specified in the back view.



To modify the Scissor Lock link, add the following two tapped holes in the locations shown below:

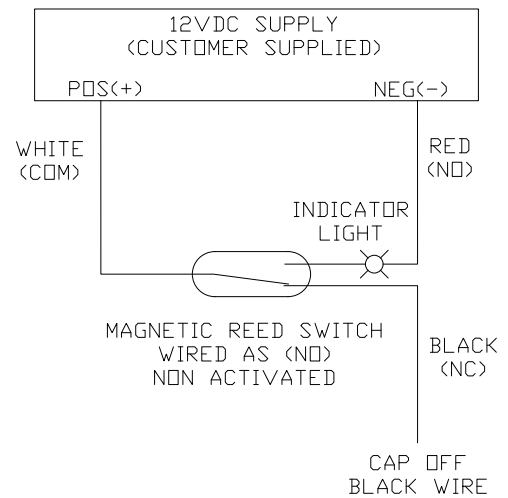


Electrical Circuit



CONDUCTOR CONFIGURATION
COMMON (COM) - WHITE
NORMALLY OPEN (NO) - RED
NORMALLY CLOSED (NC) - BLACK

LADDER IN STOWED POSITION



Ziamatic Corp.

10 West College Avenue, P.O. Box 337, Yardley, PA 19067-0587 • (215) 493-3618 • FAX: (215) 493-1401

*ZICO is a registered trademark for fire, safety and marine products made by Ziamatic Corp.

www.ziamatic.com
TOLL FREE: 800-711-3473

Copyright Ziamatic Corp. 11-22