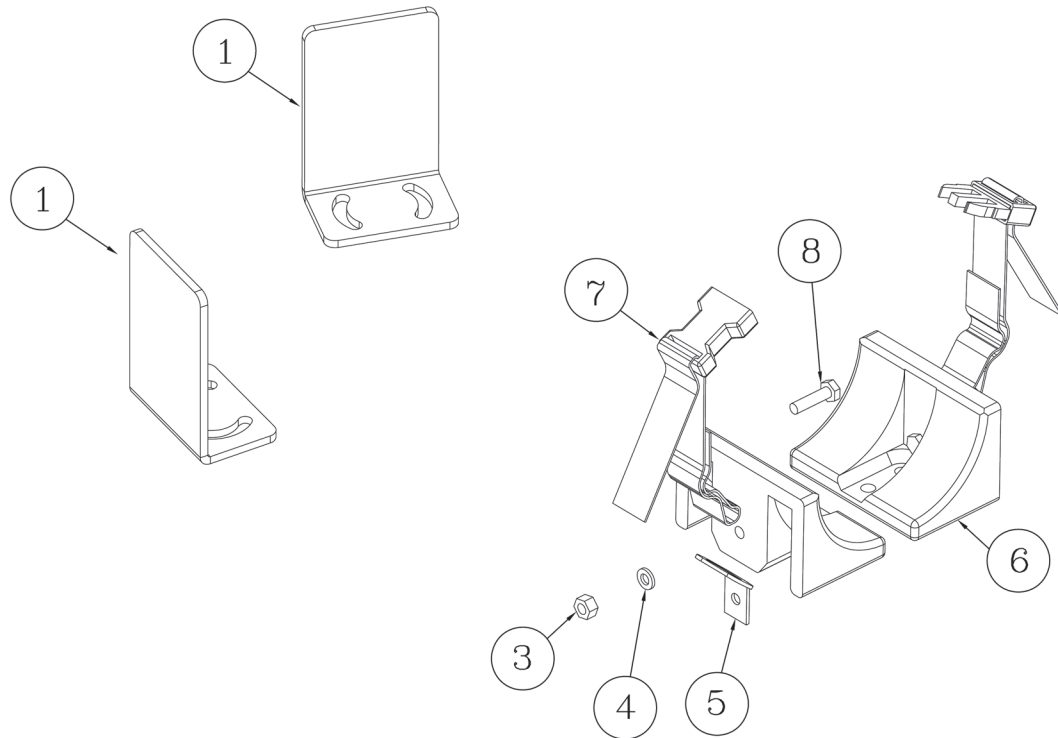


**QUIC-MOUNT HORIZONTAL EXTRICATION TOOL HOLDER WITH STRAP**  
**MODEL QM-ET-H2**  
**PARTS AND MOUNTING INFORMATION**



ITEM NO.	PART NO.	DESCRIPTION	QTY.
1	3095-230-101	Horizontal Holding Angle Universal	2
3	9015-112500	1/4-20 Nut	2
4	9014-202500	1/4" Lock Washer	2
5	1010-120-055	Retainer, Strap	2
6	3095-225-101	Ext. Holding Curve	2
7	3095-230-103	Strap	1
8	9010-102516	Screw Hex, 1/4"-20 x 1" ZPS	2

**Mounting:** Mount components using 1/4" hardware (not included).



**Ziamatic Corp.**

10 West College Avenue, P.O. Box 337, Yardley, PA 19067-0587 • (215) 493-3618 • FAX: (215) 493-1401

\*ZICO is a registered trademark for fire, safety and marine products made by Ziamatic Corp.

www.ziamatic.com  
 TOLL FREE: 800-711-3473  
 Copyright Ziamatic Corp. 10-13