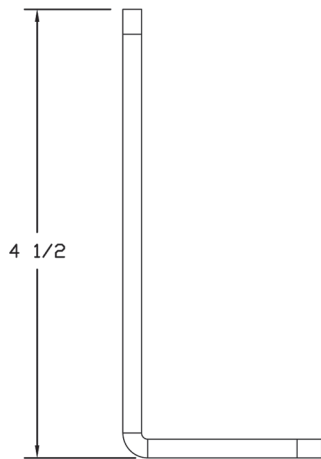
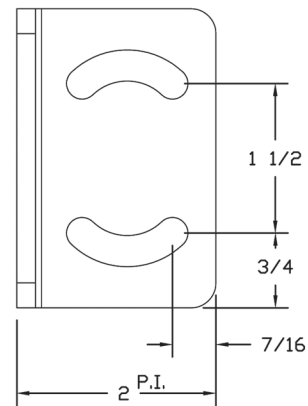
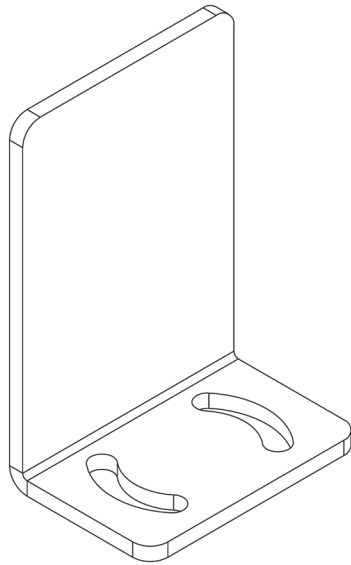


QUIC-MOUNT HORIZONTAL EXTRICATION TOOL HOLDER
MODEL QM-ET-H
PARTS AND MOUNTING INFORMATION

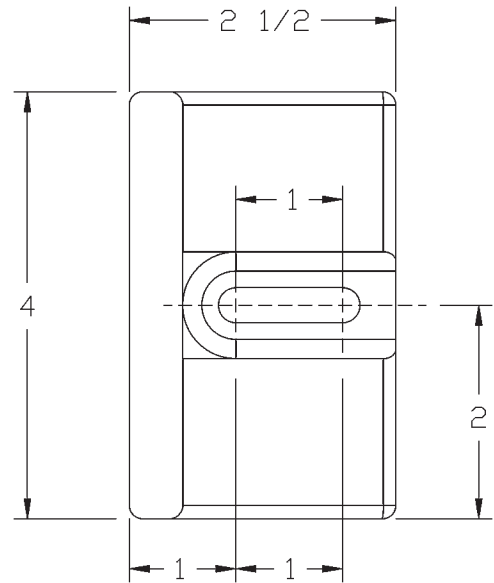
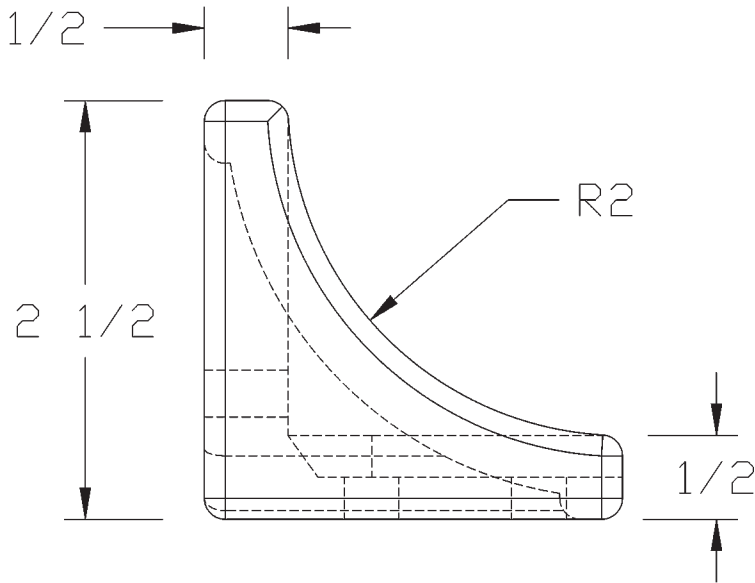
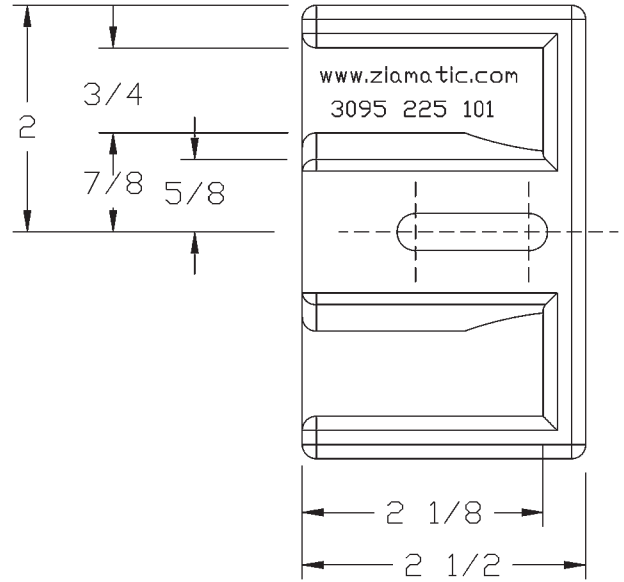
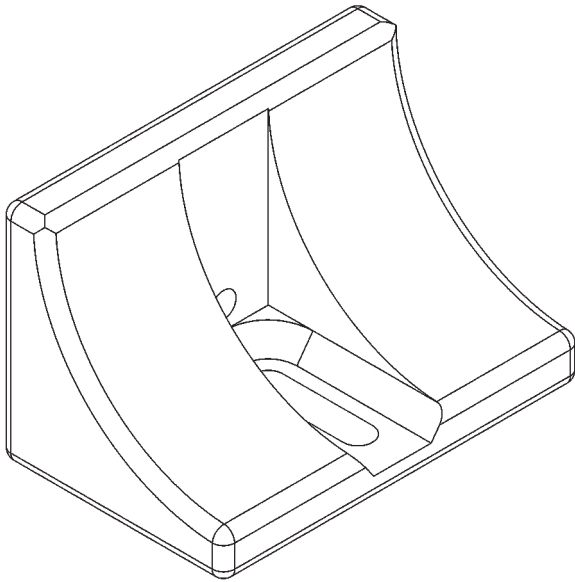
Dimensions - Horizontal Holding Angle



Mounting: Mount components using 1/4" hardware (not included).

ITEM NO.	PART NO.	DESCRIPTION	QTY.
1	3095-225-101	Ext. Holding Curve	2
2	3095-230-101	Horiz. Holding Angle	2

Dimensions - Ext. Holding Curve



Ziamatic Corp.

10 West College Avenue, P.O. Box 337, Yardley, PA 19067-0587 • (215) 493-3618 • FAX: (215) 493-1401

*ZICO is a registered trademark for fire, safety and marine products made by Ziamatic Corp.

www.ziamatic.com

TOLL FREE: 800-711-3473

Copyright Ziamatic Corp. 10-13