

MULTI-POSITION LADDER MOUNTING SET

MODEL: LMS

PARTS AND INSTRUCTION MANUAL

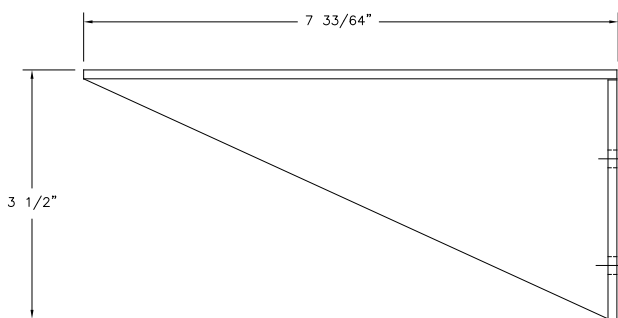


For secure mounting of multi-position ladders.

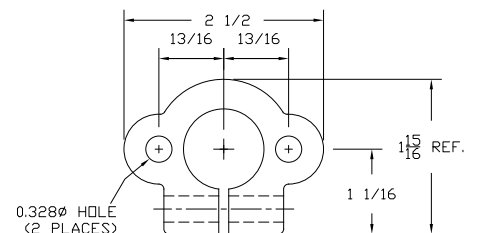
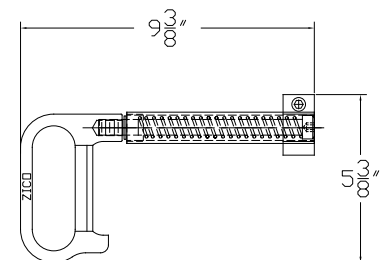
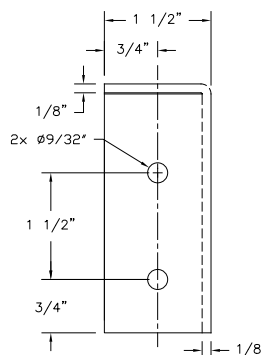
Set consists of two powder-coated aluminum Angle Support Brackets (ASB-7.5) and one Ladder Handle Assembly (LHA).

Mount ASB-7.5 using 1/4" hardware.(not supplied)

Mount the LHA using 5/16" hardware. (not supplied)



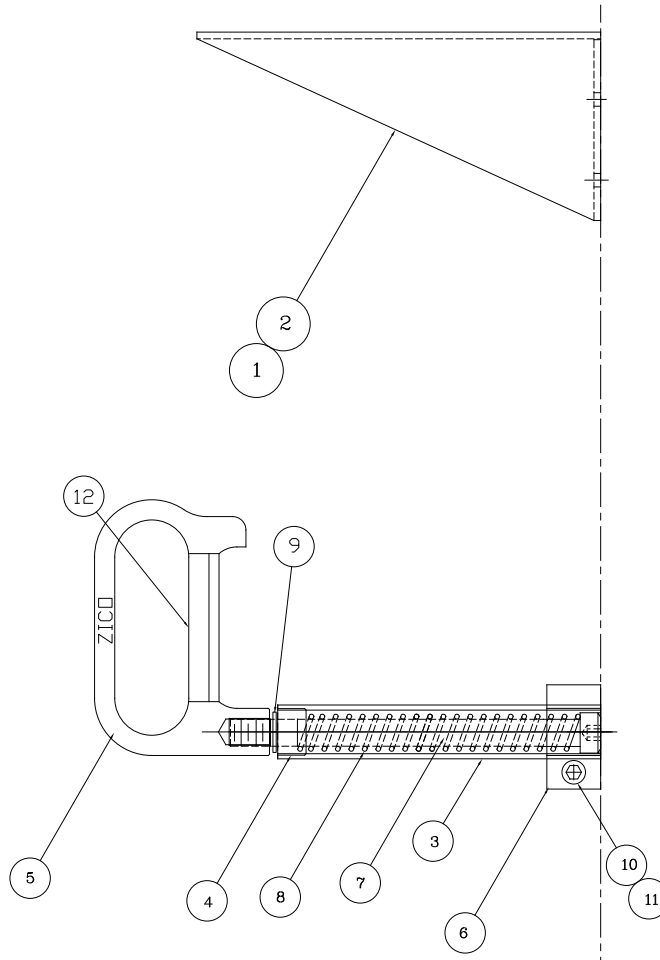
ASB-7.5 (Left shown)



LHA

Usage

- Place ladder onto supports brackets.
- Hold ladder in place and pull out the handle, turn handle to secure ladder.



| Item No. | Part No. | Description | Qty |
|----------|--------------|------------------------------------|-----|
| 1 | 3095-175-101 | Support Bracket, Left | 1 |
| 2 | 3095-175-105 | Support Bracket, Right | 1 |
| 3 | 3095-180-101 | Housing, 6" Long | 1 |
| 4 | 3097-105-118 | Set Screw, 7/8-14, Hollow Lock | 1 |
| 5 | 3097-105-109 | Handle, Chrome | 1 |
| 6 | 3095-180-105 | Support, Retainer Handle, 1" Long | 1 |
| 7 | 9010-3350104 | Screw, 1/2-13 x 6 1/2" Socket Head | 1 |
| 8 | 3095-180-110 | Spring, LHA | 1 |
| 9 | 3097-105-130 | Washer, Nylon, 1/2" x 3/4" x.063" | 1 |
| 10 | 9010-333132 | Screw, 5/16-18 x 2" Socket Head | 1 |
| 11 | 9013-173100 | Nut, 5/16-18, Nylon Locking | 1 |
| 12 | 3097-105-160 | Handle Wear Strip | 1 |



Ziamatic Corp.

10 West College Avenue, P.O. Box 337, Yardley, PA 19067-0587 • (215) 493-3618 • FAX: (215) 493-1401

www.ziamatic.com

TOLL FREE: 800-711-3473

*ZICO is a registered trademark for fire, safety and marine products made by Ziamatic Corp.

Copyright Ziamatic Corp. 6-23