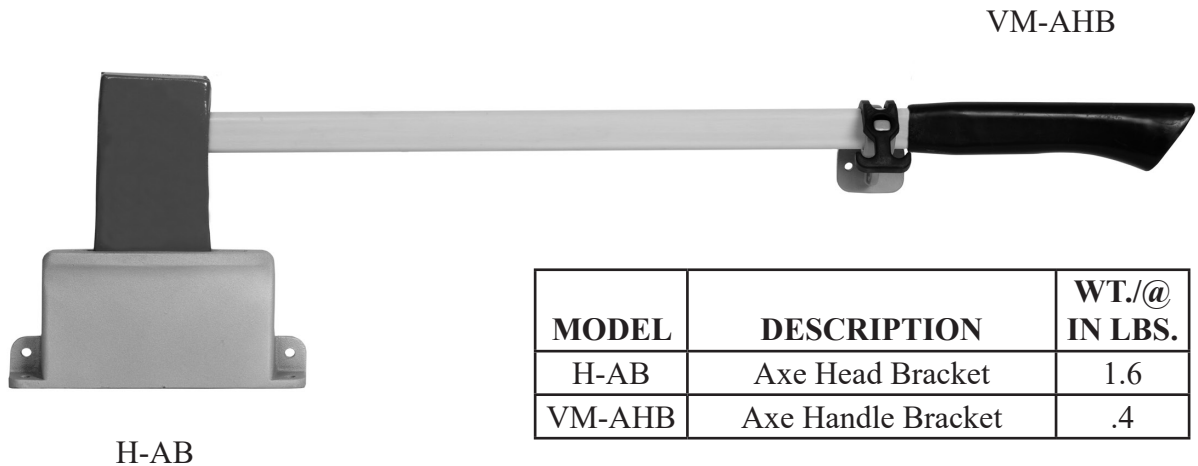


QUIC-MOUNT™ AXE HEAD AND HANDLE BRACKETS

MODELS H-AB AND VM-AHB

INFORMATION MANUAL



MODEL	DESCRIPTION	WT./@ IN LBS.
H-AB	Axe Head Bracket	1.6
VM-AHB	Axe Handle Bracket	.4

General Information:

- For use with 6 lb. and 8 lb. flat and pick head axes
- For best results, Models H-AB and VM-AHB should be used in conjunction (sold separately)
- Constructed of powder-coated cast aluminum for years of maintenance-free service
- Rubber strap is UV-resistant for dependable use in outdoor environments

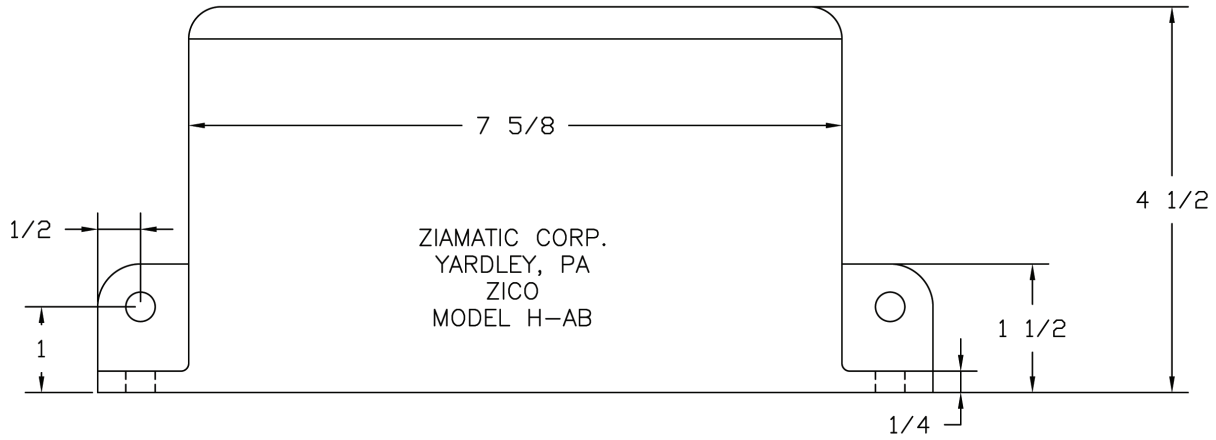
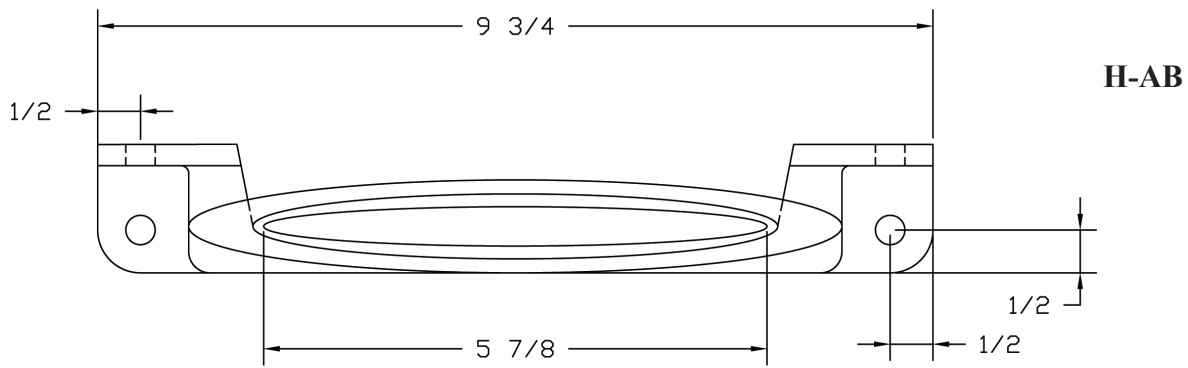
Installation Instructions:

WARNING: Models H-AB and VM-AHB are **NOT** to be installed in the cabin of a moving vehicle.

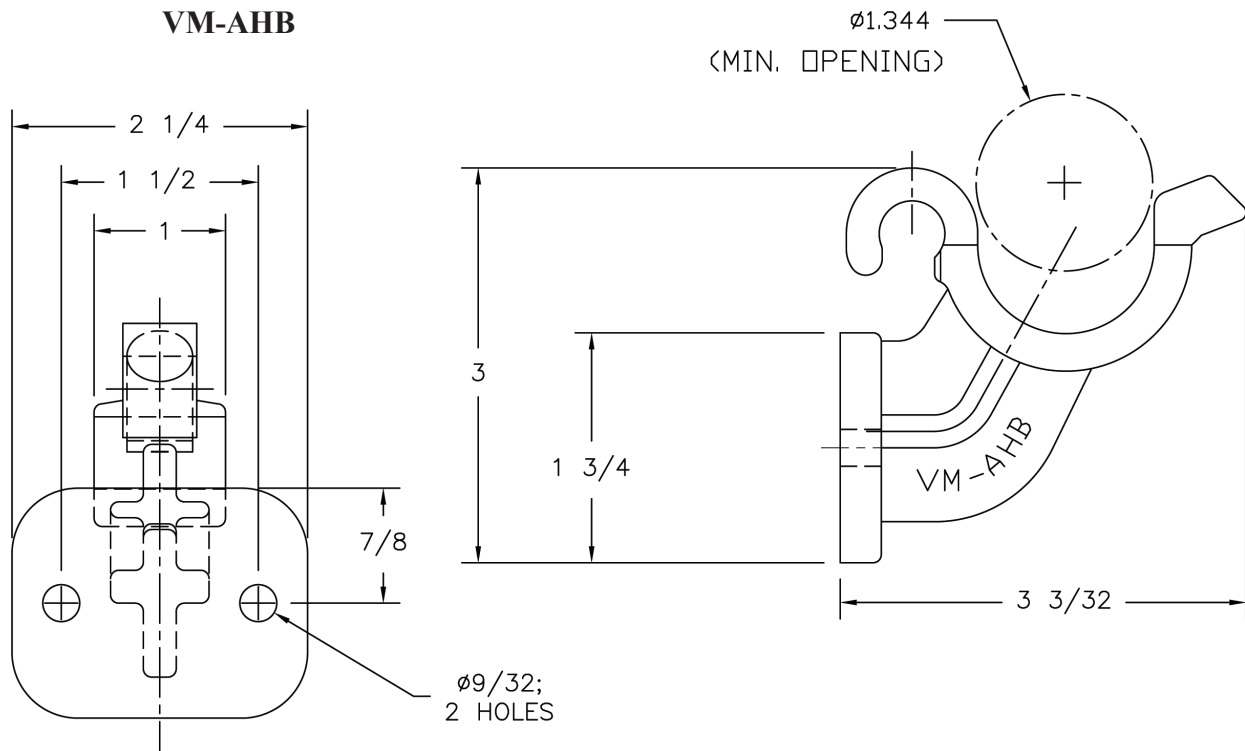
- May be mounted horizontally or vertically to any flat surface
- Mount Model H-AB at four points using 5/16" hardware (not included)
- Mount Model VM-AHB at two points using 1/4" hardware (not included)

Operation Instructions:

- To store, slide axe blade firmly into Axe Head Bracket holder slot. Place handle into Handle Bracket and secure rubber strap
- To remove, release rubber strap and pull axe free of holder



VM-AHB



Ziamatic Corp.

10 West College Avenue, P.O. Box 337, Yardley, PA 19067-0587 • (215) 493-3618 • FAX: (215) 493-1401

www.ziamatic.com

TOLL FREE: 800-711-3473

*ZICO is a registered trademark for fire, safety and marine products made by Ziamatic Corp.

Copyright Ziamatic Corp. 6-20