

QUIC-STEP™ FIXED VEHICLE STEP
MODEL FVS-20
PARTS AND INSTRUCTION MANUAL



Features:

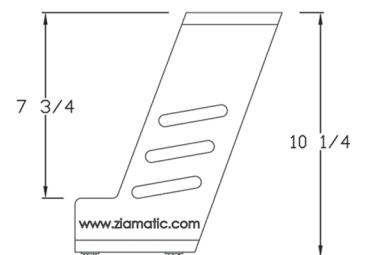
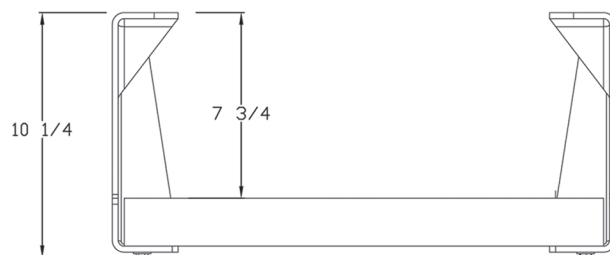
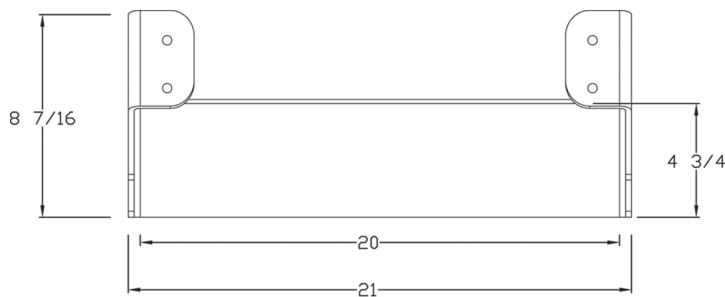
- Provides a convenient stepping location for crew cabs, pump panels, hose beds, and more.
- Reduces risk of strains and other injuries without the added cost of custom fabrication.
- Open diamond pattern design increases traction and allows mud and debris to fall clear of surface.
- Easily retrofitted to existing apparatus.
- Meets NFPA requirements for slip resistance and static load.

Specs:

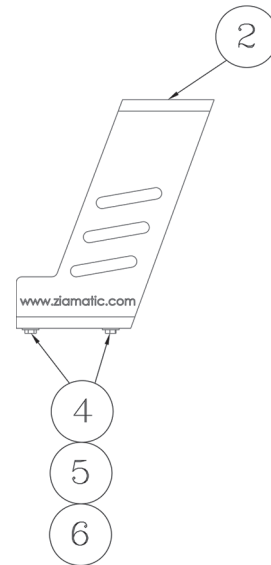
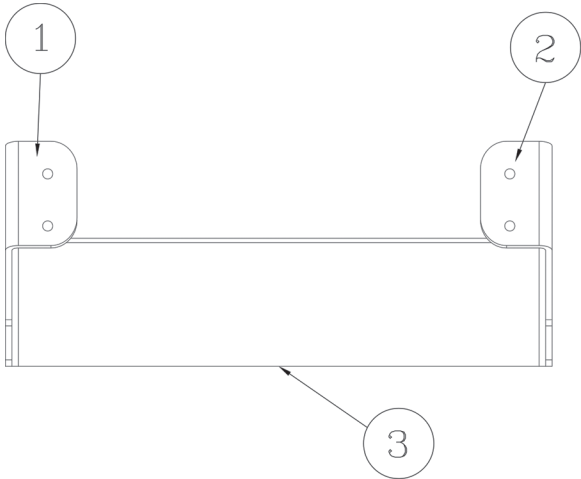
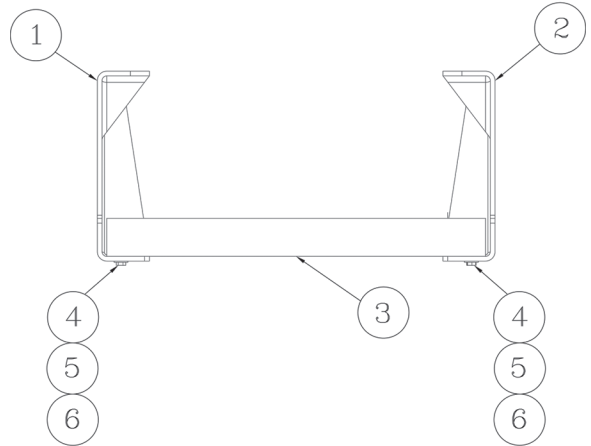
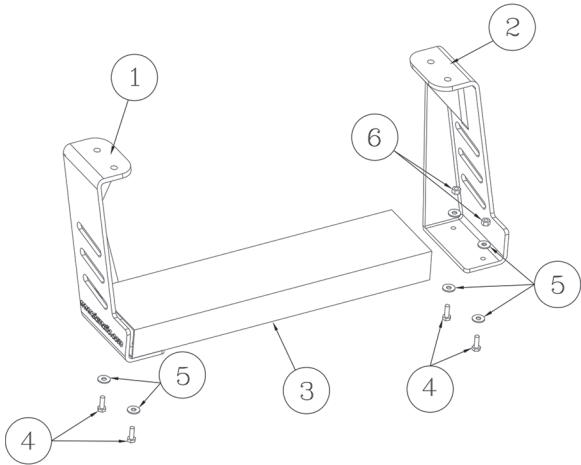
- Places the stepping surface 7.75" below and 4.625" away from the running board.
- 20" x 4.75" stepping surface.
- Only requires a 4" x 21" mounting surface.
- Sustains a static load of 500 lbs. This should be taken into account in determining strength of mounting surface and mounting hardware (not included).

MODEL	DESCRIPTION	WT./@ IN LBS.
FVS-20	Fixed Vehicle Step	5.6

Dimensions:



Parts Diagrams:



ITEM NO.	PART NO.	DESCRIPTION	QTY.
1	3094-300-101	FIXED BRACKET LEFT	1
2	3094-300-103	FIXED BRACKET RIGHT	1
3	3094-300-105	PLANK 4-3/4" W x 20" L	1
4	9015-102512	SCREW HEX, 1/4"-20 x .75" ZPS, GR5	4
5	9014-112500	WASHER, 1/4"	8
6	9015-172500	NUT, 1/4"-20, NYLOCK GR5	4



Ziamatic Corp.

10 West College Avenue, P.O. Box 337, Yardley, PA 19067-0587 • (215) 493-3618 • FAX: (215) 493-1401

www.ziamatic.com

TOLL FREE: 800-711-3473

*ZICO is a registered trademark for fire, safety and marine products made by Ziamatic Corp.

Copyright Ziamatic Corp. 12-11