

QUIC-STEP™ MANUAL PULL-OUT STEP
MODEL PS-8-5
PARTS MANUAL

ZICO®

3094PM5

Rev. 3-25-24

MODEL	DESCRIPTION	WT./@ IN LBS.
PS-8-5	Pull-Out Step	9.75

- Step drops 8" when fully extended
- 11-5/8" x 16-1/4" when fully retracted
- Corrosion resistant materials with a cast aluminum stepping surface
- Meets NFPA requirements for slip resistance and 500 lb. static load

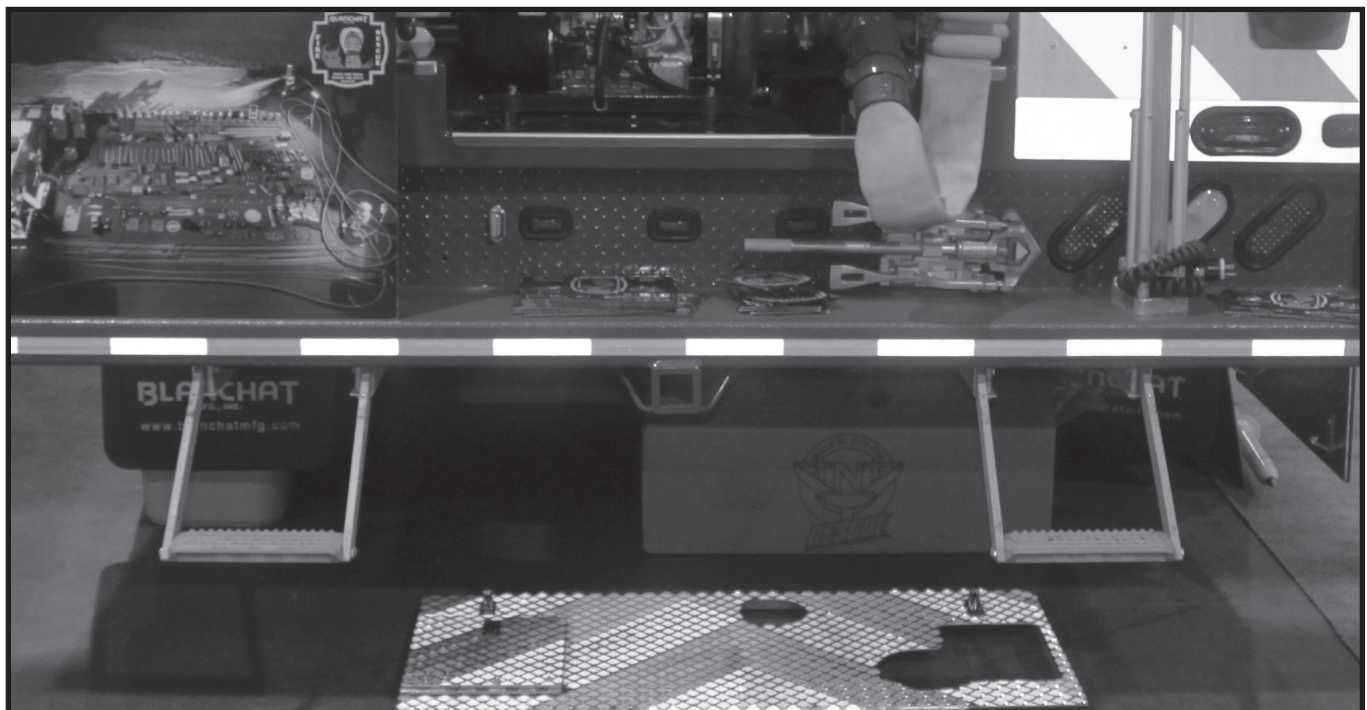
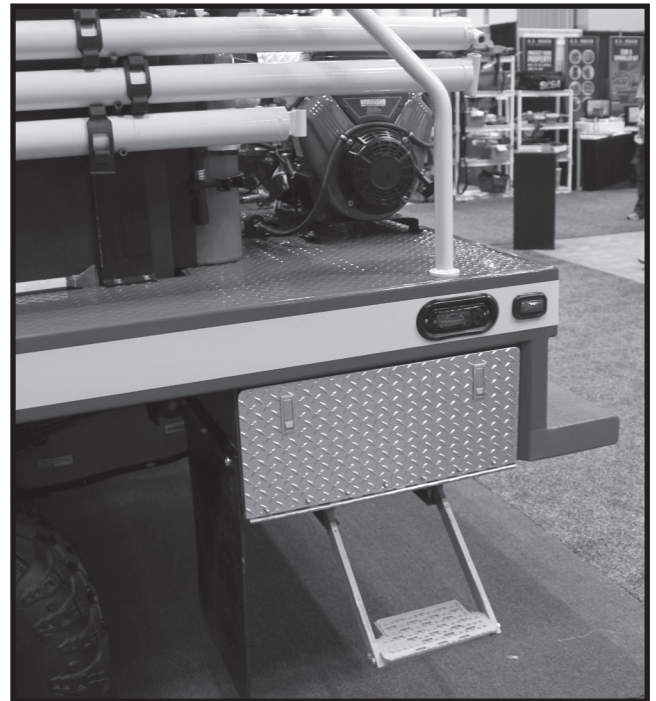
Opertation

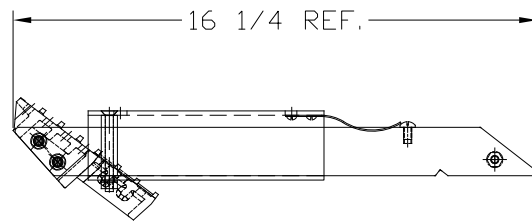
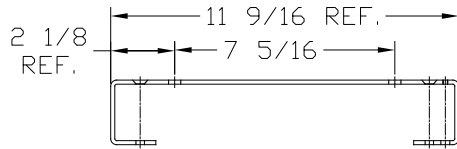
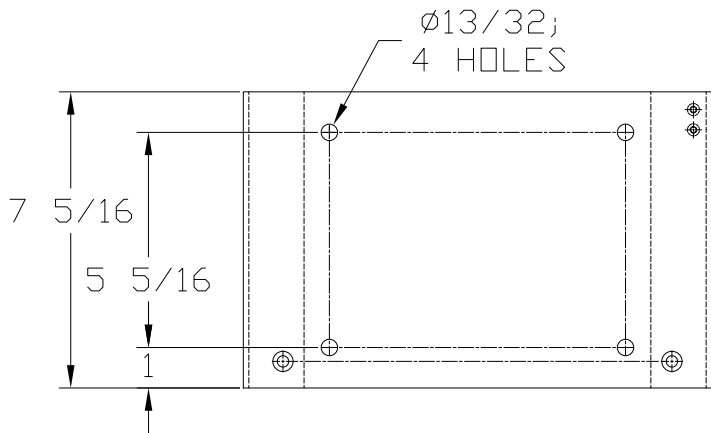
To use:

Pull step(2) out from base(1) and lower down.

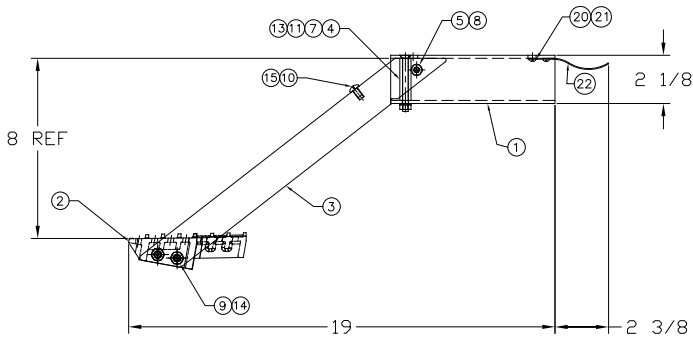
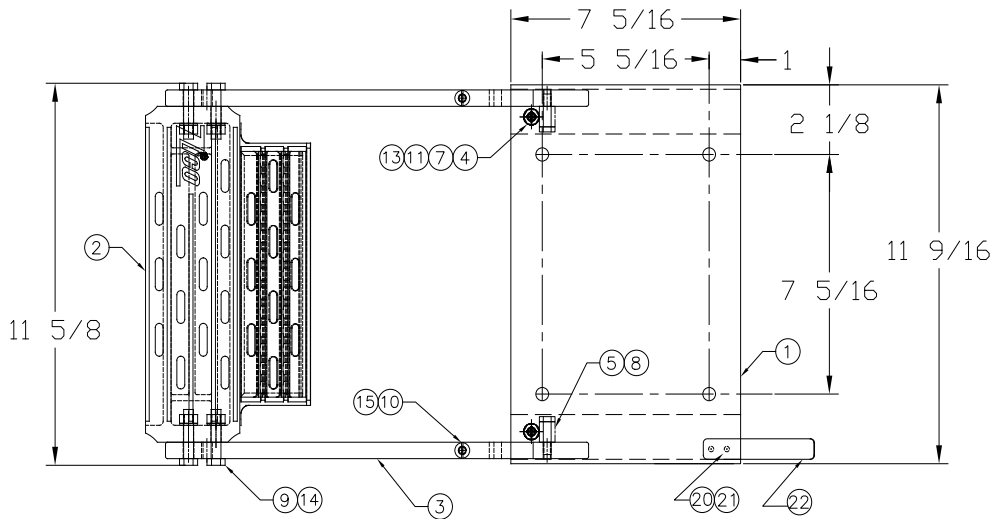
To store:

Raise step(2) and push into base(1) until retaining spring(22) engages.





- Mount using 4 places- minimum 3/8" hardware. Grade 5 or better (not included)



ITEM #	PART #	DESCRIPTION	QTY.
1	3094-100-101	Base	1
2	3094-100-103	Step	1
3	3094-100-105	Arm	2
4	3094-100-107	Post	2
5	3094-100-109	Stop	2
7	9015-162540	Screw, Flat Hd. Soc, 1/4-20 x 2-1/2", SZP GR5	2
8	9015-102516	Screw, Hex Hd. 1/4-20 x 1", SZP, GR5	2
9	9015-113124	Screw, Hex Hd. 5/16-18 x 1-1/2", SZP, GR5	4
10	9120-101906	Drive Screw, Round Hd. #10 x 3/8", SS	1
11	9114-112500	Washer, ø1/4, Regular, SS	2
13	9015-172500	Nut, Nylon Lock, 1/4-20, SZP	2
14	9015-173100	Nut, Nylon Lock, 5/16-18, SZP	4
15	0000-000-121	Threadlocker, Blue, Medium Strength	N/A
20	9010-221603	Screw, Pan Hd. 8-32 x 3/16", SZP	2
21	9014-201600	Washer, #8 Split Lock, SZP	2
22	3094-100-111	Retaining Spring	1

Maintenance: Semi-annually lubricate all joints and pivots with CRC Stor & Lube long-term lubricant and rust preventative #03032. Excess lubrication should be wiped off.



Ziamatic Corp.

10 West College Avenue, P.O. Box 337, Yardley, PA 19067-0587 • (215) 493-3618 • FAX: (215) 493-1401

*ZICO is a registered trademark for fire, safety and marine products made by Ziamatic Corp.

www.ziamatic.com
TOLL FREE: 800-711-3473

Copyright Ziamatic Corp. 8-22