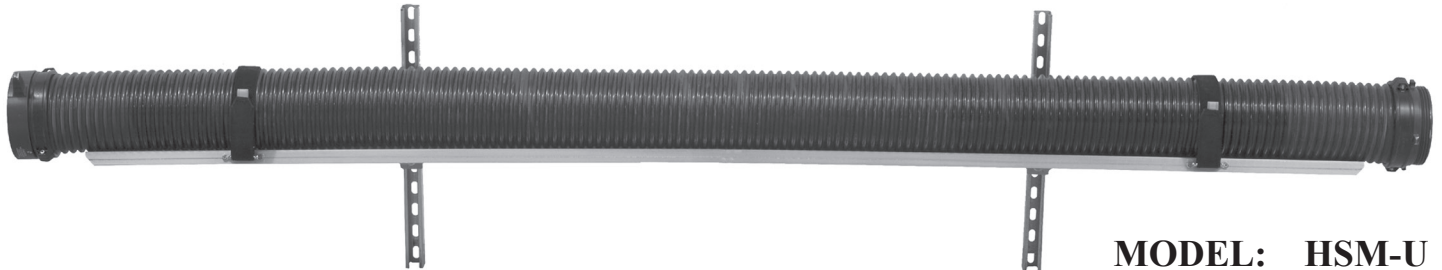
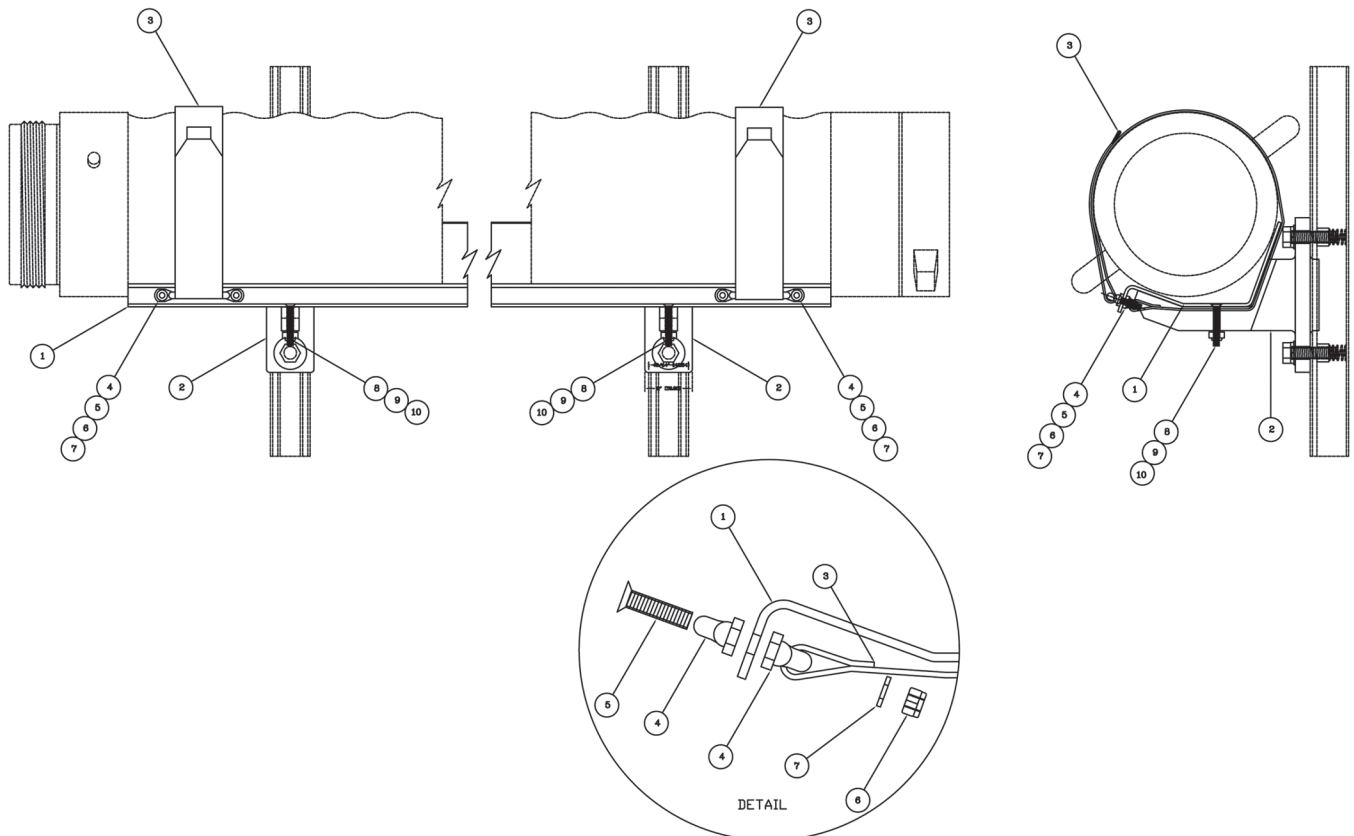


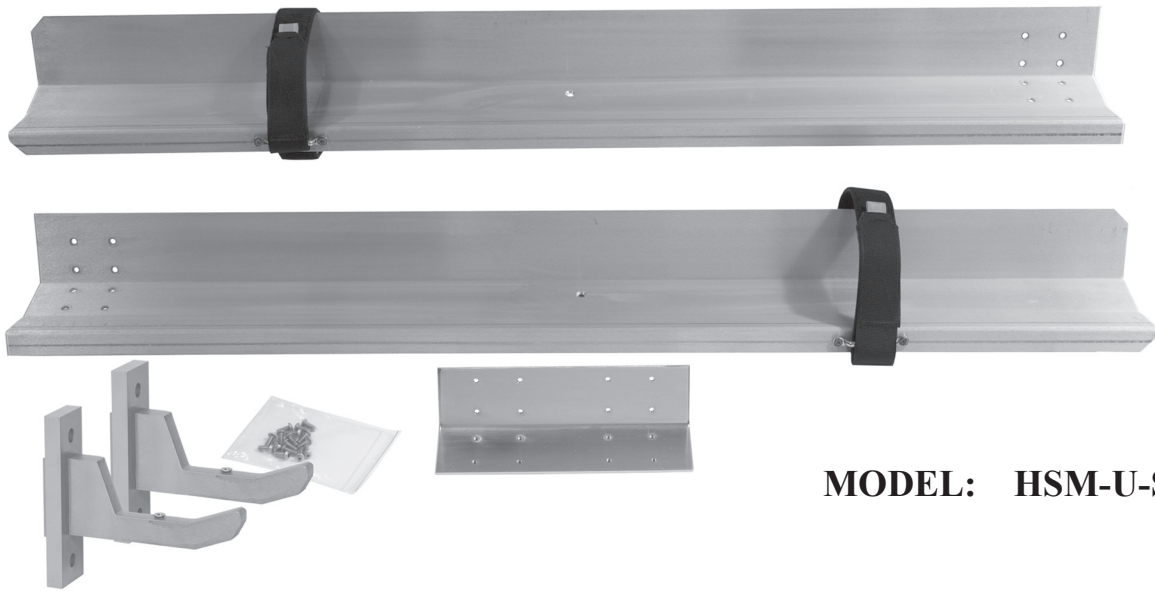
QUIC-MOUNT® HARD SUCTION MOUNTS
PARTS AND INSTRUCTION MANUAL



MODEL: HSM-U

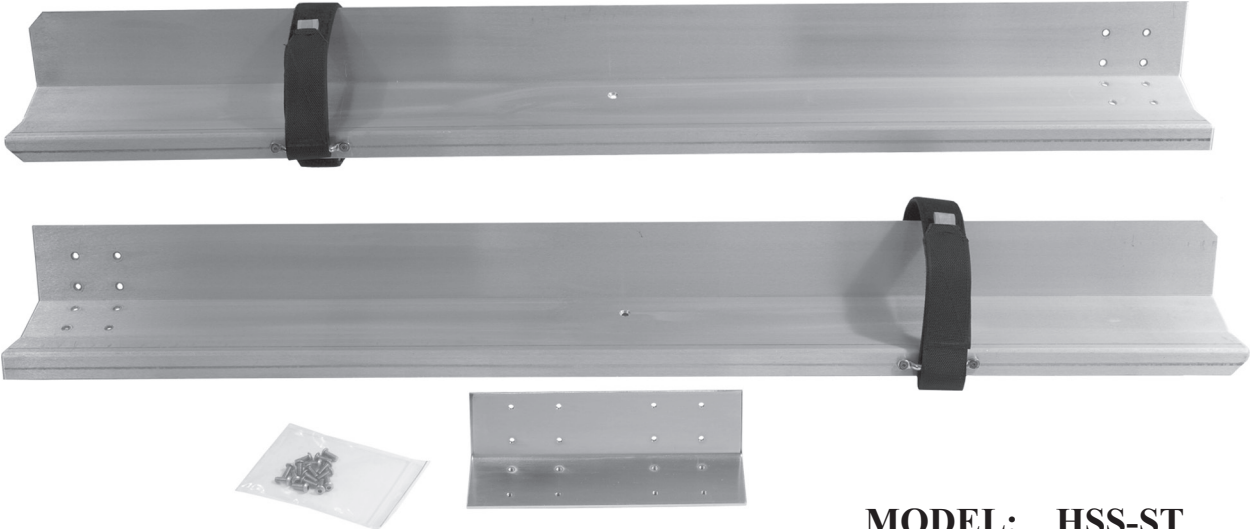
ITEM NO.	PART NO.	DESCRIPTION	QTY.
1	3097-155-101	Tray, Hose, Hard Suction	1
2	3090-165-101	HSS Tray Mounting Bracket	2
3	3099-738-105	Strap, Utility Mounting # UMVS-1625-11	2
4	3099-000-013	Footman Loop, #2 #CPFL000003	4
5	9110-162016	Machine Screw, Flat Head, Phil, S/S, 10-32 x 1"	4
6	9113-172000	Hex Nut, Nyloc, S/S 10-32	4
7	9114-112000	Flat Washer, #10, S/S	4
8	9110-162528	Machine Screw, Flat Head, Phil, S/S 1/4-20 x 1-3/4"	2
9	9113-172500	Hex Nut, Nyloc, S/S, 1/4-20	2
10	9114-112500	Flat Washer, S/S, 1/4" ID	2



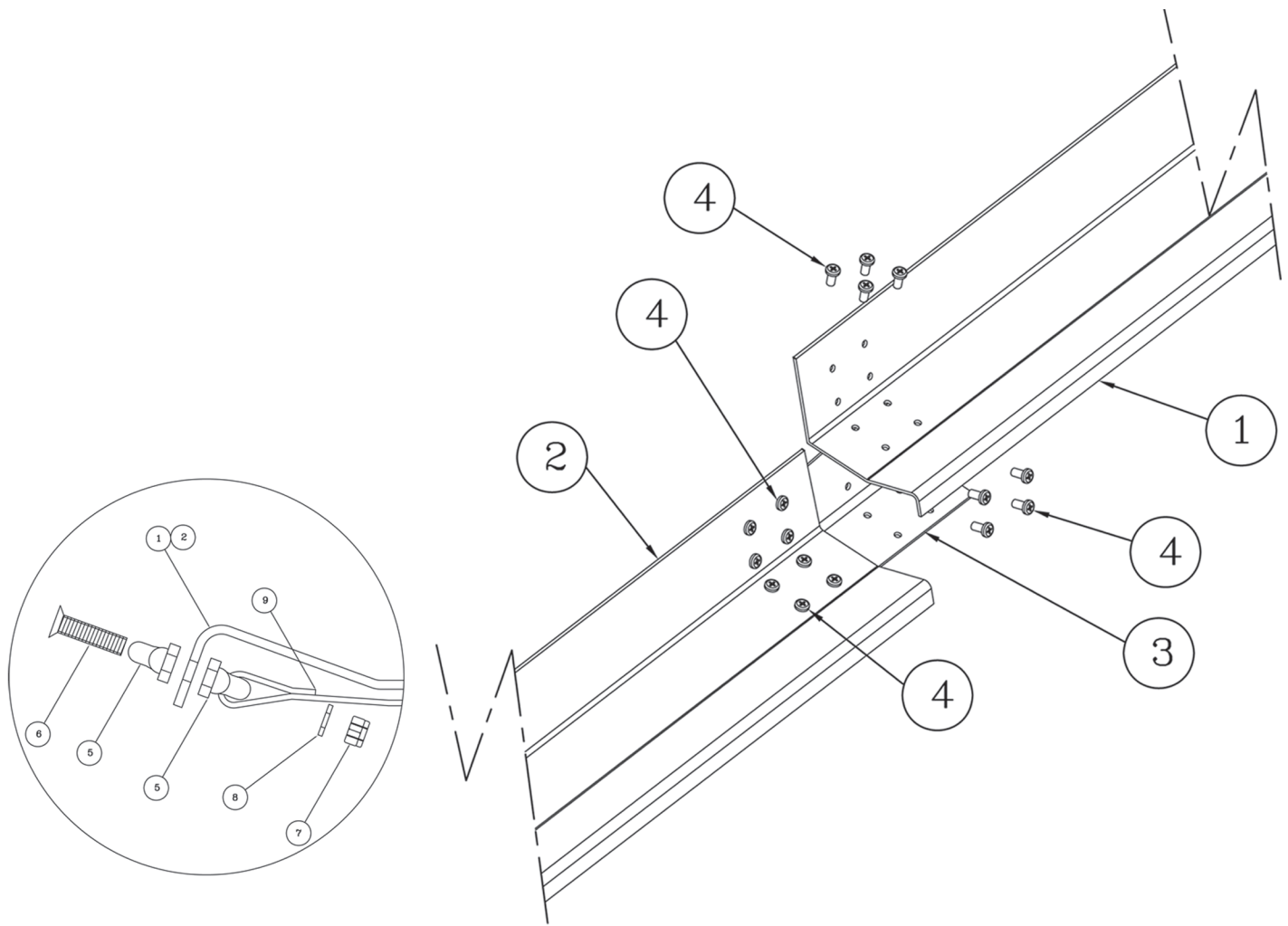


MODEL: HSM-U-ST

ITEM NO.	DESCRIPTION	PART NUMBER	HSM-U-ST QTY.	HSS-ST QTY.
1	Tray, Hard Suction Right	3097-303-101	1	1
2	Tray, Hard Suction Left	3097-303-103	1	1
3	Tray Splice	3097-303-105	1	1
4	1/4-20 x 3/8" Button Head	9110-502506	16	16
5	2" Footman Loop	3099-000-113	4	4
6	10-32 x 1" Flat Hd Phil Screw	9110-162016	4	4
7	10-32 Self-Locking Nut	9113-172000	4	4
8	#10 Flatwasher	9114-111900	4	4
9	Strap, UMVS-1625-11	3099-738-105	2	2
10	1/4-20 x 1-3/4" Flat Hd Phil Screw	9110-162528	2	-
11	1/4-20 Hex Nut, Nylock	9113-172500	2	-
12	1/4" ID Flat Washer	9114-112500	2	-
13	HSS Tray Mount Bracket	3090-165-101	2	-



MODEL: HSS-ST



Split Tray Assembly Instructions:

Use the (16) 1/4"-20 x 3/8" button head screws and a medium thread lock to attach both the left (2) and right (1) hard suction tray sections to the hose tray splice (3).

NOTE: The hose tray splice should be mounted to the bottom of the tray sections.



Ziamatic Corp.

10 West College Avenue, P.O. Box 337, Yardley, PA 19067-0587 • (215) 493-3618 • FAX: (215) 493-1401

*ZICO is a registered trademark for fire, safety and marine products made by Ziamatic Corp.

www.ziamatic.com
TOLL FREE: 800-711-3473

Copyright Ziamatic Corp. 9-12