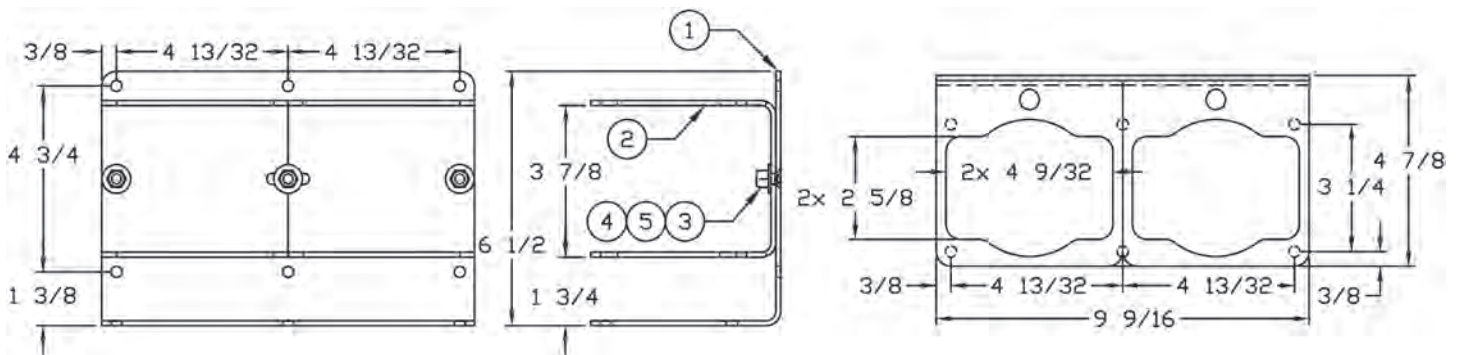
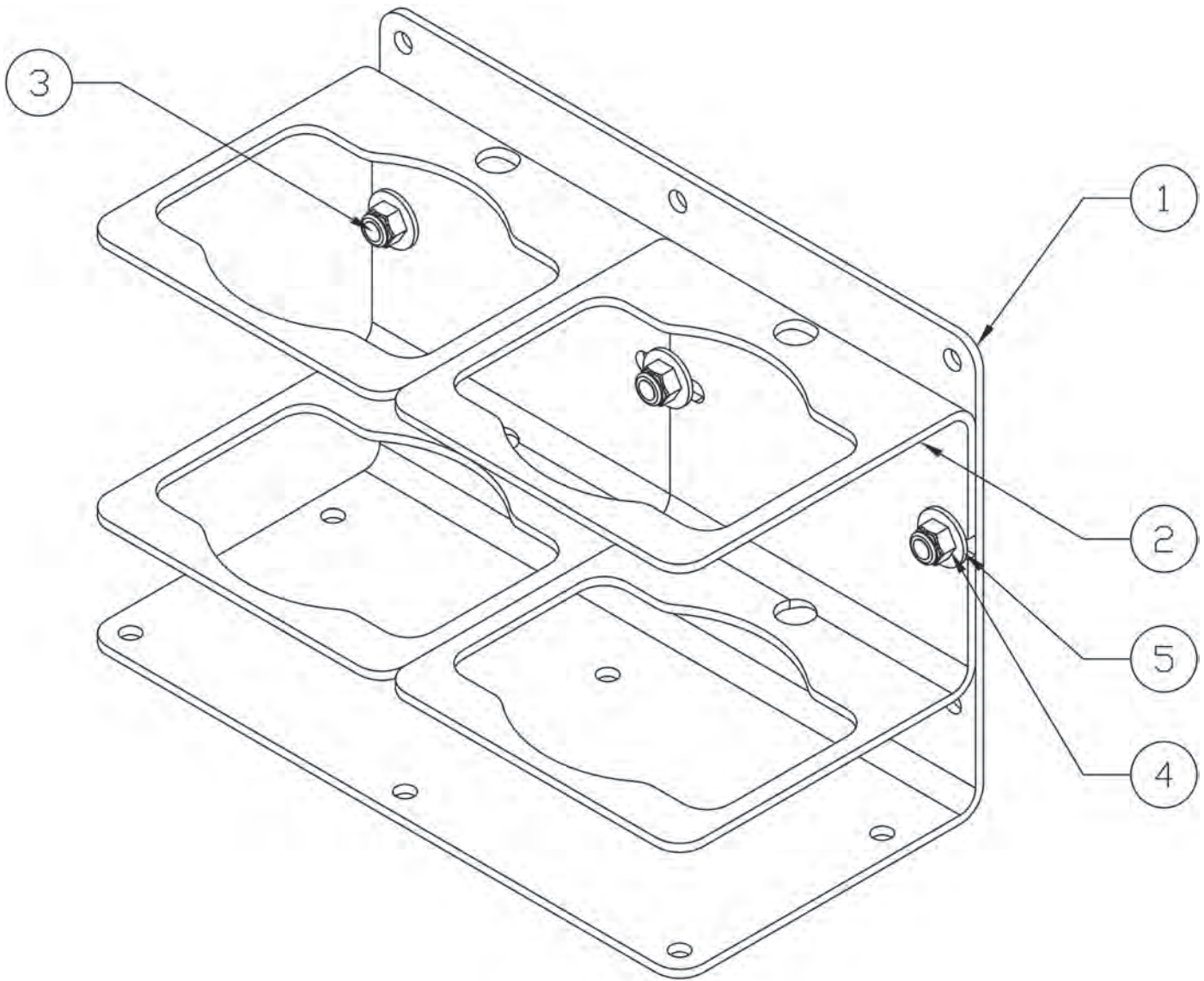


QUIC-MOUNT® DOUBLE PREMIX/BAR CONTAINER HOLDER
MODEL QM-PMH-D
PARTS AND INFORMATION MANUAL



- Heavy-duty, powder-coated steel
- Fits two cylindrical cans up to 32 oz. (3-3/8" dia.), two rectangular 32 oz. (2-5/8" x 4-1/4") quart containers, or a combination of the two
- Small slots behind cans for holding saw wrenches
- Lower risk of rolling, falling, leaking, denting, and puncturing during transport
- Keeps cans organized and easy to locate
- Mount to a flat surface using 1/4" hardware (not included)





ITEM NO.	PART NO.	DESCRIPTION	QTY.
1	3087-233-101	BASE	1
2	3087-227-103	SUPPORT	2
3	9010-462510	1/40-20 X 5/8"L 100° FH TORX SCREW ZINC PLT	3
4	9013-172501	1/4-20 HEX NYLON INSERT LOCK NUT NARROW ZINC PLT	3
5	9014-112500	1/4" FLATWASHER TYPE B PLAIN REGULAR ZINC PLT	3



Ziamatic Corp.

10 West College Avenue, P.O. Box 337, Yardley, PA 19067-0587 • (215) 493-3618 • FAX: (215) 493-1401

*ZICO is a registered trademark for fire, safety and marine products made by Ziamatic Corp.

www.ziamatic.com

TOLL FREE: 800-711-3473

Copyright Ziamatic Corp. 12-16