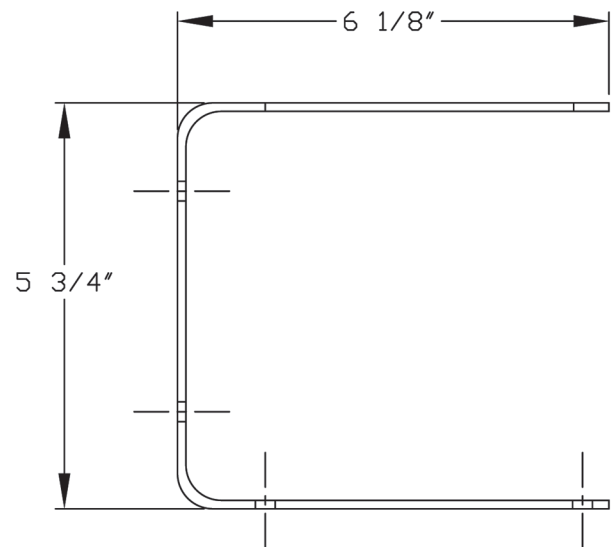
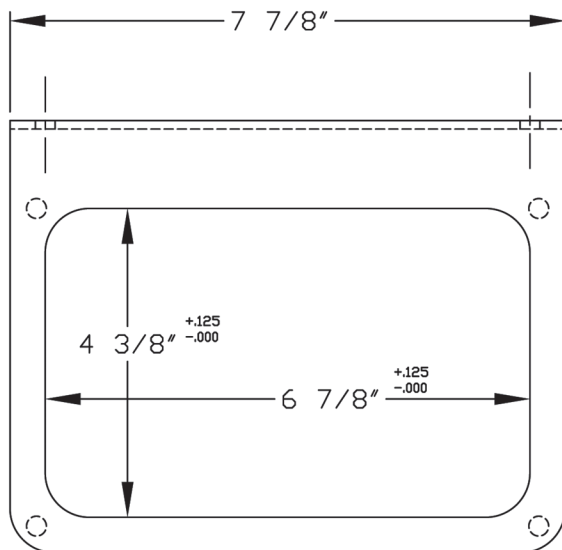


QUIC-MOUNT® PREMIXED GALLON HOLDERS
MODELS QM-PMH-G & QM-PMH-G-B
PARTS AND INFORMATION MANUAL



- Heavy-duty, powder-coated steel
- Fits rectangular cans up to 1 gal. (4.5" x 7")
- Lower risk of falling, leaking, denting, and puncturing during transport
- Keep cans organized and easy to locate
- Mount to a flat surface using 1/4" hardware (not included)



Ziamatic Corp.

10 West College Avenue, P.O. Box 337, Yardley, PA 19067-0587 • (215) 493-3618 • FAX: (215) 493-1401

www.ziamatic.com

TOLL FREE: 800-711-3473

*ZICO is a registered trademark for fire, safety and marine products made by Ziamatic Corp.

Copyright Ziamatic Corp. 9-18