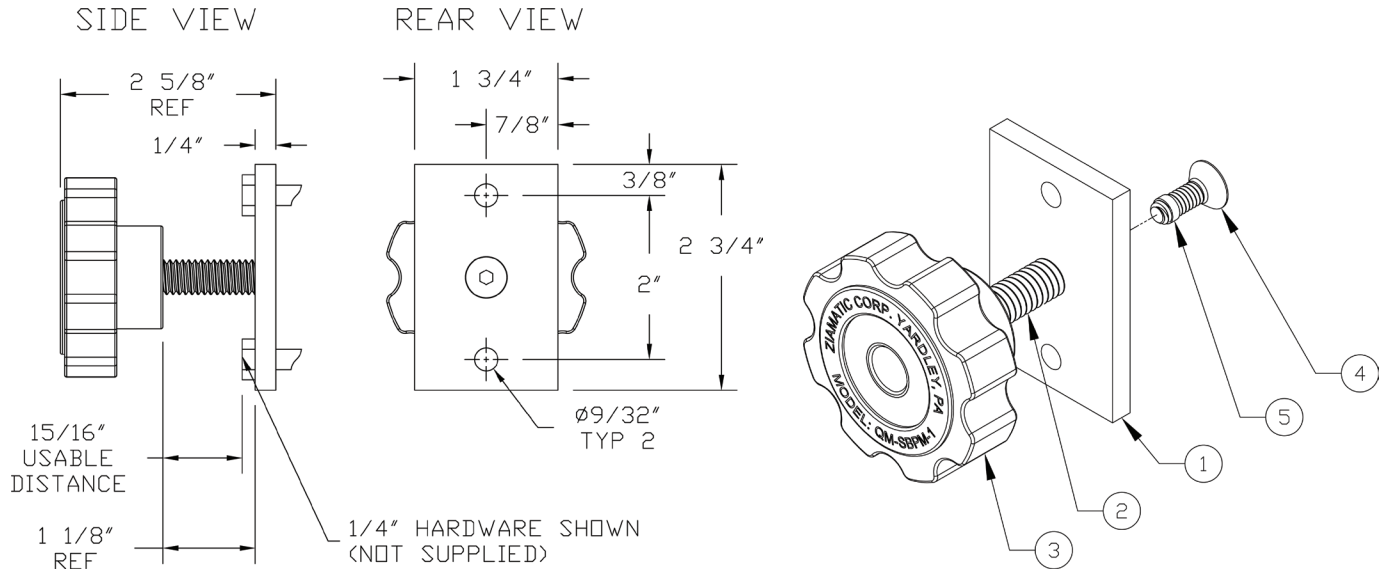


**QUIC-MOUNT® Saw Blade Post Mount - 1/2" Dia.  
MODEL QM-SBPM-1  
PARTS AND INSTRUCTION MANUAL**



MODEL	DESCRIPTION	WT./@ IN LBS.
QM-SBPM-1	Saw Blade Post Mount - 1/2" Dia. Post	.35

ITEM	PART NO.	DESCRIPTION	QTY.
1	3087-258-101	Base	1
2	3087-258-103	Post, $\phi$ 1/2-13 Threaded Rod	1
3	3087-258-111	Knob, $\phi$ 1/2-13	1
4	9010-362514	Screw, 1/4 - 20 x 3/4 Flat Socket Cap HD, 82° ZPS	1
5	0000-000-122	Thread Lock, Red	1

### **Mounting Instructions:**

1. Select a mounting location with enough clearance for the largest diameter saw blade to be easily stored and removed from the Saw Blade Post Mount assembly. Mark the center hole of the saw blade and set saw blades aside.
2. Position the Saw Blade Post Mount assembly at the marked center hole location.
3. Mount the assembly using 1/4" hardware (not supplied).

*Note: Using 1/4" hex head fasteners as opposed to flat head fasteners may help keep sharp blades/teeth further away from the wall surface. For this reason, the Base (1) has not been designed with countersunk holes.*

### **Operating Instructions:**

To Stow:

1. Slide blades to be stored onto the Post (2).
2. Turn Knob (3) clockwise onto the Post and tighten against outer most blade.

To Release:

1. Turn Knob counterclockwise and remove from Post.
2. Remove blades as needed.



**Ziamatic Corp.**

10 West College Avenue, P.O. Box 337, Yardley, PA 19067-0587 • (215) 493-3618 • FAX: (215) 493-1401

[www.ziamatic.com](http://www.ziamatic.com)

TOLL FREE: 800-711-3473

\*ZICO is a registered trademark for fire, safety and marine products made by Ziamatic Corp.

Copyright Ziamatic Corp. 4-21