

QUIC-MOUNT SAW BLADE HOLDER
MODEL QM-SBH
PARTS AND INSTRUCTION MANUAL

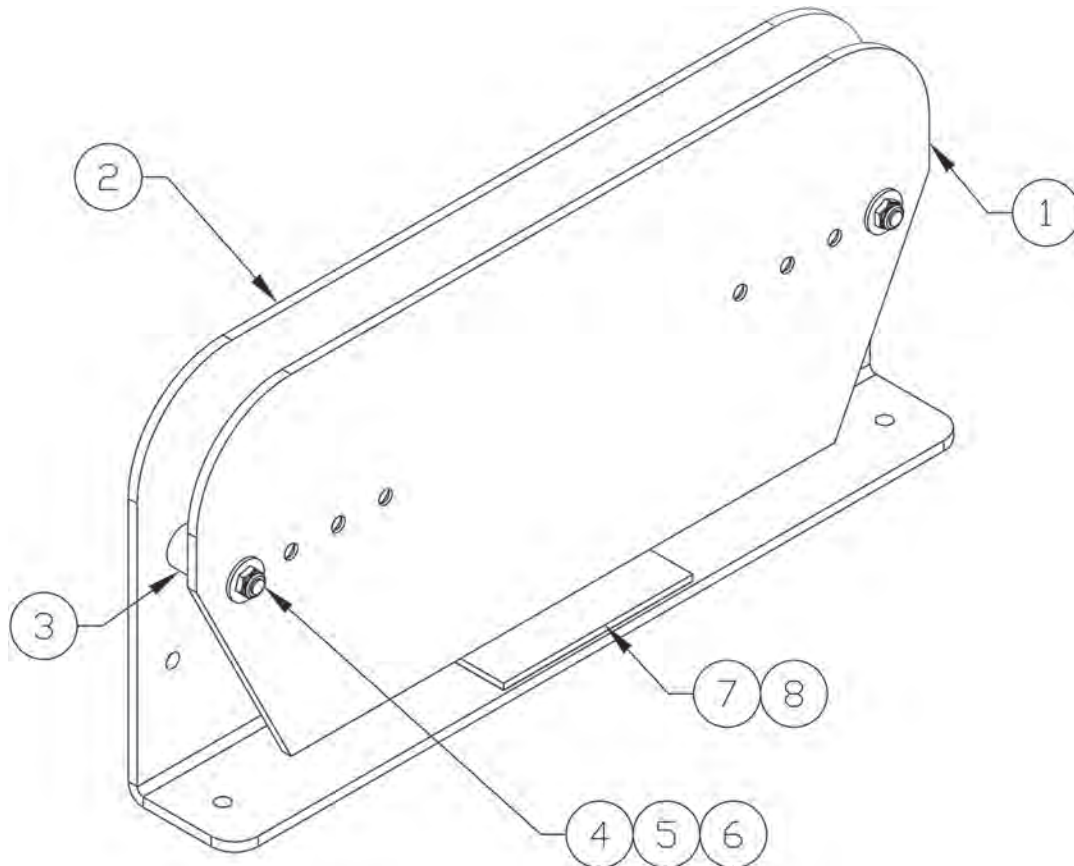


FIGURE 1

MODEL	DESCRIPTION	WT./@ IN LBS.
QM-SBH	Saw Blade Holder - One Slot	4.6
QM-SBH-AS	Additional Slot Kit	1.5

ITEM	PART #	DESCRIPTION	QTY.
1	3087-250-101	Blade Box Flat Plate	1
2	3087-250-103	Blade Box Outer	1
3	3087-250-105	Spacer	2
4	9010-162828	1/4-20 x 1-3/4" Flat Head Phil	2
5	9113-172501	1/4-20 Low Profile Nut	2
6	9014-112500	1/4 ID Flat Washer	2
7	3097-105-116	Pad, 2" x 4"	1
8	3097-105-161	Adhesive, 2" x 4"	1

BLADE Ø	SPACER PIN #'S	APPROX HEIGHT
10	3 & 3	11 3/4
12	2 & 2	13
14	2 & 2	15 7/8
16	1 & 1	17 3/16
18	1 & 1	19 3/4
20	1 & 1	22 1/8

FOR AN EXAMPLE, THE FIGURE BELOW SHOWS A
 Ø10" SAW BLADE AT SPACER PIN #'S 3 & 3

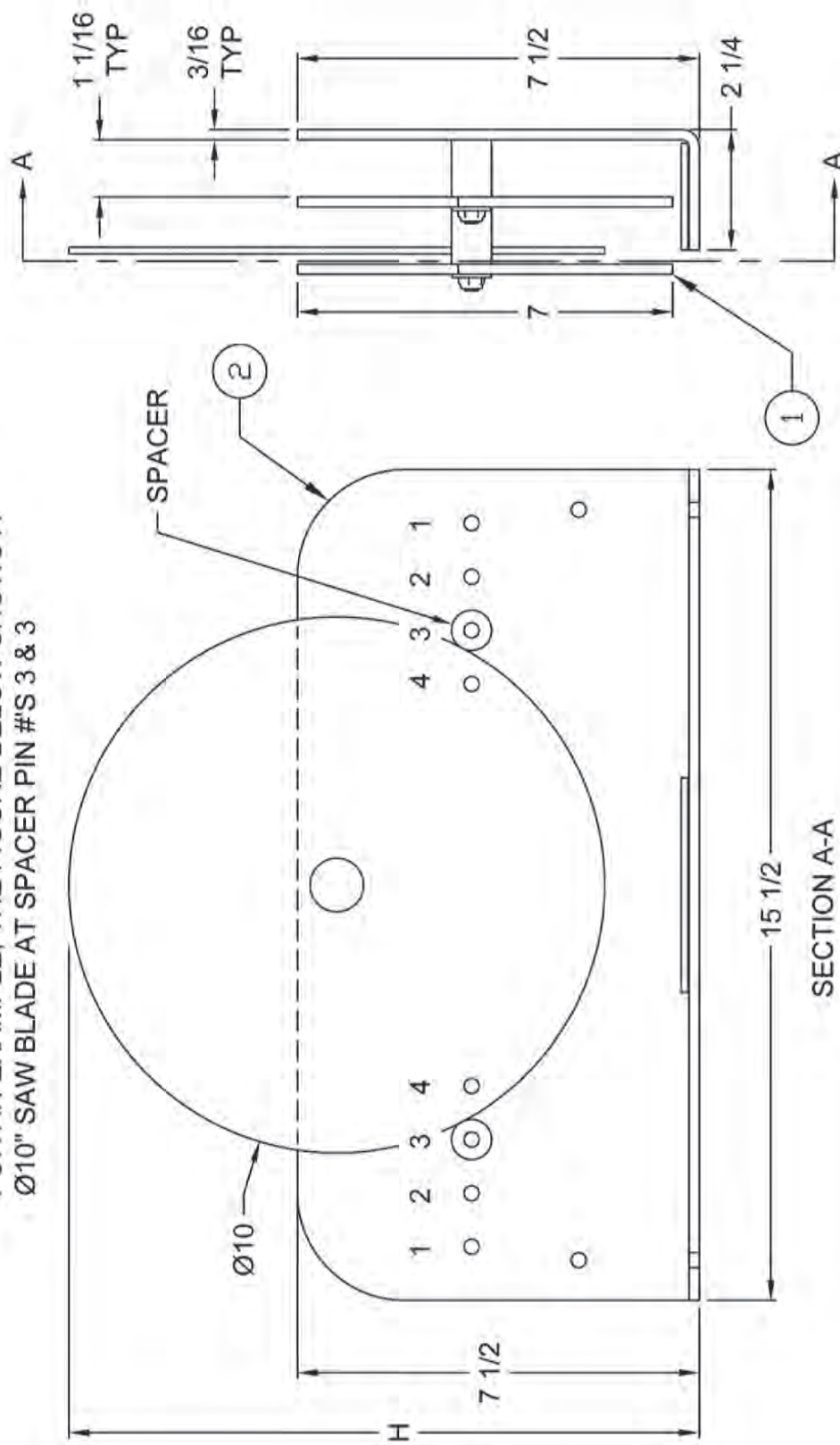


FIGURE 2

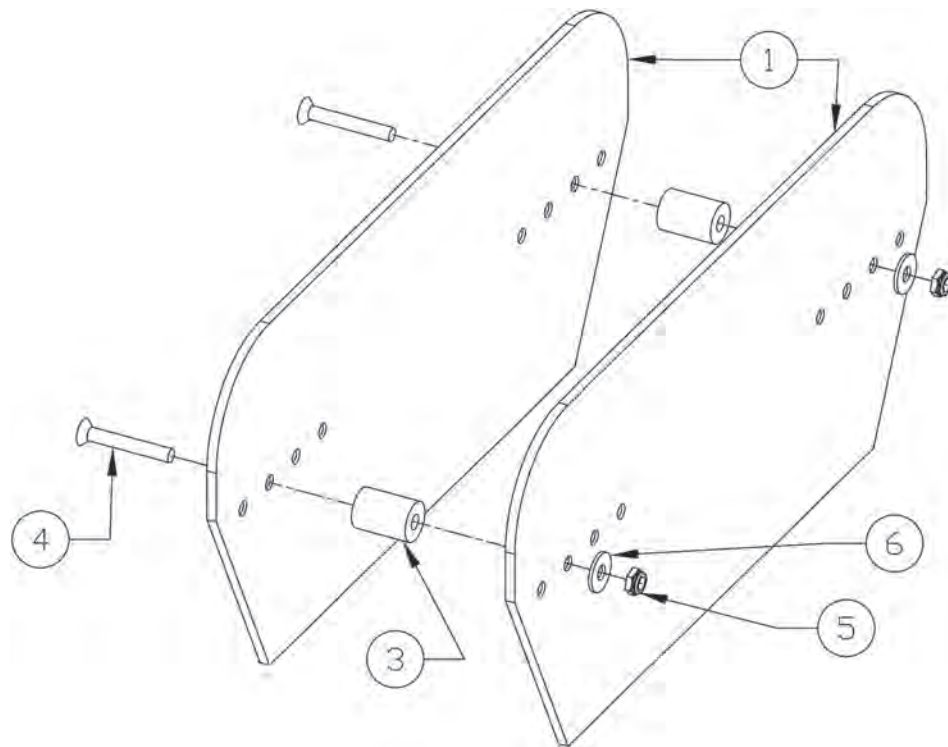


FIGURE 3

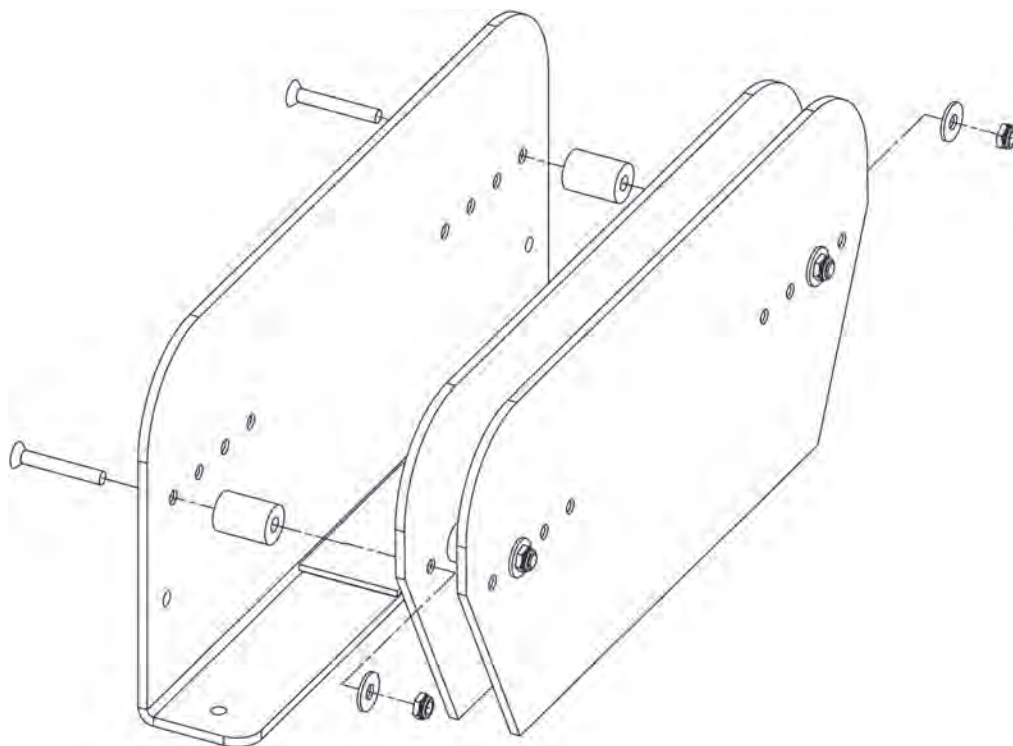


FIGURE 4

Assembling the Saw Blade Holder

1. See Figure 2. Plan out spacer location based on the diameter of the saw blade you'd like to store. If more than one storage slot is going to be used, plan to have the blades in a tiered arrangement from largest to smallest. The smallest saw blades will be stored furthest from the Blade Box Outer Panel (Figure 1, Item 2).

Note: If only one slot will be needed, see Figure 1 for assembly, then skip to Step 4.

2. Assemble additional storage slot(s) as shown in Figure 3.
3. Attach the storage slot(s) assembled in Step 2 to the Blade Outer Box Panel (Figure 1, Item 2). See Figure 4.
4. Mount assembled Saw Blade Holder using 1/4" hardware via the holes in Blade Box Outer Panel (Figure 1, Item 2).



Ziamatic Corp.

10 West College Avenue, P.O. Box 337, Yardley, PA 19067-0587 • (215) 493-3618 • FAX: (215) 493-1401

www.ziamatic.com

TOLL FREE: 800-711-3473

*ZIGCO is a registered trademark for fire, safety and marine products made by Ziamatic Corp.

Copyright Ziamatic Corp. 5-16