

FORCIBLE ENTRY DOOR BREACHING KIT & MOUNTS

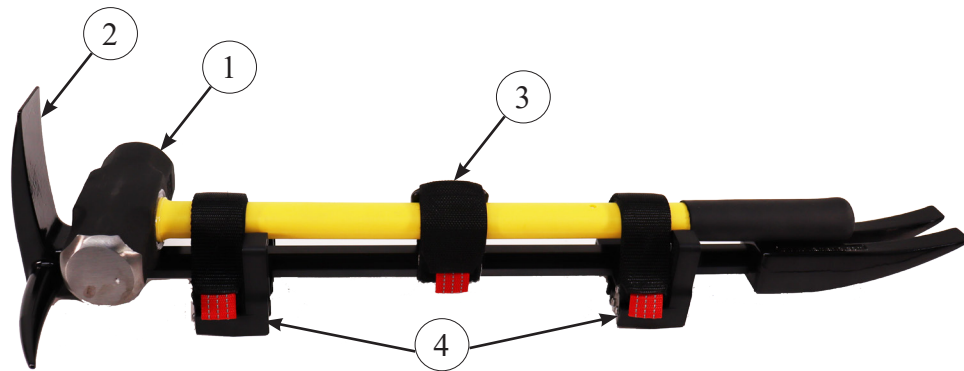
MODELS

FE-DB-1 (TOOLS AND MOUNTS)

FE-DB-MK (LESS TOOLS)

PARTS AND INSTRUCTION MANUAL

- Provides quick and easy access to locked or barricaded areas during emergency situations.
- The Quic-Bar and sledge hammer can be used together to effectively breach most types of doors, including solid wood, metal, and steel-reinforced doors.
- Includes two Sure-Grip storage mounts, allowing for easy and secure storage in a vehicle or on a wall, providing quick access in case of emergency.



Model FE-DB-1

(Shown above)

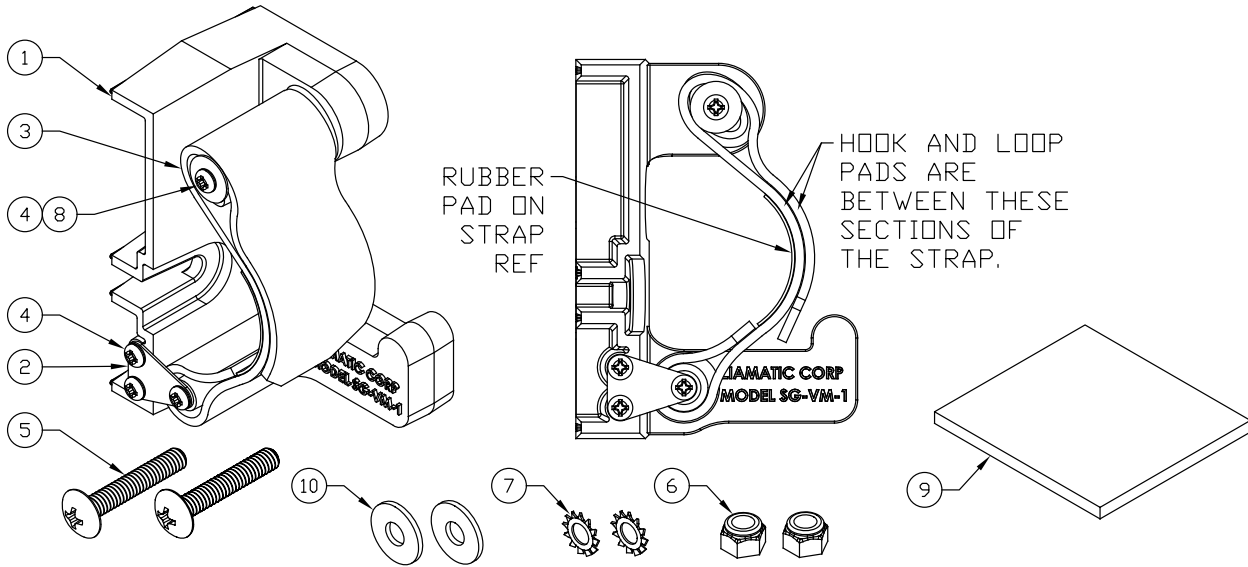
ITEM	MODEL NUMBER	DESCRIPTION	QTY.
1	BD-8-24	8# Double-Face Sledge w/ 24" Handle	1
2	SQB-300-B	30" Quic-Bar Tool- Black	1
3	UMVS-0811-11	8" to 11" Variable Strap	1
4	3085-570-905	Sure-Grip Bracket w/ FE-DB Strap	2

Model FE-DB-MK

Mounting Kit

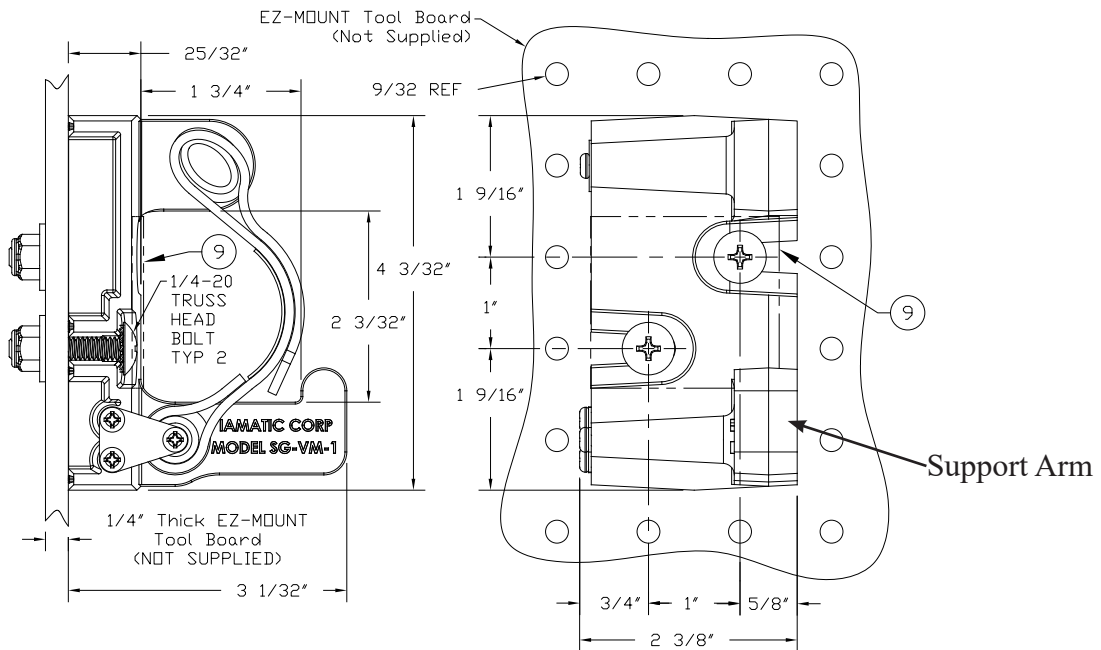
ITEM	MODEL NUMBER	DESCRIPTION	QTY.
1	UMVS-0811-11	8" to 11" Variable Strap	1
2	3085-570-905	Sure-Grip Bracket w/ FE-DB Strap	2

PARTS LIST



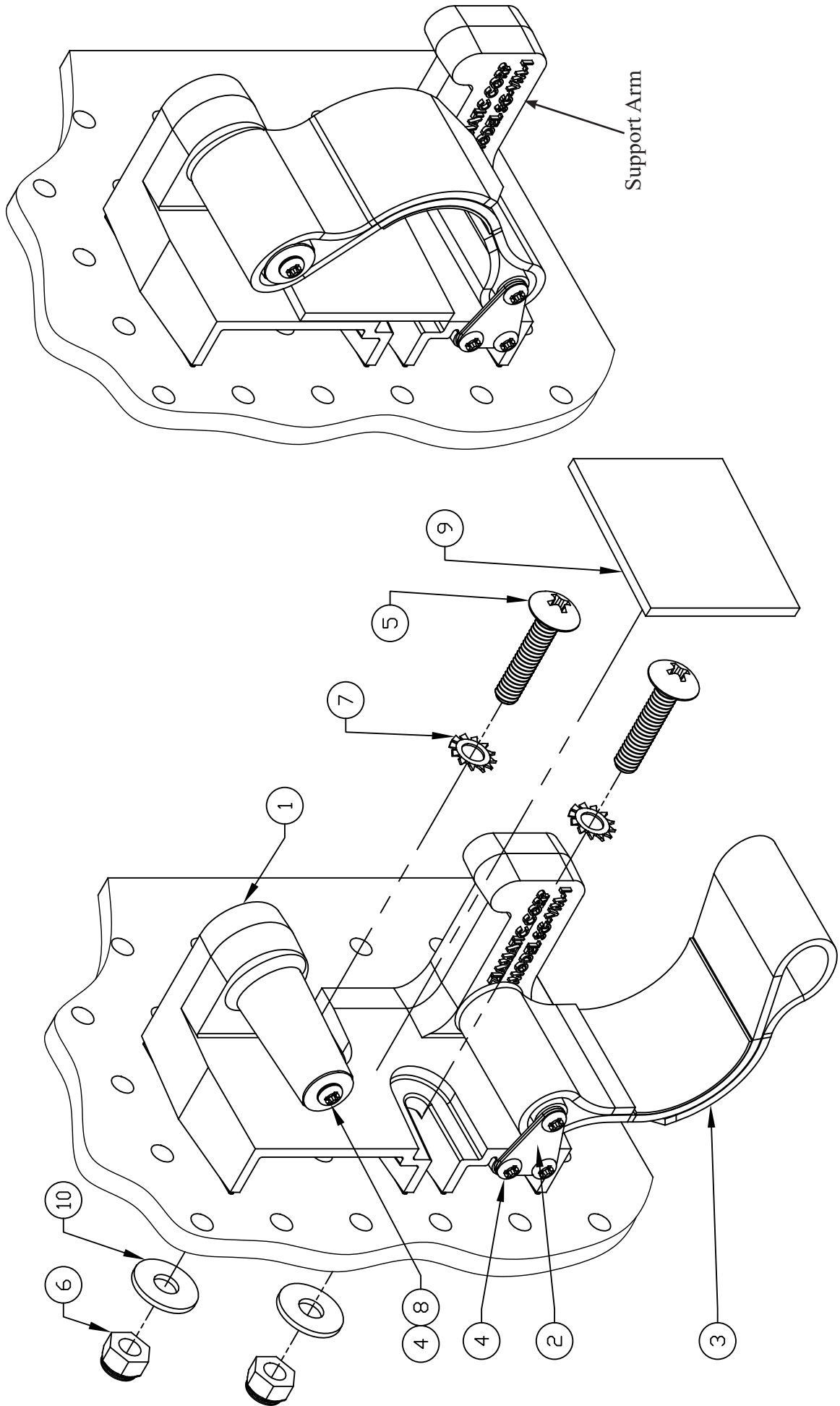
ITEM	PART NUMBER	DESCRIPTION	QTY
1	3085-500-105	SURE GRIP BASE	1
2	3085-500-107	STRAP PLATE	1
3	3085-570-105	STRAP,VARIABLE, BLACK	1
4	3085-515-109	SCREW, 6-20X3/8" RND HD	4
5	9125-191306	SCREW, 1/4-20X1-1/4 TRUSS HEAD	2
6	9010-172500	LOCKNUT, 1/4-20, THIN	2
7	9114-161300	LOCK WASHER, 1/4" EXT TOOTH	2
8	9014-262500	FENDER WASHER, #6	1
9	3085-500-901	PAD WITH ADHESIVE	1
10	9014-112500	FLAT WASHER, 1/4"	2

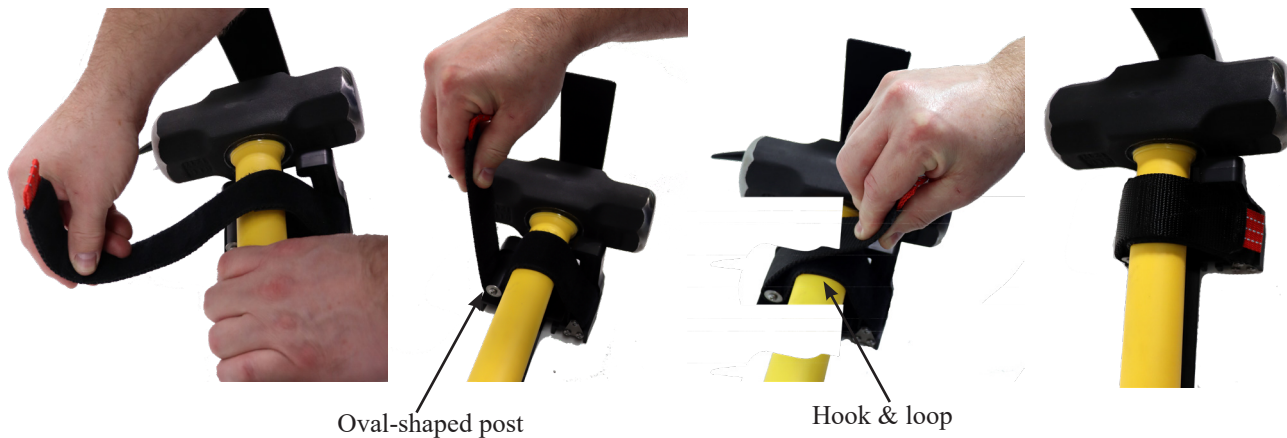
MOUNTING DIMENSIONS



STRAP REMOVED TO SHOW TYPICAL SCREW MOUNTING POSITIONS

TYPICAL MOUNTING





Note: Part numbers shown in parentheses

I. INSTALLATION *See page 2 & 3 for mounting*

1. The support arm on the Base (1) should be positioned toward the bottom of the compartment, in both horizontal and vertical storage configurations.
2. It is suggested to place the mounts near the tool heads to allow for quicker and easier operation (as shown on page 1).
3. Attach Base to mounting surface using Truss Head Screws (5) combined with 1/4" nuts (6) and washers (8)(10). If longer screws are needed, use low profile truss head screws.
4. Adhere the Pad (9) to the flat portion of Base (see Page 2).

II. SECURING THE TOOLS *(Shown above)*

1. Place both tools together as shown on page 1 and secure together with the UMVS-0811-11(3) strap around the center of the handles.
2. Place and hold the tools against the Base. When in a horizontal configuration, the support arm may be used for assistance and stability.
3. Place the Strap (3) over the tools. Slide it behind the oval-shaped post from the side.
4. While maintaining tension on the strap, pull away from the Base to tighten, then connect the hook pad and the loop pad to secure.

III. REMOVING THE TOOLS FROM MOUNTS

1. Grab the end of the strap at the red tab and pull away from the base to release the hook & loop connection.
2. Pull the tool towards you, through the loosened strap. Strap will free itself as you pull.

IV. SEPERATE THE TOOLS *(Page 1)*

1. Grab the red tab of the UMVS-0811-11(3) strap, pull and release the hook and loop connection to remove the strap.



Ziamatic Corp.

10 West College Avenue, P.O. Box 337, Yardley, PA 19067-0587 • (215) 493-3618 • FAX: (215) 493-1401

*ZICO is a registered trademark for fire, safety and marine products made by Ziamatic Corp.

www.ziamatic.com
TOLL FREE: 800-711-3473

Copyright Ziamatic Corp. 3-23