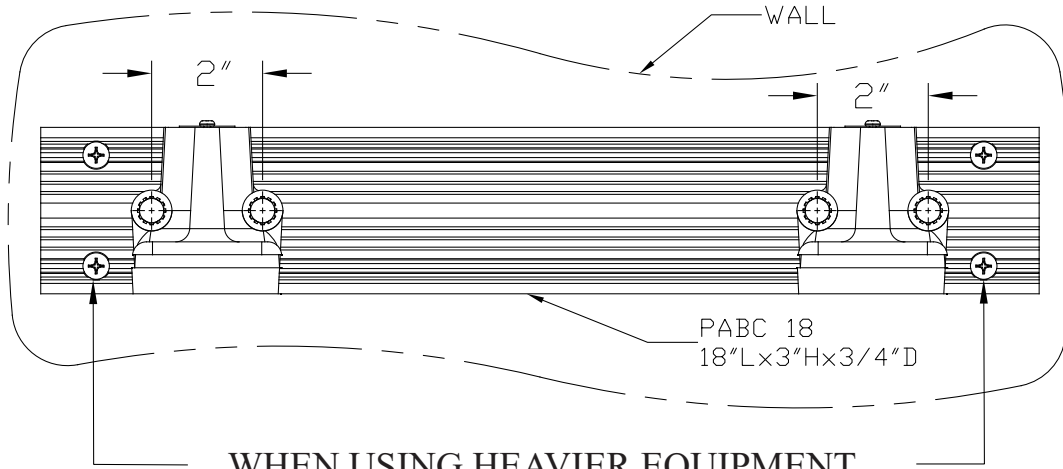


**SURE-GRIP ADJUSTABLE TOOL MOUNTS****MODEL:**

- **SG-VM-A-1625 SURE GRIP ADJUSTABLE BRACKET WITH STRAP AND ADJUSTABLE PLASTIC BASE CHANNEL**
- **SG-VM-A-LS SURE GRIP ADJUSTABLE BRACKET LESS STRAP**
- **SG-VM-A-LSC SURE GRIP ADJUSTABLE BRACKET LESS STRAP AND BASE CHANNEL**

**SG-VM-A-1625****SG-VM-A-LS****SG-VM-A-LSC**

Front View  
(Strap removed for clarity)



WHEN USING HEAVIER EQUIPMENT,  
We recommend the hardware securing the PABC-18  
be as close to the Sure-Grips as possible for  
maximum support

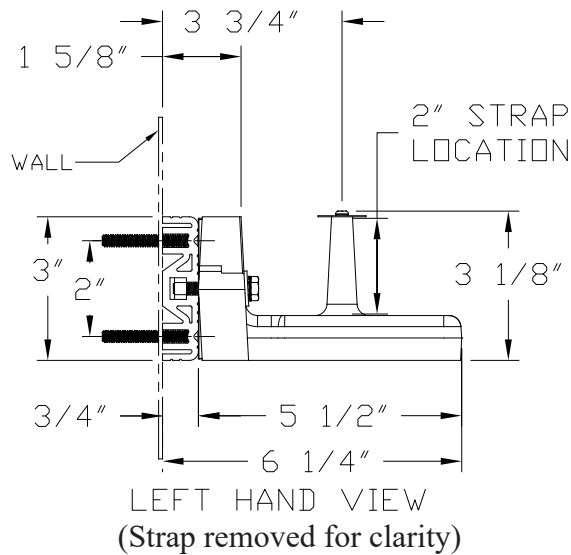
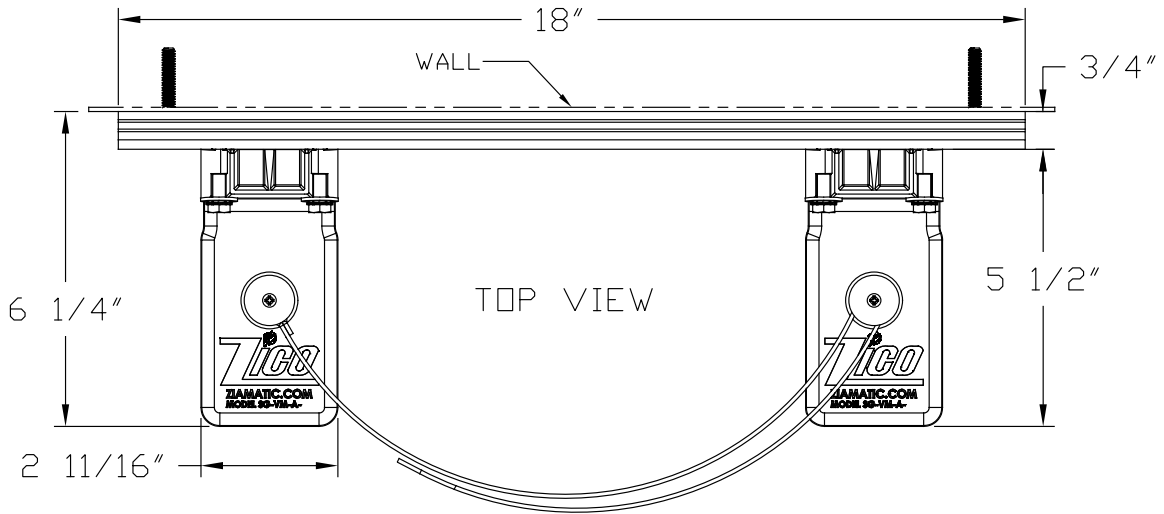
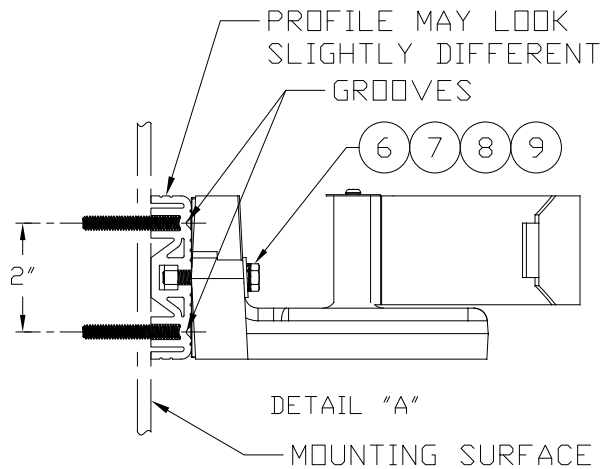
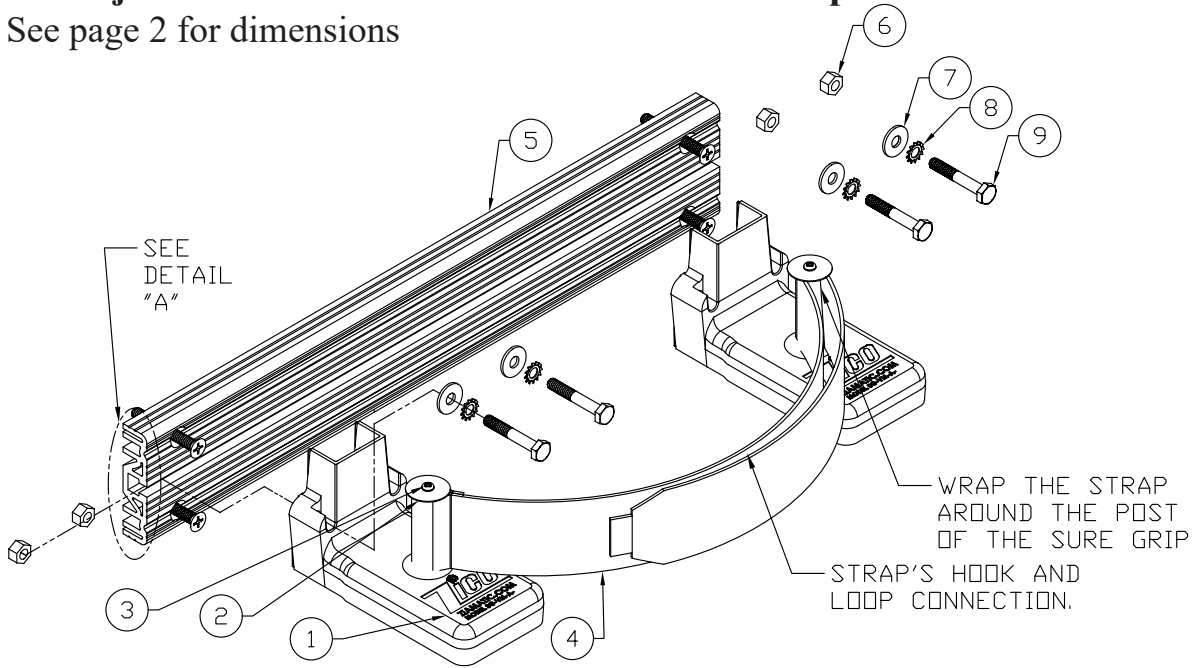


Figure 1  
**Model: SG-VM-A-1625**

**Adjustable Bracket with UMVS-1625-11 strap and Plastic Base Channel**

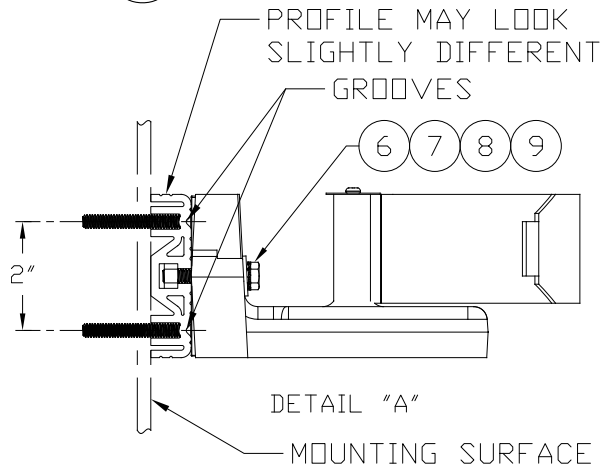
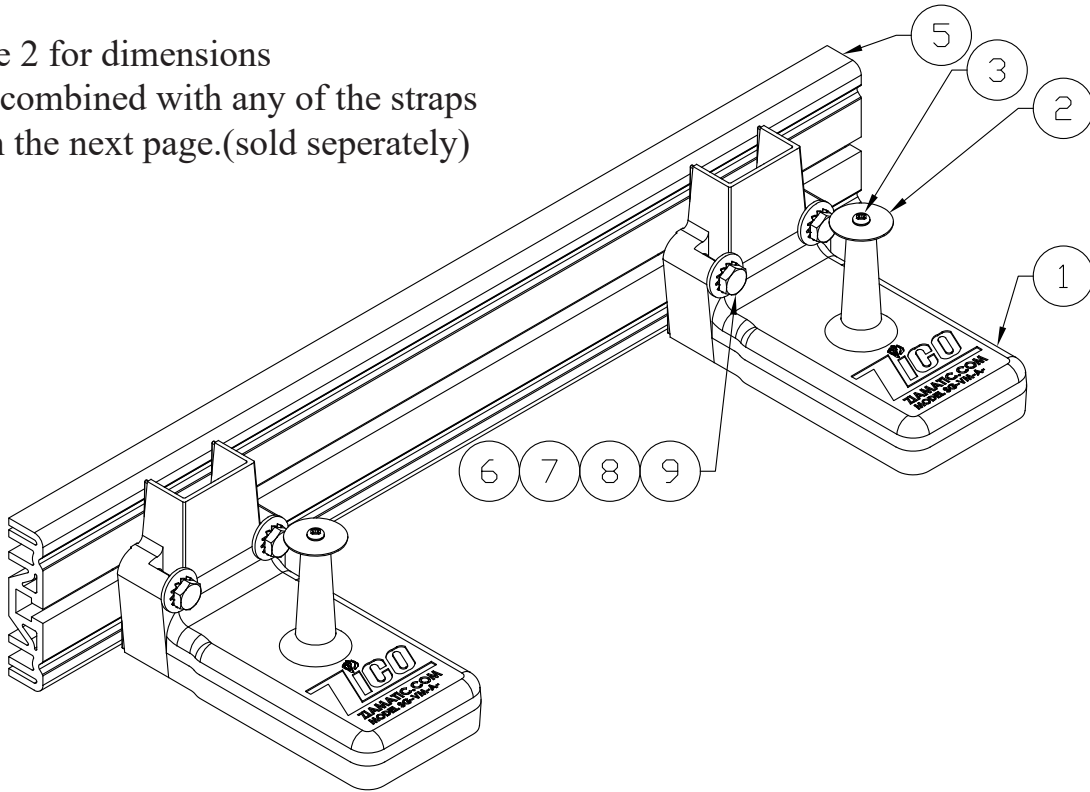
- See page 2 for dimensions



ITEM	PN	DESCRIPTION	QTY
1	3085-530-101	SURE GRIP ADJUSTABLE	2
2	9114-161600	FENDER WASHER, #8 X 1.000 O.D. S/S	2
3	9125-191306	SCREW, #6-20 x 3/8", PLASTIC THREAD CUTTING, SS, 94629A70	2
4	UMVS-1625-11	STRAP	1
5	PABC-18	PLASTIC ADJUSTABLE BASE CHANNEL, 18" LONG	1
6	9012-102500	NUT, 1/4-20 HEX HD, ZPS	4
7	9014-112500	FLAT WASHER, Ø1/4" ZPS	4
8	9014-262500	LOCK WASHER, 1/4" EXTERNAL TOOTH ZPS	4
9	9010-102526	SCREW, 1/4-20x1 5/8" HEX HD ZPS	4

**Model: SG-VM-A-LS**  
**Adjustable Bracket with 18" Plastic Channel- no strap**

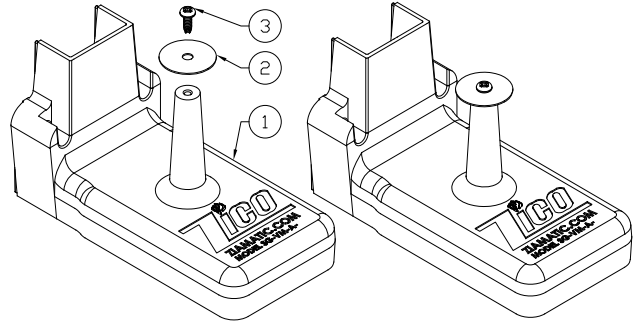
- See page 2 for dimensions
- May be combined with any of the straps listed on the next page.(sold seperately)



ITEM	PN	DESCRIPTION	QTY
1	3085-530-101	SURE GRIP ADJUSTABLE	2
2	9114-161600	FENDER WASHER, #8 X 1.000 O.D. S/S	2
3	9125-191306	SCREW, #6-20 x 3/8", PLASTIC THREAD CUTTING, SS, 94629A70	2
5	PABC-18	PLASTIC ADJUSTABLE BASE CHANNEL, 18" LONG	1
6	9012-102500	NUT, 1/4-20 HEX HD, ZPS	4
7	9014-112500	FLAT WASHER, Ø1/4" ZPS	4
8	9014-262500	LOCK WASHER, 1/4" EXTERNAL TOOTH ZPS	4
9	9010-102526	SCREW, 1/4-20x1 5/8" HEX HD ZPS	4

**Model: SG-VM-A-LSC**  
**Adjustable Bracket- no strap or channel**  
**Set of two**

- See page 2 for dimensions
- May be combined with any of the straps listed below. (sold separately)
- Multiple bracket sets may be used with PABC-72. (sold separately)



ITEM	PN	DESCRIPTION	QTY
1	3085-530-101	SURE GRIP ADJUSTABLE	2
2	9114-161600	FENDER WASHER, #8 X 1.000 O.D. S/S	2
3	9125-191306	SCREW, #6-20 x 3/8", PLASTIC THREAD CUTTING, SS, 94629A70	2

The following straps may be selected to use with models  
 SG-VM-A-LS or SG-VM-A-LSC

Model	Description	Best Grip Range
UMVS-0565-11	5 to 6-1/2" Variable Strap	5.5" - 6.25"
UMVS-0811-11	8 to 11" Variable Strap	7.5 - 10.75"
UMVS-1116-11	11 to 16" Variable Strap	9.25 - 14.63"
UMVS-2544-11	25 to 44" Variable Strap	25 - 44"

*Item numbers shown in parentheses ( )*

Note: When selecting the mounting location, the weight of the tools to be secured should be taken into consideration, backing supports or other reinforcement may be required. Supports or reinforcement should be able to withstand the effort needed to remove the tool from the Sure-Grips.

For Model: SG-VM-A-LSC

When not using the Plastic Adjustable Base Channel (PABC-18), use Ø1/4" hardware (not supplied) when mounting Sure-Grips directly to the compartment wall.

Instructions for Models: SG-VM-A-1625 or SG-VM-A-LS

## **I. Mounting:**

**Note:** We recommend the mounting hardware securing the PABC-18 be as close to the Sure-Grips as possible for maximum support.

1. Loosely fasten the Sure-Grips (1) to the PABC-18 (5) by using the supplied hardware as shown on Figure 1. Sure-Grips should be on the PABC-18 prior to compartment wall mounting for easier adjustment later. You may adjust the Sure Grips out of the way for clearance when mounting the PABC-18.
2. To mount the PABC-18 (5) to the vehicle, we suggest using Ø1/4" Flat Head Screws and associated hardware (not supplied). Drill and countersink a minimum of 4 holes using the grooves of the PABC-18 (holes should be located to align with compartment structure, reinforce where necessary). See Figure 1.  
**Note:** PABC-18 grooves are 2" apart for use with pegboards using 1" hole spacing.  
See Figure 1, Detail "A".
3. Position the Sure-Grips (1) to the width of the tool so that they contact the side of the equipment. Secure the Sure-Grips to the PABC-18.
4. The strap (4) can be changed for left-hand or right-hand use. To change the strap to the other side, remove the screw (3) and washer (2), slide the strap (4) off of the post of the Sure-Grip Adjustable (1) and secure to the opposite side.

## **II. Securing the Tool**

*Figure 2 shows an example of secured equipment.*

*Figure 3 shows how to properly secure the tool with the Adjustable Sure-Grips (1).*

1. Place and hold the Tool against PABC-18 (5).
2. Place the Strap (4) across the tool.
3. Wrap the Strap around the post of the opposite Sure-Grip Adjustable (1).
4. While maintaining tension on the Strap, pull away from the Sure-Grip to tighten, then connect the hook and the loop of the Strap (4) to secure the tool.

## **III. Removing The Tool**

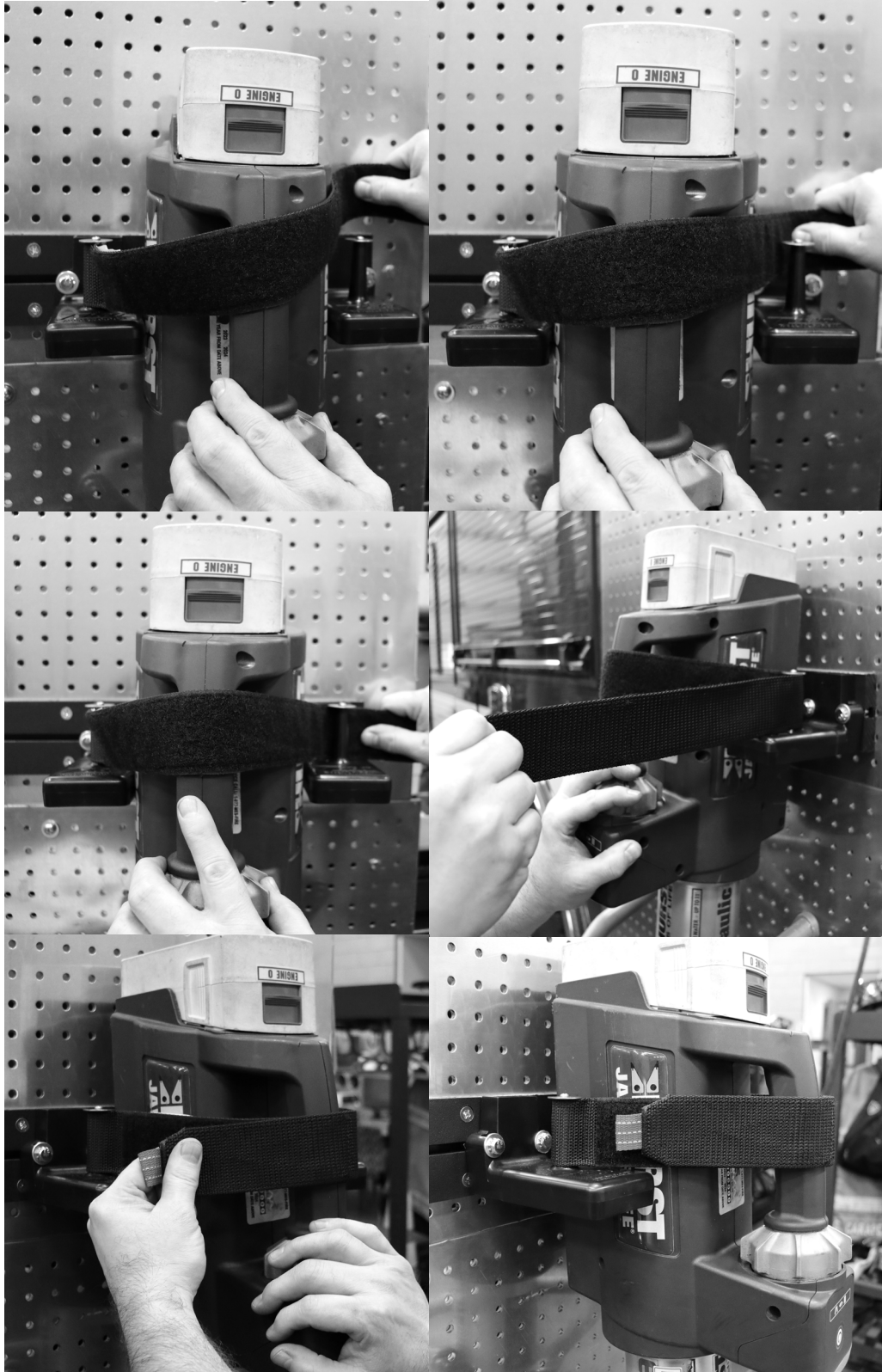
1. Grab the end of the Strap where the red tab is located.
2. Pull the strap away from the bracket/tool to release the hook and loop connection.
3. Pull the tool towards you, through the loosened strap. The Strap will free itself as you pull the tool towards you.

Figure 2  
Secured Equipment Sample



Shown with the Zico Heavy Rescue Tool Mount.  
(sold separately)

Figure 3  
Stowing Equipment



*Ziamatic Corp.*

10 West College Avenue, P.O. Box 337, Yardley, PA 19067-0587 • (215) 493-3618 • FAX: (215) 493-1401

\*ZICO is a registered trademark for fire, safety and marine products made by Ziamatic Corp.

[www.ziamatic.com](http://www.ziamatic.com)  
TOLL FREE: 800-711-3473

Copyright Ziamatic Corp. 1-23