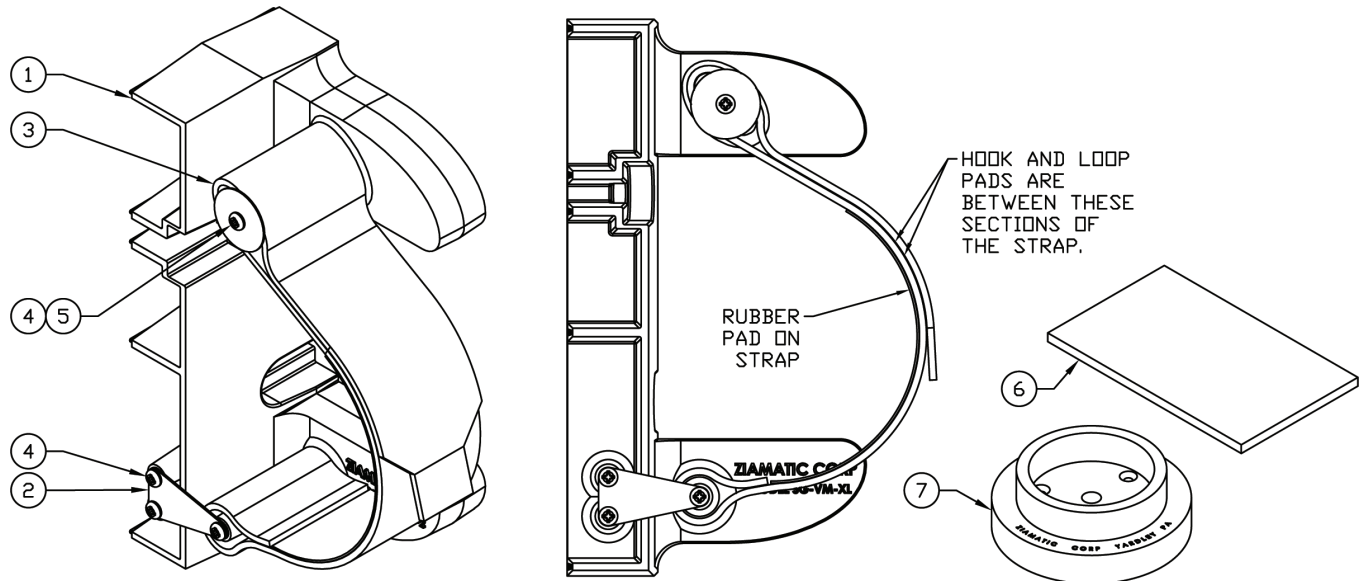


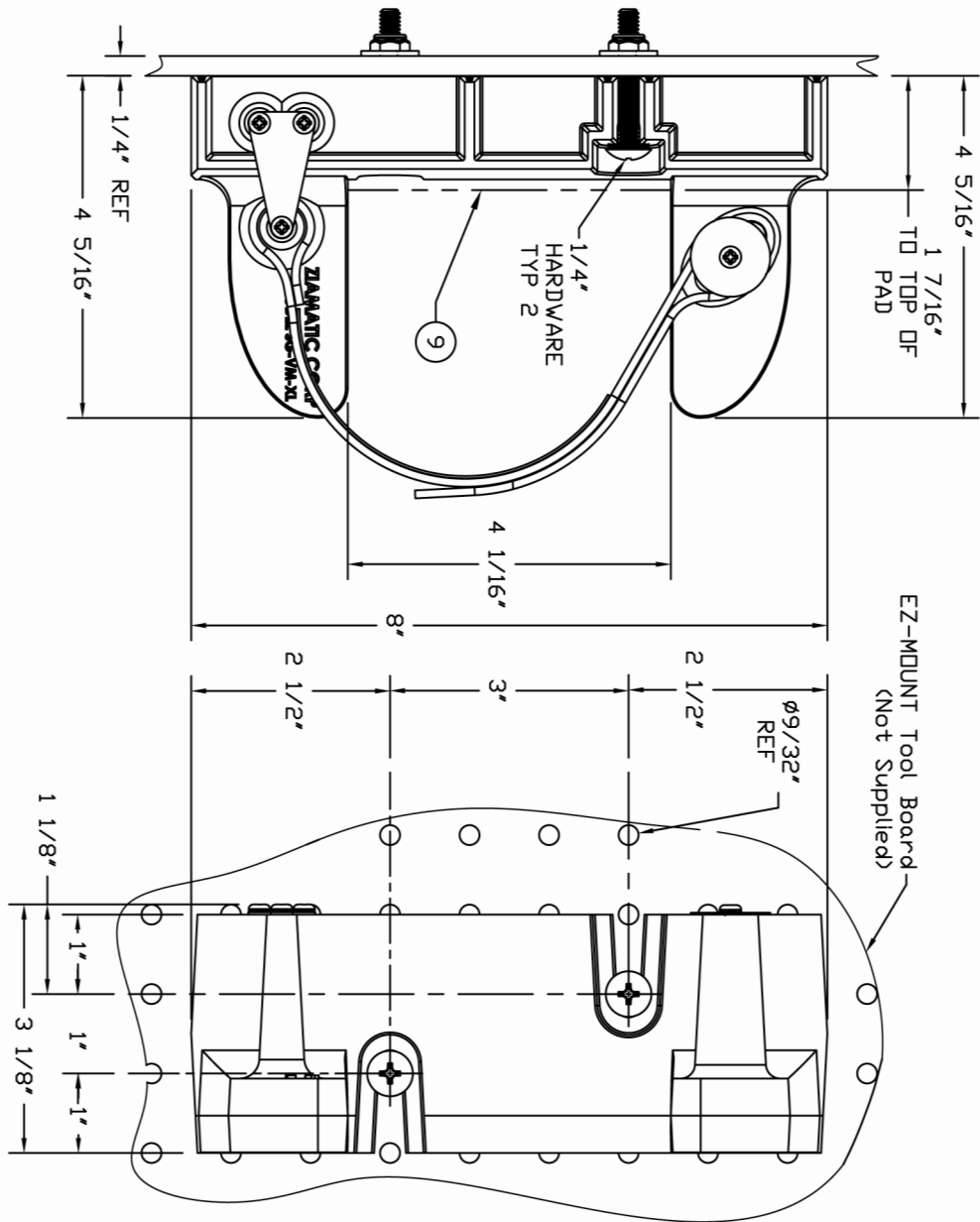
**SURE-GRIP XL™ EQUIPMENT HOLDERS**  
**MODELS SG-VM-EHS, SG-VM-EHM, SG-VM-EHL**  
**PARTS AND INSTRUCTION MANUAL**

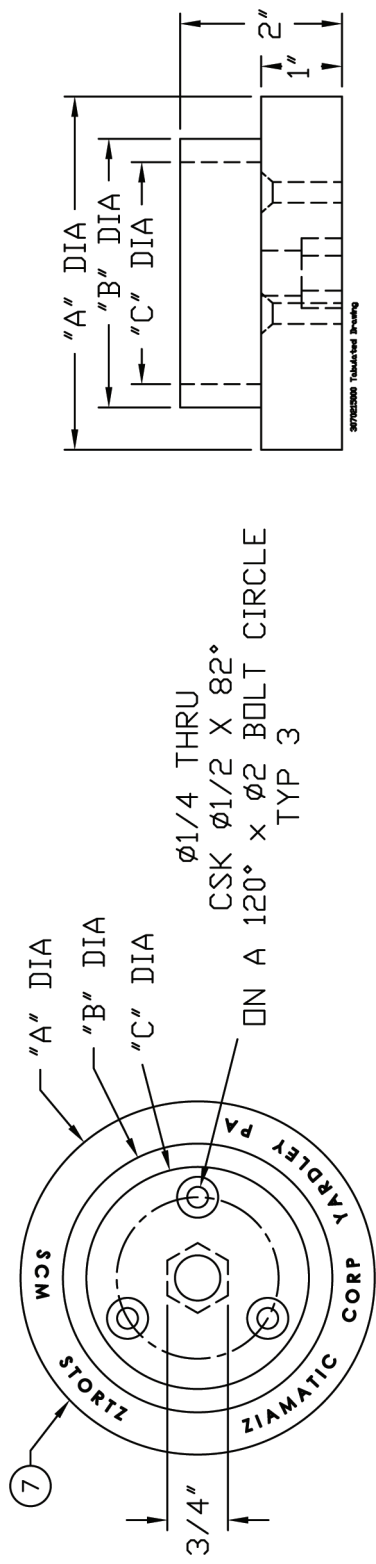


Mount  
 SCALE 1 : 2

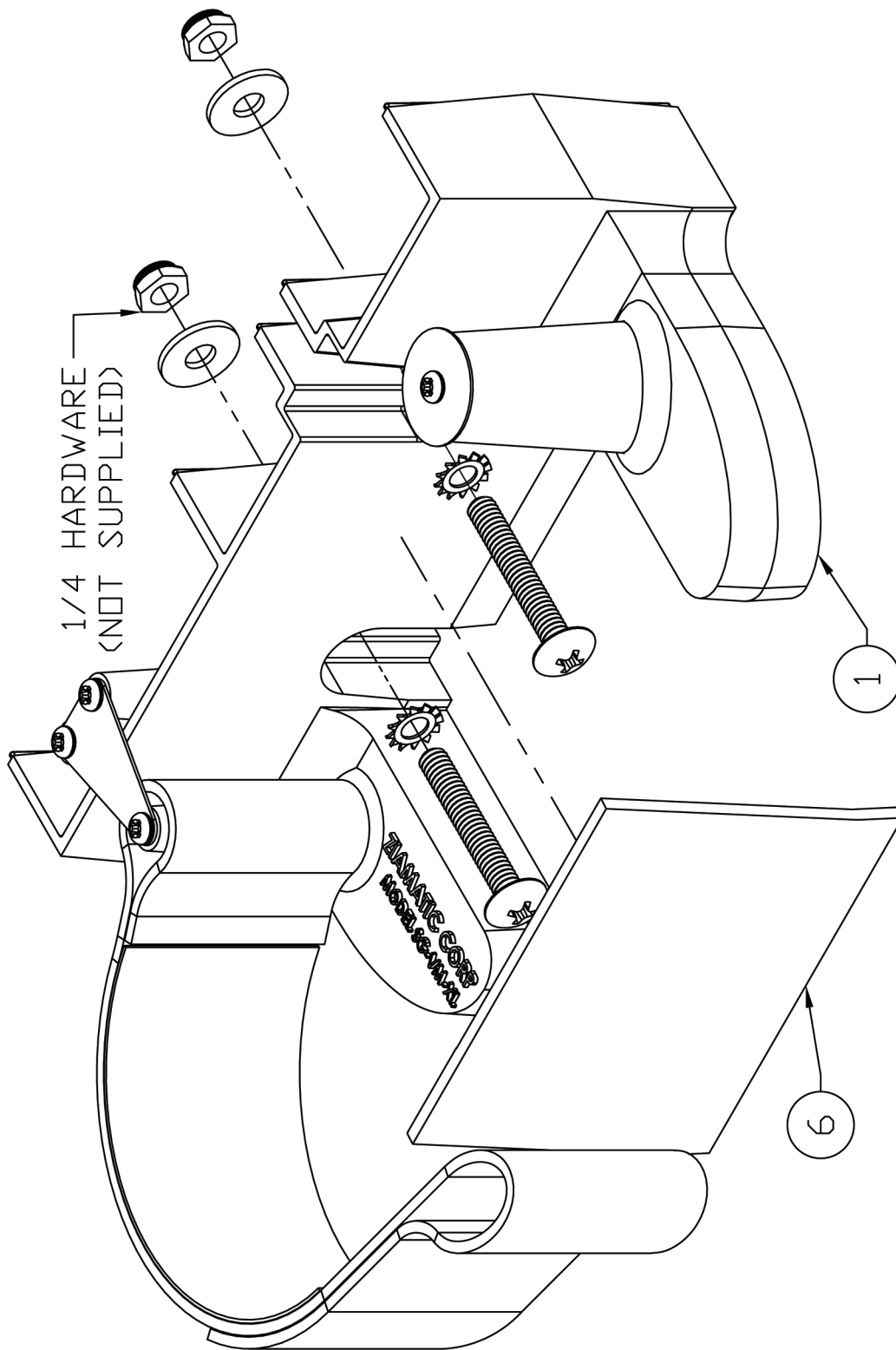
MODEL	DESCRIPTION	WT./@ IN LBS.
SG-VM-EHS	Black 2" - 3" grip range bracket and 4" mount	1.6
SG-VM-EHS-Y	Yellow 2" - 3" grip range bracket and 4" mount	1.6
SG-VM-EHM	Black 2" - 3" grip range bracket and 5" mount	1.9
SG-VM-EHM-Y	Yellow 2" - 3" grip range bracket and 5" mount	1.9
SG-VM-EHL	Black 3" - 4" grip range bracket and 6" mount	2.7
SG-VM-EHL-Y	Yellow 3" - 4" grip range bracket and 6" mount	2.7

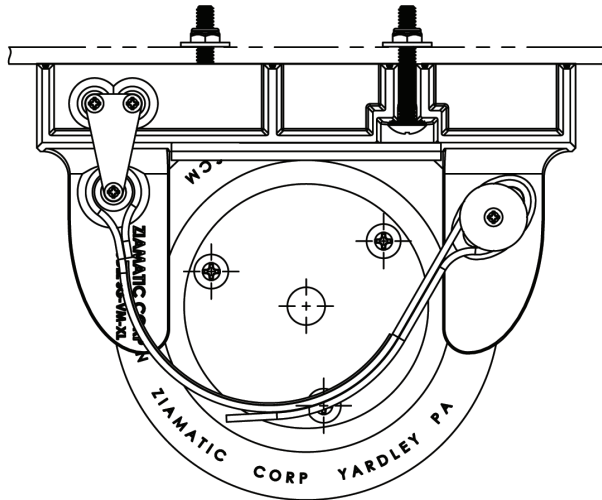
ITEM	PART NUMBER	DESCRIPTION	QTY.
1	3085-505-105	SURE GRIP XL BASE	1
2	3085-505-107	STRAP PLATE	1
3	3085-505-109	BLACK STRAP, 19.5" (EHL)	1
	3085-520-109	YELLOW STRAP, 19.5" (EHL)	1
	3085-510-109	BLACK STRAP, 15.5" (EHS, EHM)	1
	3085-525-109	YELLOW STRAP, 15.5" (EHS-Y, EHM-Y)	1
4	9125-191306	SCREW, #6-20 x 3/8", PLASTIC THREAD CUTTING, SS	4
5	9114-161600	FENDER WASHER, #8 X 1.000 OD SS	1
6	3085-505-901	PAD WITH ADHESIVE, 3" x 4"	1
7	3070-215-105	4" MOUNT	0
	3070-220-105	5" MOUNT	0
	3070-225-105	6" MOUNT	1



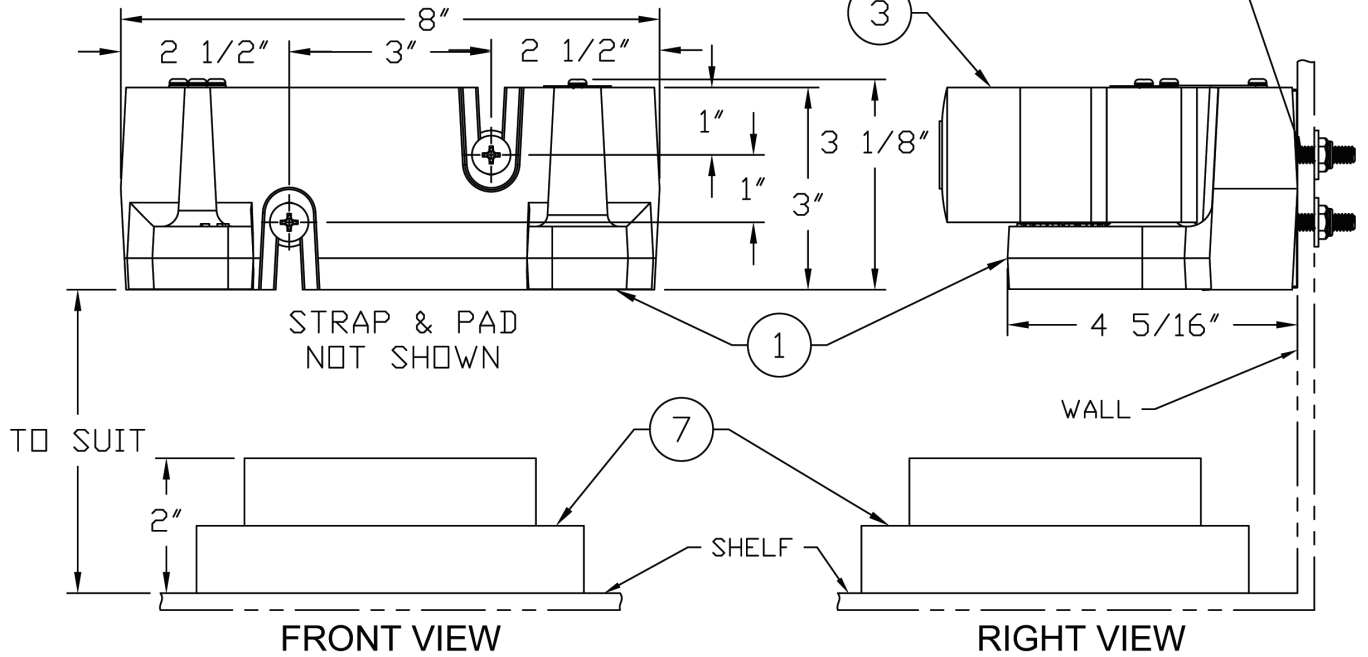


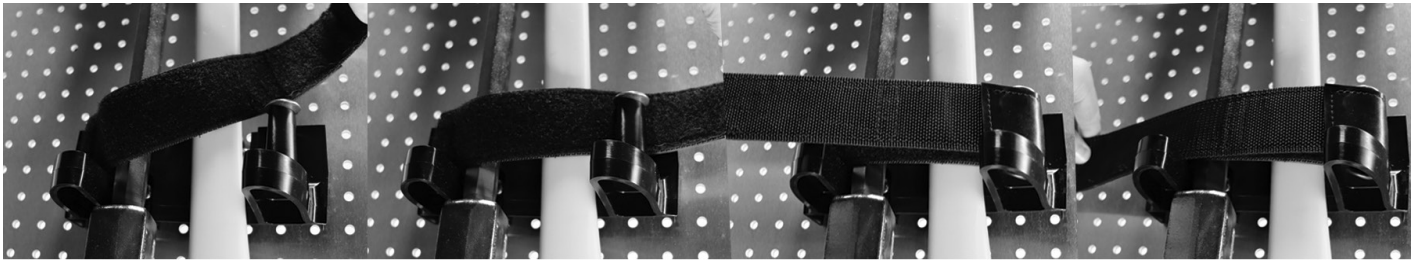
ITEM	DESCRIPTION	PART NUMBER	A DIA	B DIA	C DIA
7	4" MOUNT	3070-215-000	4 3/8	3 11/32	2 3/4
	5" MOUNT	3070-220-000	5 3/4	4 11/32	3 5/8
	6" MOUNT	3070-225-000	6	4 29/32	4 1/4





TOP VIEW





*Note: Part numbers in parentheses (see Page 1).*

## **I. INSTALLATION**

1. Secure the tool or piece of equipment to be mounted into the SURE-GRIP XL Assembly and Mount (7). Place in the compartment where desired. Position SURE-GRIP XL to provide adequate support for length and weight of tool. Mark locations.
2. Fasten the Mount to the shelf using 1/4" hardware (not supplied).
3. Attach SURE-GRIP XL Base (1) to the mounting surface using truss head screws, 1/4" nuts, and 1/4" washers (hardware not supplied).

## **II. SECURING THE TOOL**

1. Rest the bottom of the tool or piece of equipment in the Mount (7).
2. Place the Strap (3) over the tool. Wrap it around the oval-shaped post from the side (see above).
3. While maintaining tension on the strap, pull away from the Base (1) to tighten, then connect the hook pad and the loop pad to secure.

## **III. REMOVING THE TOOL**

1. Grab the end of the strap at the red tab and pull away from the Base (1) to release the hook & loop connection.
2. Pull the tool towards you, through the loosened strap. Strap will free itself as you pull.
3. Lift tool out of the Mount (7).

**Notes:**

**ZICO** Ziamatic Corp.  
10 West College Avenue, P.O. Box 337, Yardley, PA 19067-0587 • (215) 493-3618 • FAX: (215) 493-1401

[www.ziamatic.com](http://www.ziamatic.com)  
TOLL FREE: 800-711-3473

\*ZICO is a registered trademark for fire, safety and marine products made by Ziamatic Corp.

Copyright Ziamatic Corp. 6-21