

VARIABLE MOUNT EQUIPMENT HOLDERS PARTS AND INSTRUCTION MANUAL

MODELS AVAILABLE:

VM-EH-D TWO TOOLS/EQUIPMENT

VM-EH-Q FOUR TOOLS/EQUIPMENT

Features:

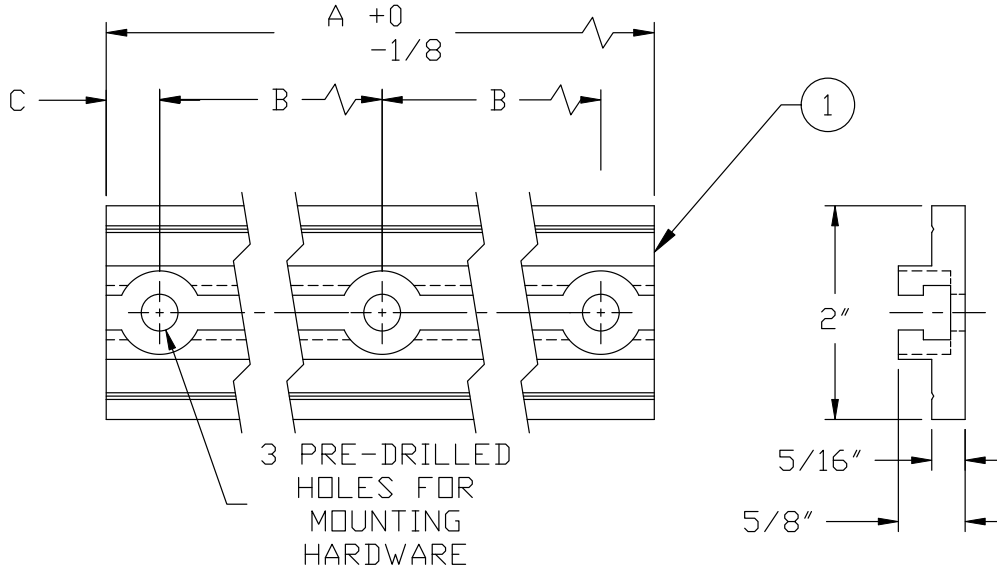
- Tightly secure two or four large tools or pieces of equipment against a vertical surface with these heavy-duty brackets
- Ideal for round or square struts, jacks, large hand tools, and other 2"-4" wide equipment
- Beefy, 2" wide nylon straps provide more surface area for an extraordinarily powerful grip
- SURE-GRIP technology allows for more leverage when securing for a stronger, tighter hold
- Includes channel for quick and easy mounting



I. INSTALLATION

Numbers in parenthesis () refer to the item number

1. Mount the ABC Profile (1) using 1/4" fasteners (Not supplied).
See Figures 1 & 2
2. Assemble the LH Bracket Straps (2) and the RH Bracket Straps (3) onto the ABC Profile (1) using the fasteners(5&6) shown in Figure 2.
3. Slide the loop end of the Straps (4) onto the LH and RH Bracket Straps. See Figure 2



Part Number	Description	A	B	C
3085-670-101	Dual Mount	13 5/8	6	13/16
3085-675-101	Quad Mount	27 1/4	13	5/8

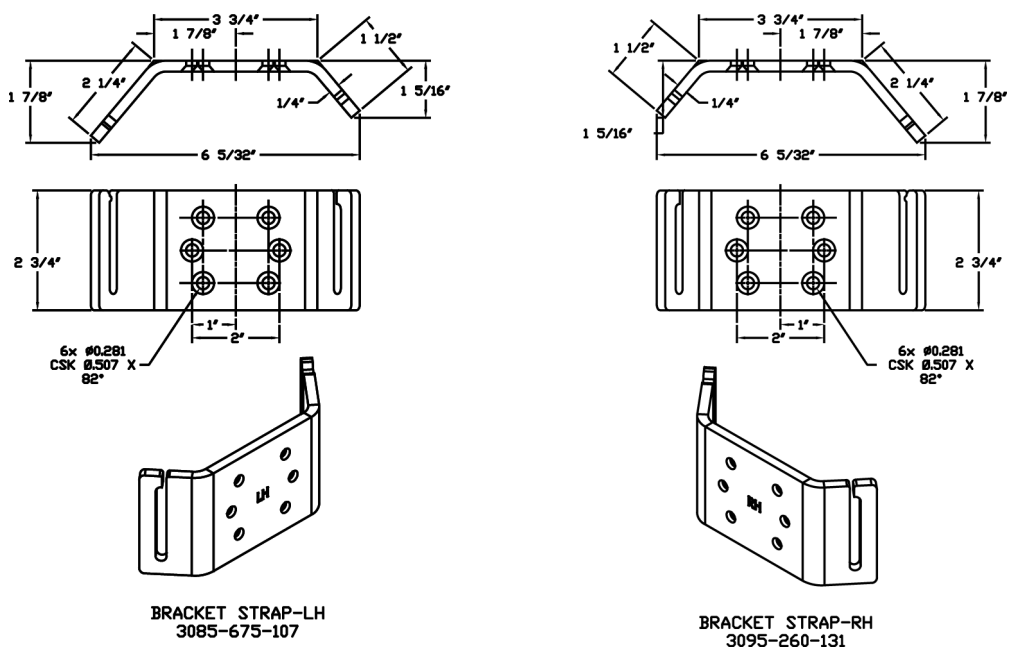
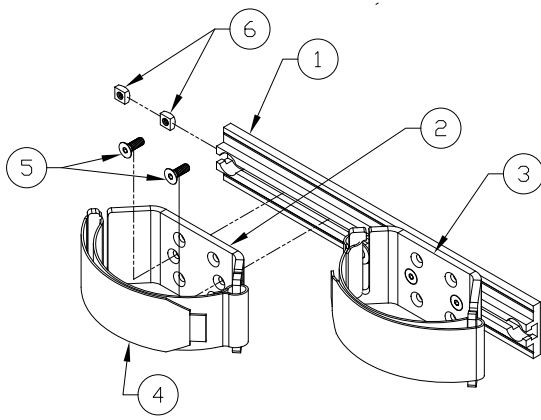


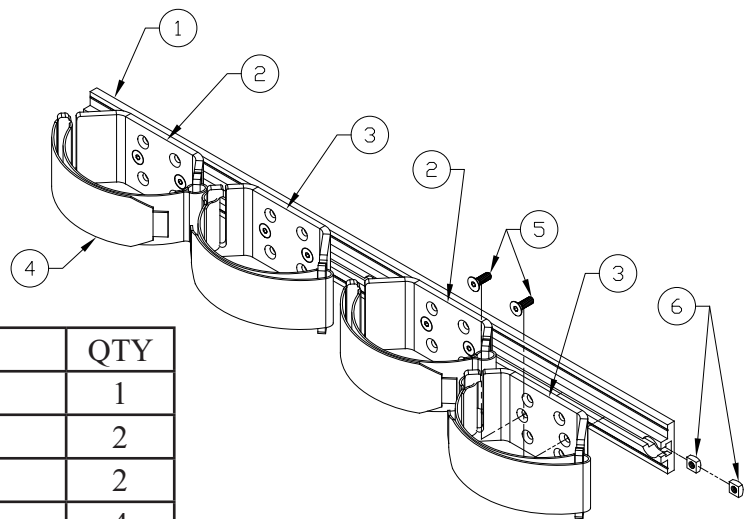
Figure 1

Model: VM-EH-D



Item#	Part Number	Description	QTY
1	3085-670-101	ABC Profile, 13 5/8"	1
2	3085-675-107	Bracket, Strap-LH	1
3	3095-260-131	Bracket, Strap-RH	1
4	3099-736-105	Strap, UMVS-1116-11	2
5	9010-162512	Screw, 1/4-20x3/4 FH ZPS	4
5	9012-242500	Nut, 1/4-20 Square ZPS	4

Model: VM-EH-Q



Item#	Part Number	Description	QTY
1	3085-675-101	ABC Profile 27 1/4"	1
2	3085-675-107	Bracket, Strap-LH	2
3	3095-260-131	Bracket, Strap-RH	2
4	3099-736-105	Strap, UMVS-1116-11	4
5	9010-162512	Screw, 1/4-20x3/4 FH ZPS	8
5	9012-242500	Nut, 1/4-20 Square ZPS	8

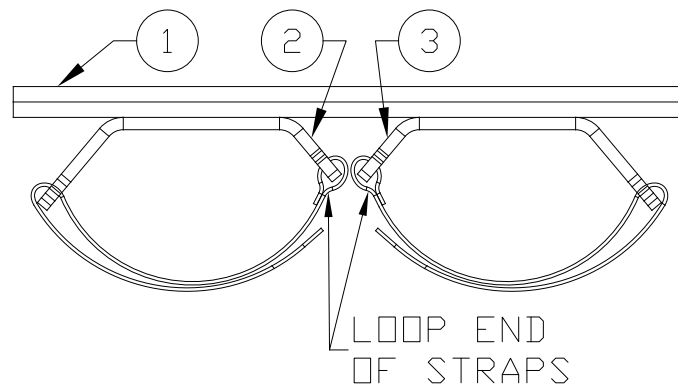


Figure 2

II. STOWING EQUIPMENT

1. Place and hold the equipment against the LH Bracket Strap (2) or RH Bracket Strap (3). See Figure 3
2. Place the Strap (4) around the equipment. Wrap the Strap around the open ended slot of the Bracket. See Figure 3
3. While maintaining tension on the Strap, pull away from the Bracket to tighten, then connect the hook pad and the loop pad of the Strap to secure the equipment.

III. DEPLOYING EQUIPMENT

1. Grab the end of the Strap at the red tab and pull away from the Bracket to release the hook & loop connection.
2. Pull the tool towards you, through the loosened strap. The Strap will free itself as you pull the equipment.

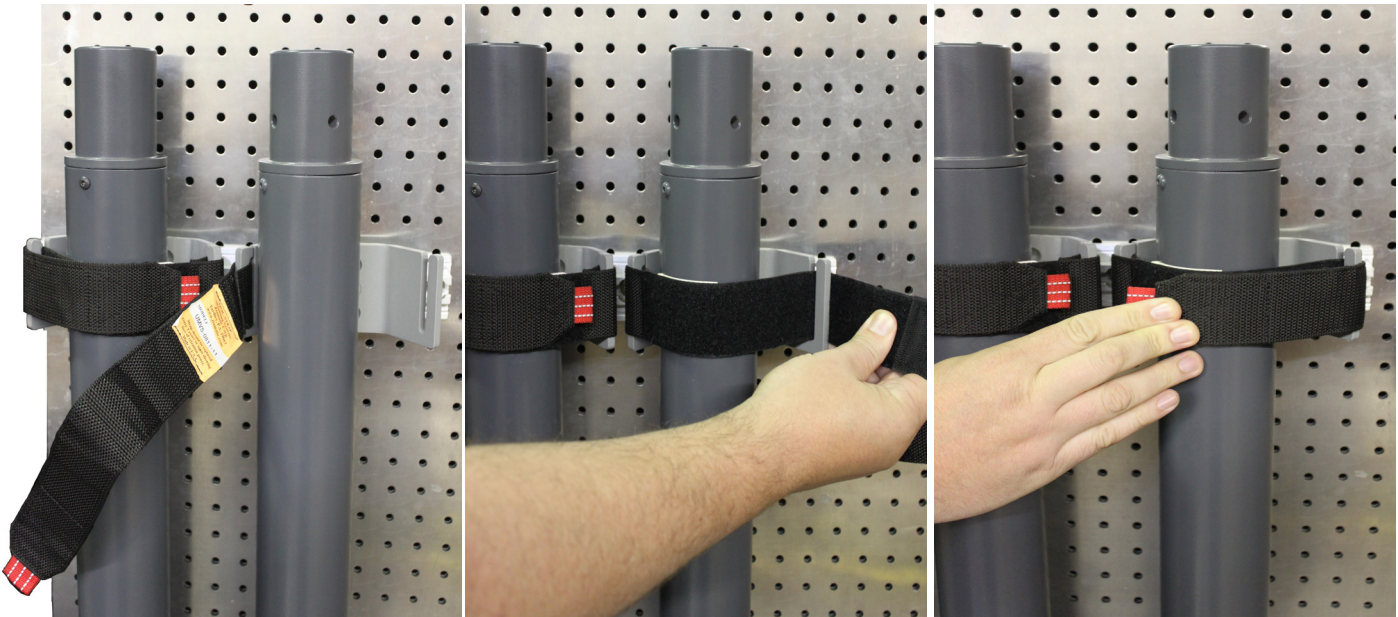


Figure 3



Ziamatic Corp.

10 West College Avenue, P.O. Box 337, Yardley, PA 19067-0587 • (215) 493-3618 • FAX: (215) 493-1401

*ZICO is a registered trademark for fire, safety and marine products made by Ziamatic Corp.

www.ziamatic.com

TOLL FREE: 800-711-3473

Copyright Ziamatic Corp. 3-24