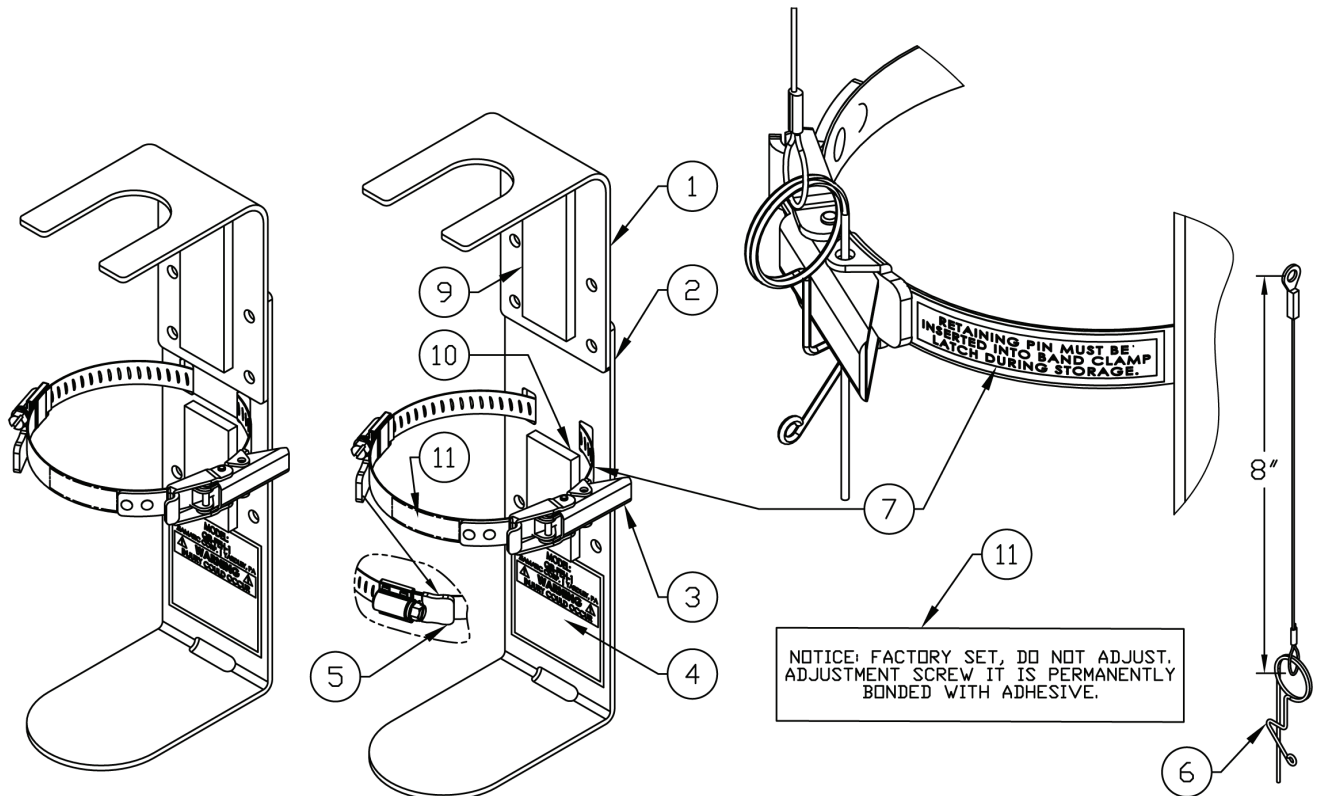


**QUIC-RELEASE® FIRE EXTINGUISHER HOLDER - 5 LB.  
MODEL QR-FEH-1-\_  
PARTS AND INSTRUCTION MANUAL**

**3030PM25**

Rev. 9-4-20



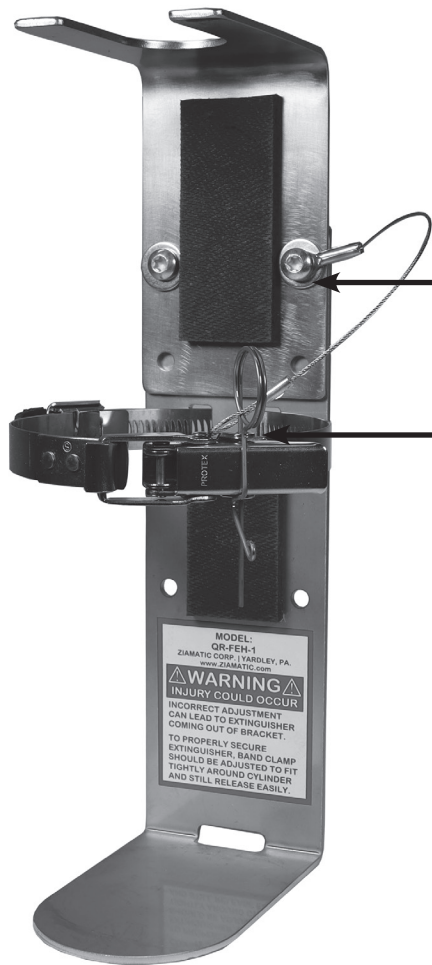
12 1/4" x 3" x 4 1/8"

13 3/4" x 3" x 4 1/8"

Dimensions do not include overall dimensions of the fire extinguisher.

MODEL	DESCRIPTION	WT. /@ IN LBS.
QR-FEH-1-A	For use w/ Amerex B500	2.45
QR-FEH-1-B	For use w/ Badger 5MB-6HB	2.45
QR-FEH-1-K	For use w/ Kidde Pro Series 340	2.45

ITEM NO.	PART NO.	DESCRIPTION	QTY.
1	3030-300-105	RETAINER BRACKET	1
2	3030-300-101	BASE BRACKET	1
3	3030-300-107	BAND CLAMP	1
4	3030-300-111	LABEL, MODEL QR-FEH-1-A	1
	3030-315-111	LABEL, MODEL QR-FEH-1-B	
	303-310-111	LABEL, MODEL QR-FEH-1-K	
5	3030-300-113	BAND CLAMP CAP	1
6	3030-300-117	RETAINING PIN / LANYARD ASSY	1
7	3030-300-119	LABEL, RETAINING PIN	1
9	3030-300-121	FOAM PAD, 3-3/4" x 1-1/4" x 1/4"	1
10	3030-300-123	FOAM PAD, 2-1/2" x 1/1/4" x 1/4"	1
11	3030-300-125	LABEL, DO NOT ADJUST	1

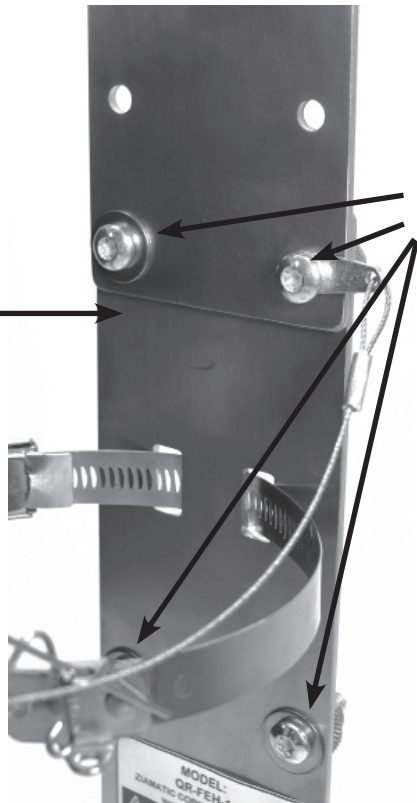


Attach Lanyard Assembly here.  
Lanyard Assembly tab serves as flat washer.

Slide Retaining Pin through hole in Band Clamp latch to secure.

MODEL  
QR-FEH-1  
ZIAMATIC CORP., YAROLEY, PA.  
www.ZIAMATIC.com  
**WARNING**  
INJURY COULD OCCUR  
INCORRECT ADJUSTMENT  
CAN LEAD TO EXTINGUISHER  
COMING OUT OF BRACKET.  
TO PROPERLY SECURE  
EXTINGUISHER, BAND CLAMP  
SHOULD BE ADJUSTED TO FIT  
TIGHTLY AROUND CYLINDER  
AND STILL RELEASE EASILY.

Note that two fasteners sets must go through the bottom holes of the Base Bracket and that two fastener sets must go through the shared holes of the Retainer Bracket and the Base Bracket.



Mount at four points  
with Grade 5, 1/4"  
Type 4 hardware.

*WARNING: QM-FEH-1 is to be secured with a minimum of Grade 5, 1/4" Type 4 fasteners and washers. Failure to do so may result in non-compliance with safety standards.*

*WARNING: Be careful not to kink the Band Clamp (3) during mounting procedures.*

*WARNING: Band Clamp is factory set. Do not adjust adjustment screw. It is permanently bonded with adhesive.*

### **Mounting Instructions:**

Mount horizontally or vertically at four points to any flat surface using a minimum of Grade 5, 1/4" Type 4 fasteners and washers (see Page 2). Failure to meet these requirements may result in non-compliance with safety standards.

### **Operation Instructions:**

#### 1. To stow the extinguisher:

- Place the extinguisher against the Base Bracket (2), inside of the Band Clamp (3) and resting on the footplate. The neck of the extinguisher should sit fully inside the Retainer Bracket (1).
- Hook together and fully close the Band Clamp latch. Slide the Retaining Pin (6) through the small hole in the Band Clamp latch to secure. Failure to use the Retaining Pin may result in non-compliance with safety standards.

#### 2. To retrieve the extinguisher:

- Remove the Retaining Pin (6) and open the Band Clamp (3) latch.
- Pull extinguisher free from the Retainer Bracket (1).



**Ziamatic Corp.**

10 West College Avenue, P.O. Box 337, Yardley, PA 19067-0587 • (215) 493-3618 • FAX: (215) 493-1401

\*ZICO is a registered trademark for fire, safety and marine products made by Ziamatic Corp.

[www.ziamatic.com](http://www.ziamatic.com)  
TOLL FREE: 800-711-3473

Copyright Ziamatic Corp. 9-20