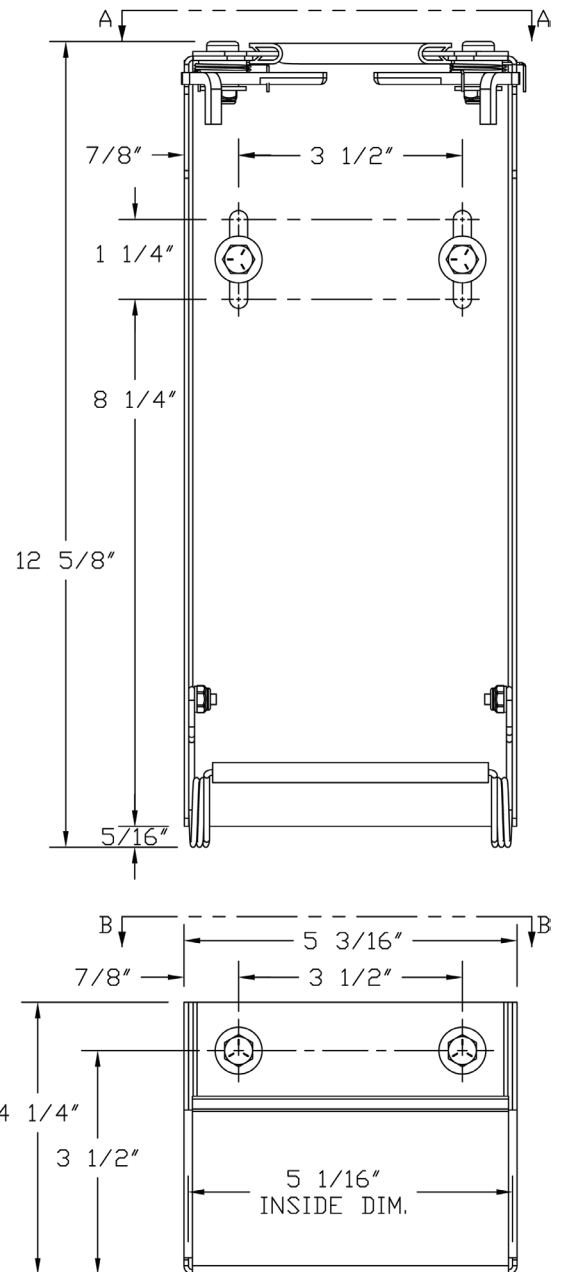
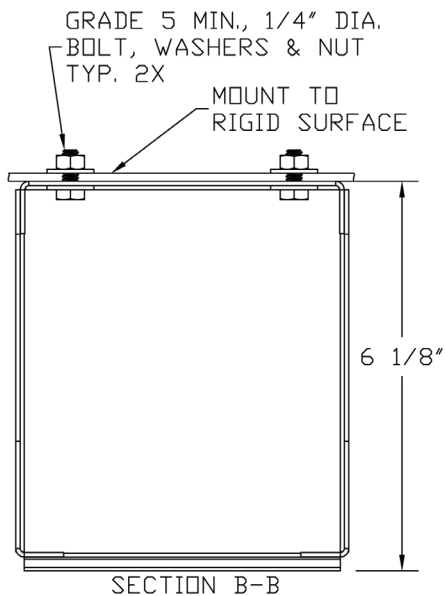
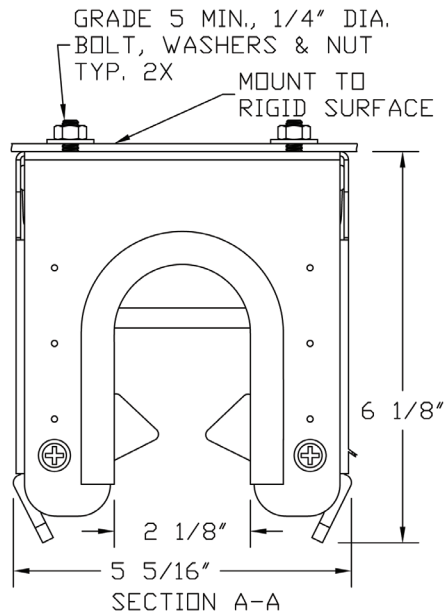


**QUIC-RELEASE® STRAPLESS CYLINDER BRACKET
MODEL QR-E-1
PARTS AND INSTRUCTION MANUAL**

3030PM16

Rev. 11-28-2023

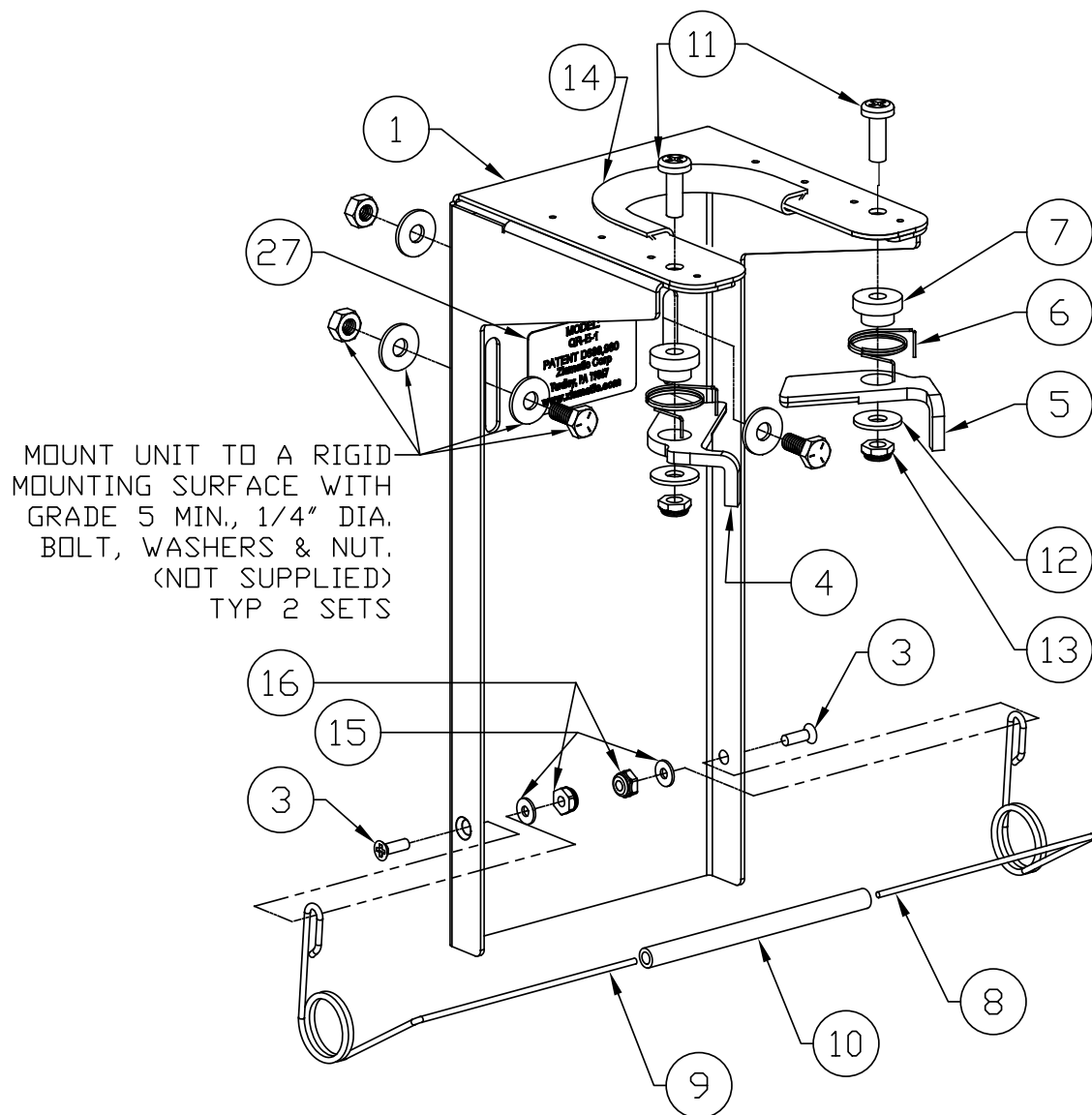


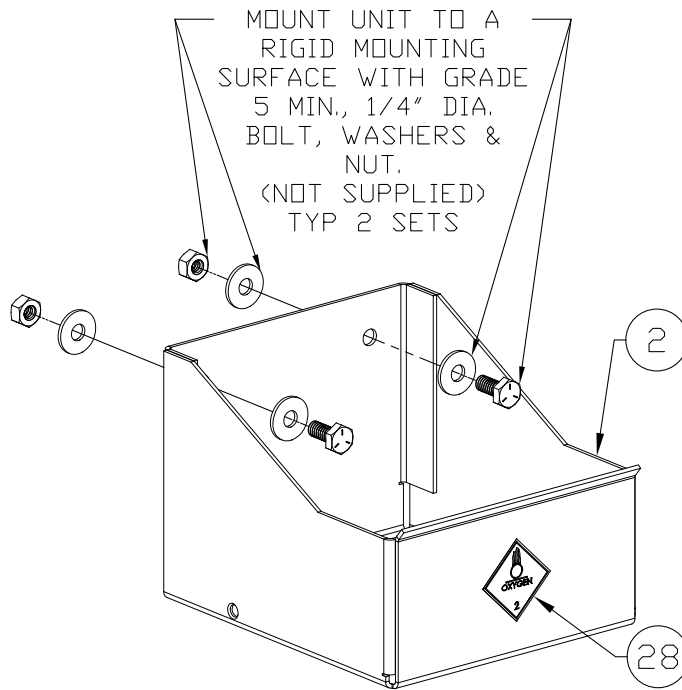
MODEL	DESCRIPTION	WT/ IN LBS.
QR-E-1	Strapless "E" Cylinder Bracket	5.8

Mounting Instructions

- Mount vertically. Not designed for horizontal mounting.
- Brackets may be mounted side by side.
- Minimum of four mounting points using 1/4" Grade 5 minimum bolts, washers, and nuts (see Pages 1 & 2).
- Requires a rigid mounting surface able to withstand a pull-out force exceeding strength of screws (see Page 2).

Parts Diagram





ITEM NO.	PART NO.	DESCRIPTION	QTY.
1	3030-114-103	E-CYL. BRACKET RETAINER	1
2	3030-114-101	E-CYL. BRACKET BASE	1
3	9110-361608	#8-32 x 1/2" FLAT HD, SOCKET HD. S.S.	2
4	3030-113-109	D-CYL. BRACKET CAM (LEFT)	1
5	3030-113-111	D-CYL. BRACKET CAM (RIGHT)	1
6	3030-113-113	D-CYL. BRACKET CAM SPRING	2
7	3030-113-115	D-CYL. BRACKET CAM SPACER	2
8	3030-113-117	D-CYL. BRACKET RETURN SPRING RH	1
9	3030-113-119	D-CYL. BRACKET RETURN SPRING LH	1
10	3030-113-121	D-CYL. BRACKET SPRING JACKET	1
11	9110-352514	BUTTON HD CAP, 1/4"-20 x 7/8 S.S.	2
12	9114-112500	WASHER, 1/4" FLAT S.S.	2
13	9113-172501	LOW PRO. NUT, 1/4-20, NYLON LOCK S.S.	2
14	3030-113-123	VINYL EDGE GUARD	1
15	9114-111600	#8 FLAT WASHER	2
16	9113-251601	LOW PRO. NUT, #8-32, NYLON LOCK S.S.	2
27	3030-114-105	LABEL, MODEL #, QR-E-1	1
28	3030-112-117	LABEL, OXYGEN WARNING	1

Operating Instructions

To store standard and steel "E" cylinders:

1. Place bottom of cylinder into bracket base (2).
2. Press cylinder through the latches (4 & 5), until both click into the locked position.
3. Check that the cylinder is now secure against the latches.

To remove cylinders:

1. Slightly press cylinder in against the Bracket Return Spring Assembly (8 & 9) to relieve pressure on the latches.
2. Squeeze latch handles inward, toward each other to disengage.
3. Allow Bracket Return Spring Assembly to push the cylinder free of the latches.

Periodical maintenance:

Check all hardware, tighten if loose.

Replace the following parts when showing wear

Yellow coating on the cams(4 & 5)

Edge guard(14)

Spring jacket(10)



Ziamatic Corp.

10 West College Avenue, P.O. Box 337, Yardley, PA 19067-0587 • (215) 493-3618 • FAX: (215) 493-1401

www.ziamatic.com

TOLL FREE: 800-711-3473

*ZICO is a registered trademark for fire, safety and marine products made by Ziamatic Corp.

Copyright Ziamatic Corp. 4-12