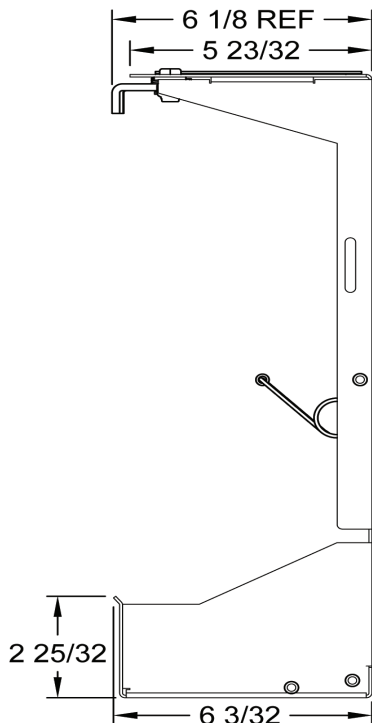
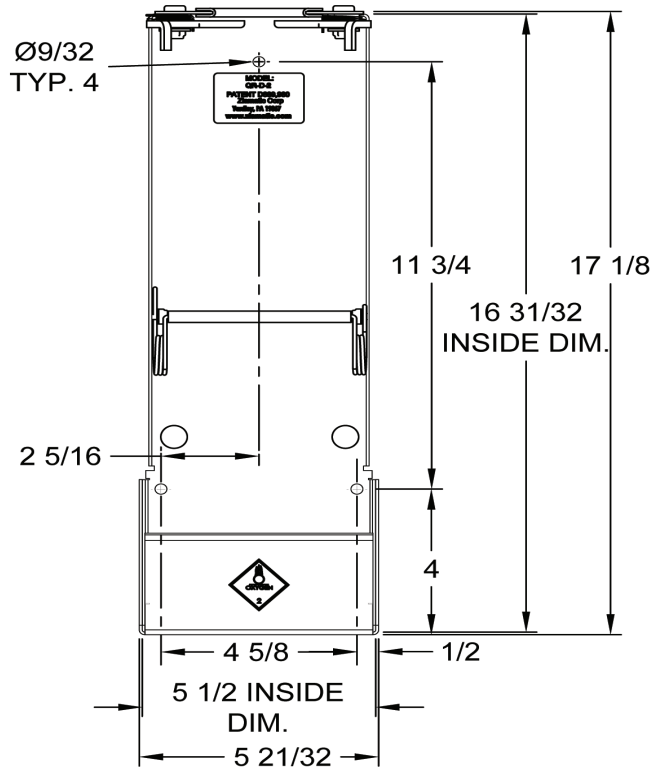


**QUIC-RELEASE® STRAPLESS CYLINDER BRACKET**  
**MODEL QR-D-2**  
**PARTS AND INSTRUCTION MANUAL**

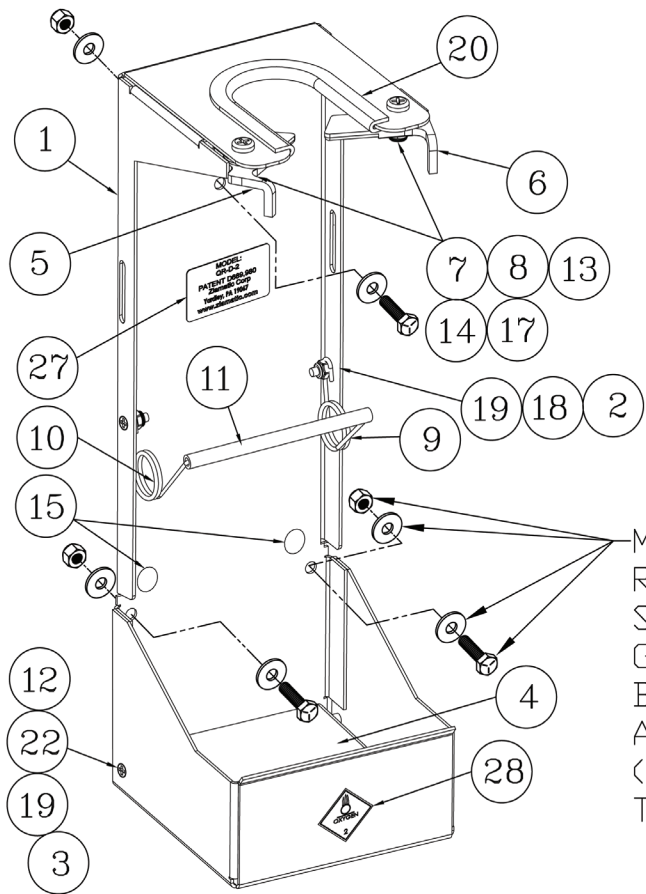
**3030PM14**

Rev. 10-14-19



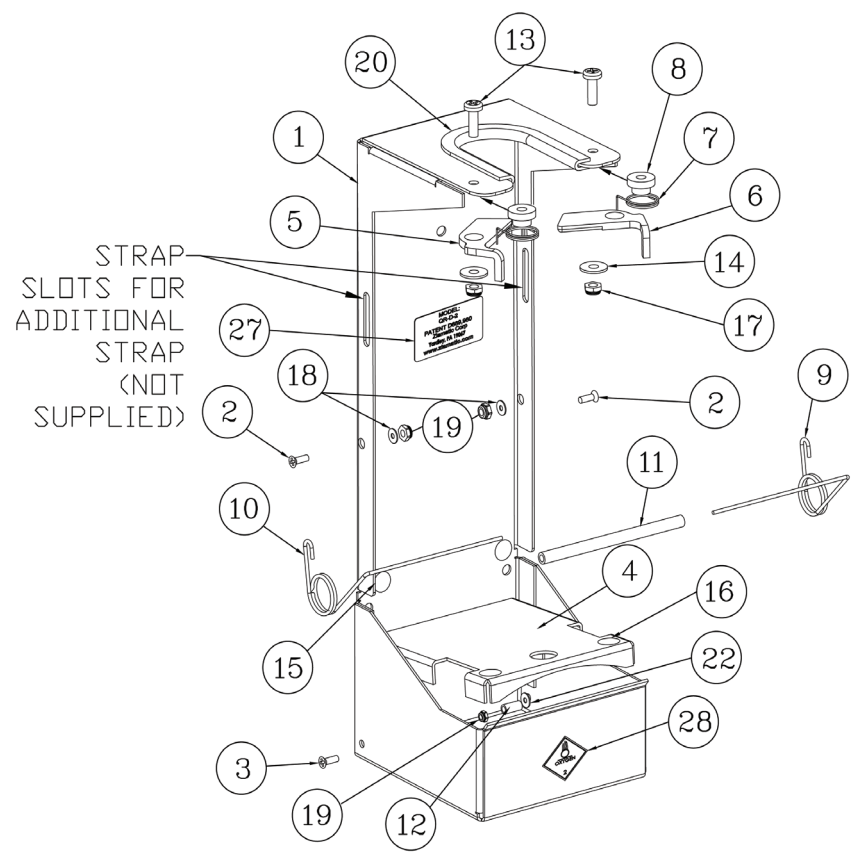
| MODEL  | DESCRIPTION                | WT./@<br>IN LBS. |
|--------|----------------------------|------------------|
| QR-D-2 | Strapless Cylinder Bracket | 5.8              |

# Parts Diagram



MOUNT UNIT TO A RIGID MOUNTING SURFACE WITH GRADE 5, Ø1/4 BOLT & WASHERS AND NUT, (NOT SUPPLIED) TYP 3 SETS

## ISOMETRIC VIEW



## EXPLODED VIEW

## Parts Breakdown

---

| ITEM NO. | PART NO.     | DESCRIPTION                        | QTY. |
|----------|--------------|------------------------------------|------|
| 1        | 3030-113-101 | D-CYL. BRACKET FORM                | 1    |
| 2        | 9110-361608  | #8 x 1/2" FLAT HD, SOCKET HD. S.S. | 2    |
| 3        | 9110-361612  | #8 x 3/4" FLAT HD, SOCKET HD. S.S. | 2    |
| 4        | 3030-113-107 | D-CYL. BRACKET SS SPACER           | 1    |
| 5        | 3030-113-109 | D-CYL. BRACKET CAM (LEFT)          | 1    |
| 6        | 3030-113-111 | D-CYL. BRACKET CAM (RIGHT)         | 1    |
| 7        | 3030-113-113 | D-CYL. BRACKET CAM SPRING          | 2    |
| 8        | 3030-113-115 | D-CYL. BRACKET CAM SPACER          | 2    |
| 9        | 3030-113-117 | D-CYL. BRACKET RETURN SPRING RH    | 1    |
| 10       | 3030-113-119 | D-CYL. BRACKET RETURN SPRING LH    | 1    |
| 11       | 3030-113-121 | D-CYL. BRACKET SPRING JACKET       | 1    |
| 12       | 3030-113-129 | SLEEVE .25OD, .186ID, 3/8"L        | 2    |
| 13       | 9110-352512  | BUTTON HD CAP, 1/4"-20 x 3/4 S.S.  | 2    |
| 14       | 9114-112500  | WASHER, 1/4" FLAT S.S.             | 2    |
| 15       | 3030-113-125 | ROUND BUTTON HOOKS                 | 2    |
| 16       | 3030-113-127 | ROUND BUTTON LOOPS                 | 2    |
| 17       | 9113-172500  | LOW PRO. NUT, 1/4-20, NYLOCK S.S.  | 2    |
| 18       | 9114-111700  | #8 FLAT WASHER, NARROW S.S.        | 2    |
| 19       | 9113-191700  | LOW PRO. NUT, #8, NYLOCK S.S.      | 4    |
| 20       | 3030-113-123 | VINYL EDGE GUARD                   | 1    |
| 22       | 9114-111900  | #10 FLAT WASHER, S.S.              | 2    |
| 27       | 3030-113-131 | LABEL, PATENT #, QR-D-2            | 1    |
| 28       | 3030-112-117 | LABEL, OXYGEN WARNING              | 1    |

## Operating Instructions

---

### To store standard and steel "D" cylinders:

1. Place cylinder into bracket bottom-first, onto the D-Cyl. Bracket SS Spacer (4).
2. Press cylinder through the bracket cams (5 & 6), until both click into the locked position.
3. Check that the cylinder is now secure against the latches.

### To store jumbo "D" cylinders:

1. Flip up the D-Cyl. Bracket SS Spacer (4) and press it against the Round Button Hooks (15) until it remains securely in place.
2. Place cylinder into bracket bottom-first, onto base of the D-Cyl. Bracket Form (1).
3. Press cylinder through the bracket cams (5 & 6), until both click into the locked position.
4. Check that the cylinder is now secure against the latches.

*Note: For additional security, extra slots are provided in D-Cyl. Bracket Form (1) to add a strap if desired (not supplied).*

### To remove cylinders:

1. Slightly press cylinder against the D-Cyl. Bracket Return Spring Assembly (9 & 10) to relieve pressure on the latch.
2. Squeeze latch handles inward, toward each other, to disengage the latches.
3. Allow D-Cyl. Bracket Return Spring Assembly to push the cylinder free of the latches.

## Mounting Instructions

---

- Mount vertically.
- Brackets may be mounted side by side.
- Minimum of 3 mounting points using 1/4" Grade 5 screws, washers, and nuts (see Page 2).
- A rigid mounting surface must be able to withstand a pull-out force exceeding strength of screws (see Page 2).



**Ziamatic Corp.**

10 West College Avenue, P.O. Box 337, Yardley, PA 19067-0587 • (215) 493-3618 • FAX: (215) 493-1401

[www.ziamatic.com](http://www.ziamatic.com)

TOLL FREE: 800-711-3473

\*ZICO is a registered trademark for fire, safety and marine products made by Ziamatic Corp.

Copyright Ziamatic Corp. 10-19