

QUIC-RELEASE® OXYGEN TANK SYSTEM
MODEL QR-OTS-____-U
PARTS AND MOUNTING INFORMATION

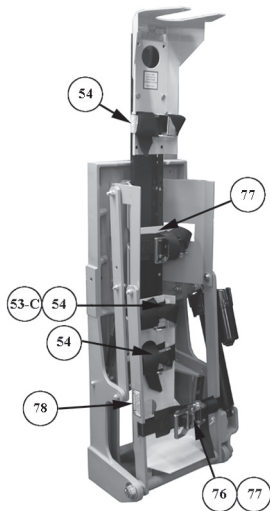
Model QR-OTS-U allows you to mount any "M" through "J" cylinder. The system uses a QR-MV Multiversal bracket to accommodate the range of cylinders.

Powered by a single electric actuator meeting UL-1500 Standard for Ignition Protection, the unit has a maximum lifting capacity of 205 pounds and requires 12 VDC with 14 amp circuit.

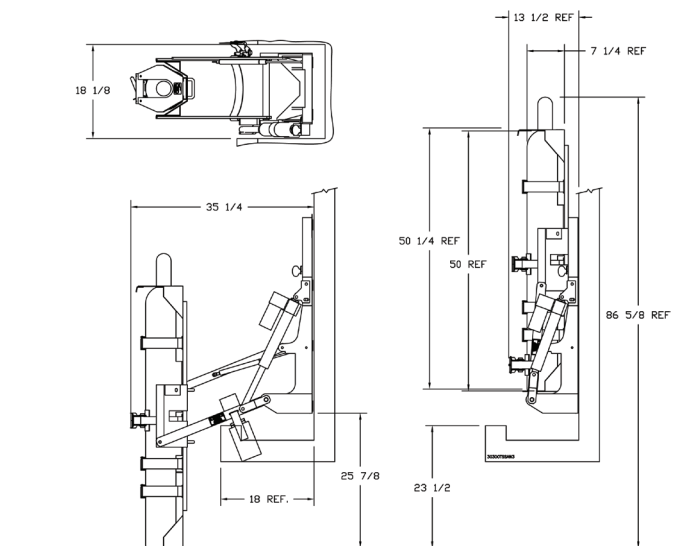
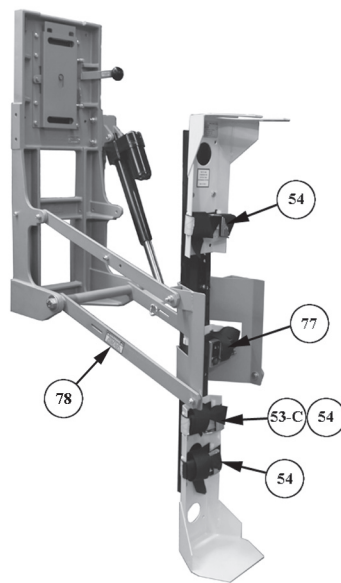
Basic device requires a mounting area of 18-1/8" W x 37-5/8" H x 12-3/4" D. Minimum door opening is 14".

Operating latch is on the same side as the motor. See page 5 for optional hand held switch.

Equipped with a backdriving actuator that prevents the unit from holding weight of the apparatus if air suspension on the vehicle is lowered.



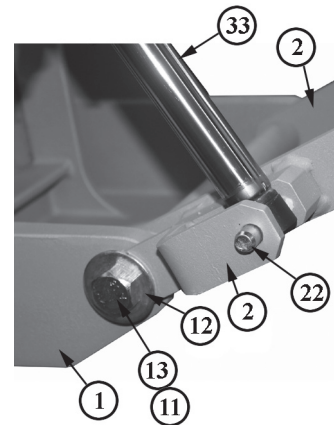
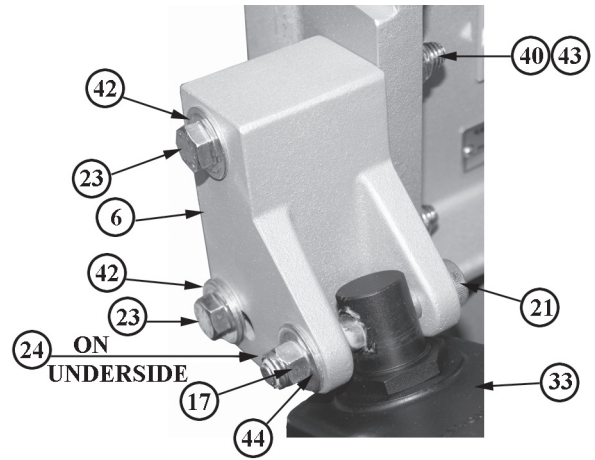
Note: Units shown without Label Mounting Plate (61). Attach Label Mounting Plate to Retainer Plate (53-B) before use.



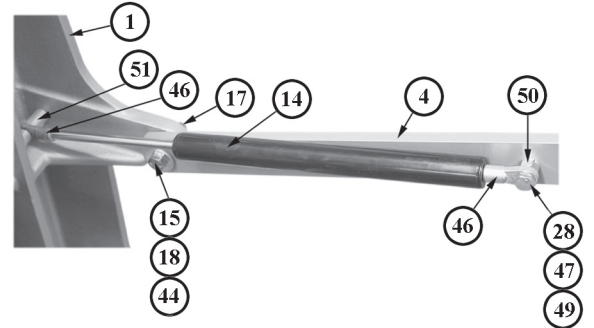
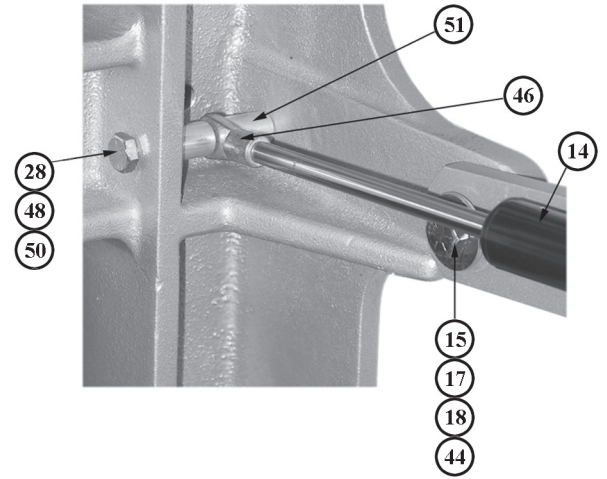
MODEL	DESCRIPTION	WT./@ IN LBS.
QR-OTSR-U	System with motor on right	117
QR-OTSL-U	System with motor on left	117
QR-OTSR-US	System with hand held switch	119
QR-OTSL-US	System with hand held switch	119
QR-MV-OTS	Bracket for QR-OTS-U	16
3030-155-105	Adapter plate for use with QR-MV bracket	12

*Specify length of "M" cylinder to be retained by the System.

ITEM NO.	PART NO.	DESCRIPTION	QTY.
1	3030-140-101	Base Casting	1
2	3030-140-103	Lifting Arm Weldment	1
3	3030-140-111	Adapter, Lifting Arm To Tank Brkt.	1
4	3030-140-113	Positioning Arm	1
5	3030-140-116	Neoprene Pad, 1" x 4-1/2" x 1/8" Thk.	2
6	3030-140-117	Upper Mtg. Brkt. Actuator	1
7	3030-140-119	Housing, Locking Mechanism	1
8	3030-140-121	Slider, Locking Mechanism	1
9	3030-140-123	Hook, Locking Mechanism	2
10	3030-140-125	Handle, Locking Mechanism	1
11	3030-140-127	Lifting Arm Screw Sleeve, 3/4 ID x 1 OD x 1-1/32 Lg.	2
12	9014-117500	Plainwasher, 3/4Ø ID	2
13	9010-107540	Screw, 3/4-10 x 2-1/2 Hex Hd.	2
14	3030-140-149	Damper, Hydraulic	1
15	3030-140-133	Sleeve, 3/8 ID x 1/2 OD x 1/2	4
16	9018-103716	Pivot Screw 3/8-16 x 1" Hex Hd. Grade 8	3
17	9013-173700	Nut, 3/8-16 Self Locking	5
18	9018-103728	Pivot Screw 3/8-16 x 1-3/4" Hex Hd. Grade 8	1
19	9014-263700	3/8 External Tooth Lockwasher Steel Zinc	1
20	9018-103116	Mtg. Screw, Lock Mech 5/16-18 x 1 Hex Hd. Gr 8	6
21	9010-315036	Shoulder Screw, 1/2 x 2-1/4 Grip	1
22	9050-005056	Quick Release Pin x 3-1/2 Grip	1
23	9018-104364	Mtg. Screw, Upper Mtg. Brkt. 7/16-14 x 4 HH Gr8	2
24	9010-382512	Setscrew, Upper Mtg. Brkt. 1/4-20 x 3/4 Cup Point	2
26	3030-140-141	Spacer, 1/2 OD x 14GA x 7/16 LG.	2
27	3030-140-130	Washer, Spring 1/2 ID x 1 OD, SS	1
28	9014-203100	Lockwasher, 5/16 Split	14
29	9015-103120	Screw, 5/16-18 x 1-1/4 HH Gr. 5	10
30	9010-103110	Mtg. Screw, Brkt. To Adapter 5/16-18 x 5/8 Hex Hd.	10
31	3030-155-105	Adjustable Backplate	1
32	9010-103128	Mtg. Screw, Lock Mech HSG 5/16-18 x 1-3/4 Hex Hd.	2
33	3030-140-112	Electric Actuator	1
34	2070-105-119	Knob, Plastic	1
35	9010-113716	Screw, 3/8-24 x 1", Hex Hd.	1
36	9014-203700	3/8 Split Lockwasher	1
37	3030-140-147	Retainer, Latch Handle	1
38	3030-140-157	Spacer, 5/16 ID x 1/2 OD x 1 Lg	2
39	3030-140-159	Comp Spring, .660 OD x .049 Wire x 7/8	2
40	9013-174300	Nut, 7/16-14 Self Locking	2
41	9014-113100	Flatwasher, 5/16 Nom. x 1/16 Thk.	8
42	9014-113700	3/8 USS Flat Washer Steel Zinc	6
43	9014-204300	Lockwasher, 7/16 Split	1
44	9014-113700	Flatwasher, 3/8 Nom.	5
45	9012-103700	Nut, 3/8-16 Plain, Hex	1
46	3030-140-161	End Fitting, Damper	2
47	9013-173100	Nut, 5/16-18, Hex Self Locking	11
48	9018-103156	Damper To Base Mtg. Screw 5/16-18 x 3-1/2 Hex Hd.	1
49	9010-103124	Damper To Arm Mtg. Screw, 5/16-18 x 1-1/2 Hex Hd.	1
50	9012-103100	Nut, 5/16-18 Plain, Hex	3
51	3030-140-163	Spacer, Damper To Base, 5/16 ID x 1/2 OD x 25/32 Lg	2
53	3030-140-151	Cylinder Bracket Assembly for "G" or "H" cylinder	1
53-A	3030-135-105	Base Plate	1
53-B	3030-135-110	Retainer Plate	1
53-C	3030-135-120	Support Strap	2
54	3030-135-135	Strap & Buckle Assembly	3
55	3097-105-144	Switch, Toggle, DPDT (mom.) NOT SHOWN	1



ITEM NO.	PART NO.	DESCRIPTION	QTY.
56	3030-140-167	Label "Handle Must Be In..." NOT SHOWN	1
57	3030-140-169	Label "Unlock/Lock"	1
58	3030-140-165	Nylon Tree Rivet Hole Dia. 3/16, 7/16	4
59	3030-140-171	Label "Stand Clear..." NOT SHOWN	1
60	3030-140-172	Label "Must Read..."	1
61	3030-140-173	Label Mounting Plate	1
62	9260-001802	Rivet, 3/16, .188-250 Grip	2
63	3030-000-109	Stop, Cylinder	1
64	9010-102512	Screw, 1/4-20 x 3/4 Hex Head	2
65	9112-352500	Thumb Nut, 1/4-20	2
66	9014-112500	1/4 Nom., Flatwasher	4
67	9114-101800	3/16 Rivet Backup Washer	2
71	9120-101102	Drive Screw #4 x 1/8" Type "U"	2
72	0000-000-105	Label, Model Number, Metal	1
73	3030-000-115	Label, "Meets KKK Specs" NOT SHOWN	1
74	9114-113700	5/16 Flatwasher	1
75	3030-135-145	Edge Guard, 2"	8
76	3030-140-178	Label, Remove Strap Before Operating	1
77	3030-135-138	Ratchet Strap & Buckle Assy.	2
78	3030-140-176	Label, Strap Must Be Secured	2

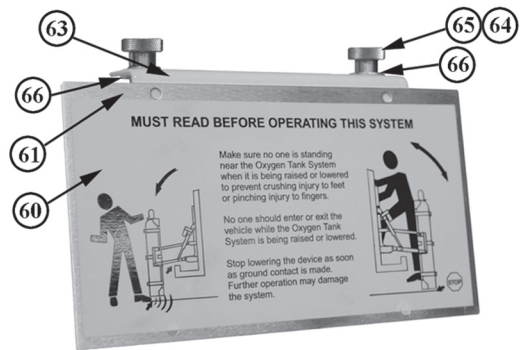
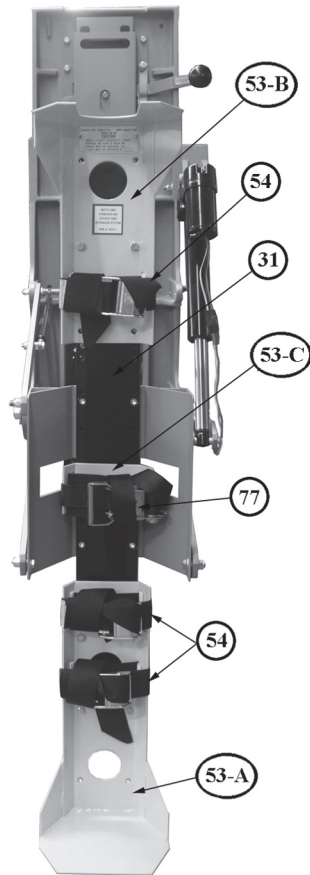
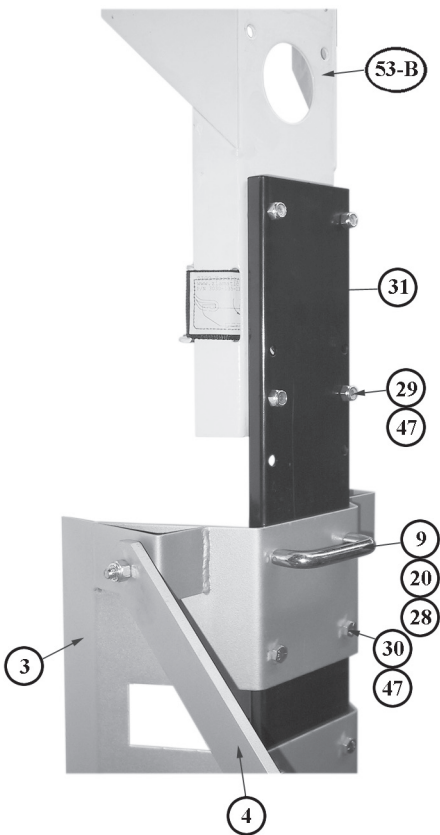
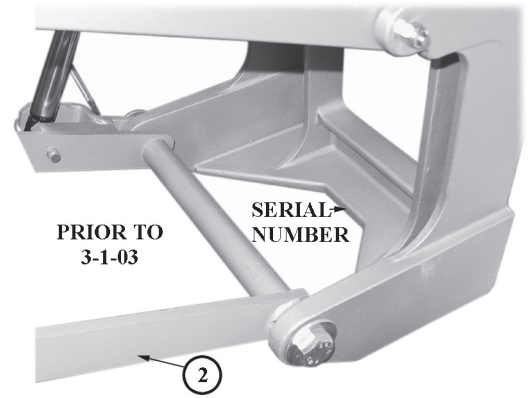
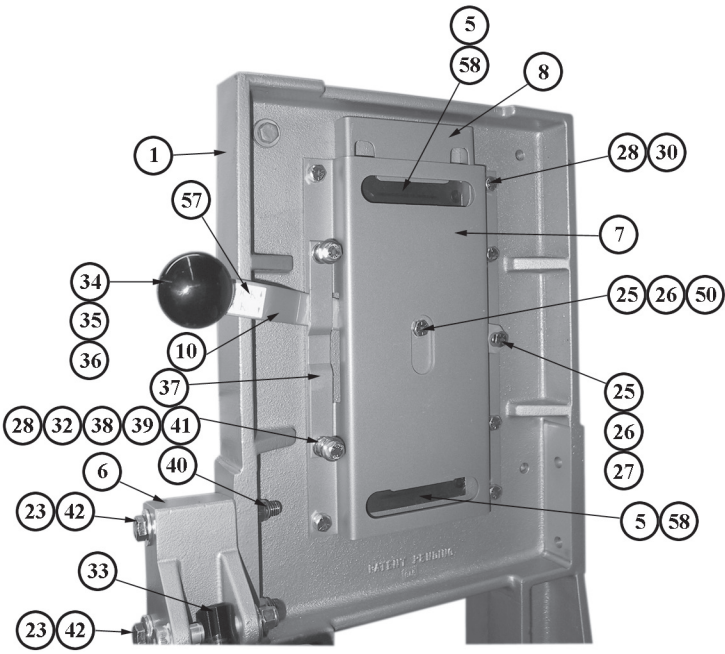


CAUTION

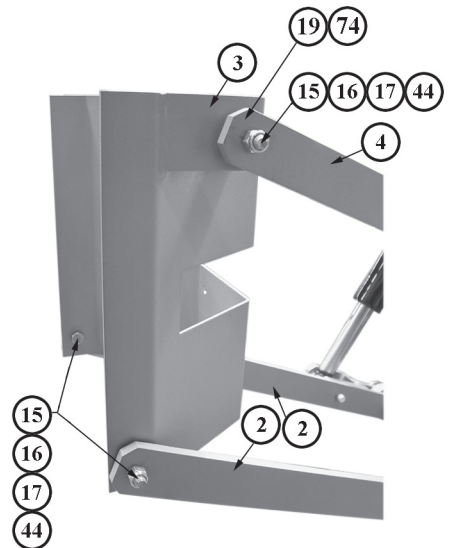
**DAMAGE MAY OCCUR
BEFORE OPERATING
SYSTEM REMOVE
BOTTOM STRAP FROM
ACROSS CYLINDER**

⚠ WARNING ⚠

**STRAP MUST BE
SECURED ACROSS
CYLINDER PRIOR TO
OPERATING VEHICLE**



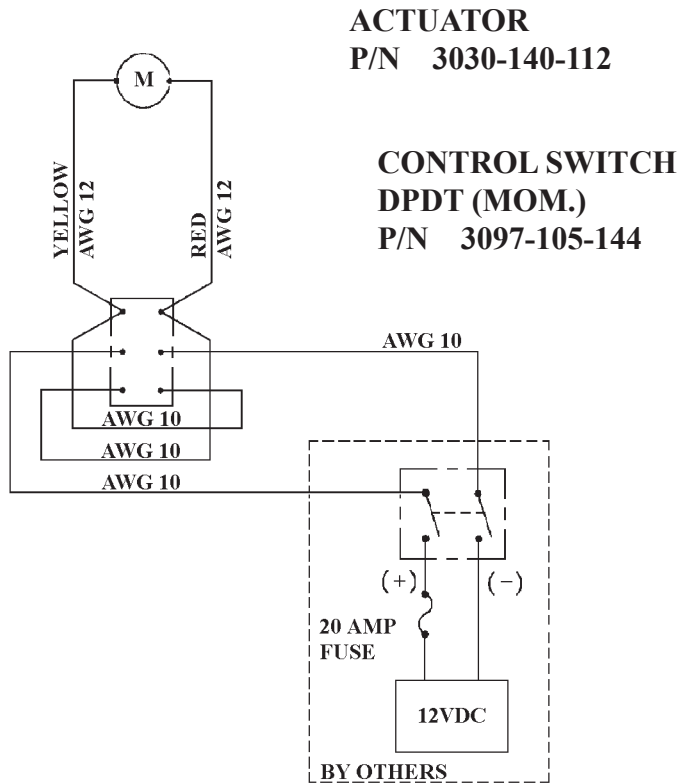
Label Assembly Shipped Unmounted



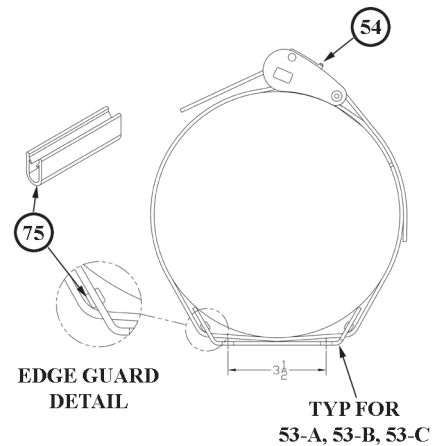
Mounting Recommendations for Model QR-OTS Oxygen Tank Systems:

- **Mounting Hardware:** We recommend use of 3/8" diameter hex head bolts at least Grade 5 in eight (8) places to mount the base casting.
- **Air Hose:** Should be long enough to allow removal of air hose connection when the cylinder has been lowered to the ground.

Wiring Schematic for Toggle Switch:



Proper threading of outside strap through the buckle assembly:



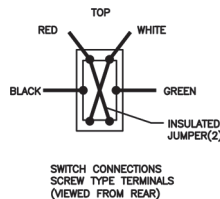
Outside Straps
P/N
3030-135-135

Ratchet Straps
P/N
3030-135-138



Wiring Schematic for Hand-Held Switch:

FIELD WIRING CONNECTIONS	
CABLE	CONNECT TO:
BLACK	12VDC (+)
GREEN	12VDC (-)
WHITE	ACTUATOR (YELLOW)
RED	ACTUATOR (RED)



Hand-held switch may be ordered alone (QR-HHS/B) or with a system in place of the standard toggle switch. Comes with mounting bracket.



Ziamatic Corp.

10 West College Avenue, P.O. Box 337, Yardley, PA 19067-0587 • (215) 493-3618 • FAX: (215) 493-1401

*ZICO is a registered trademark for fire, safety and marine products made by Ziamatic Corp.

www.ziamatic.com

TOLL FREE: 800-711-3473

Copyright Ziamatic Corp. 5-19