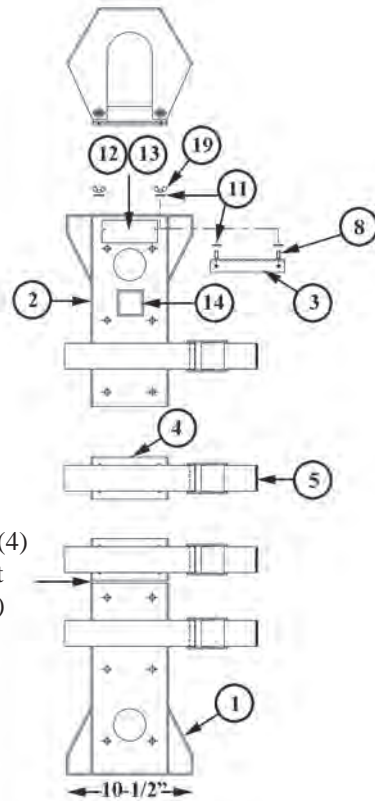
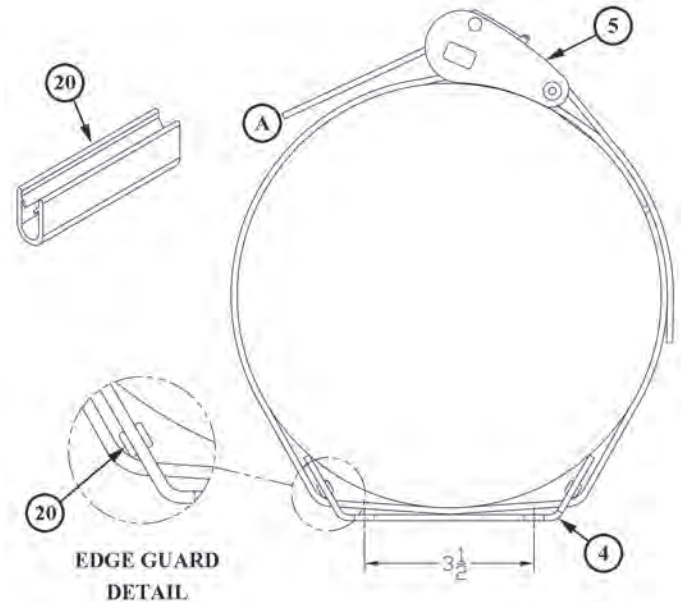


**QUIC-RELEASE® MULTIVERSAL BRACKET  
MODEL QR-MV**

**NOTE: Running end of strap "A" goes under latch and back through front of latch between retainer and thumb release.**



Install lower Strap Support (4) so that lower edge is against upper edge of Base Plate (1)



ITEM NO.	DESCRIPTION	PART NUMBER	PIECES REQUIRED
1	Base Plate Assembly	3030-135-105	1
2	Retainer Assembly	3030-135-110	1
3	Stop	3030-000-109	1
4	Support Strap	3030-135-120	2
5	Strap & Buckle Assembly	3030-135-135	4
8	1/4" x 3/4" Hex Head Bolt	9010-102512	2
11	1/4" Flat Washer	9014-112500	4
12	#4 Drive Screw	9020-101103	2
13	Label "CAUTION/MODEL NO."	3030-135-140	1
14	Label "KKK"	3030-000-115	1
19	1/4-20 x 3/4" Dia. Thumbnut	9012-352500	2
20	Edge Guard, 2"	3030-135-145	8



Ziamatic Corp.

10 West College Avenue, P.O. Box 337, Yardley, PA 19067-0587 • (215) 493-3618 • FAX: (215) 493-1401

www.ziamatic.com

TOLL FREE: 800-711-3473