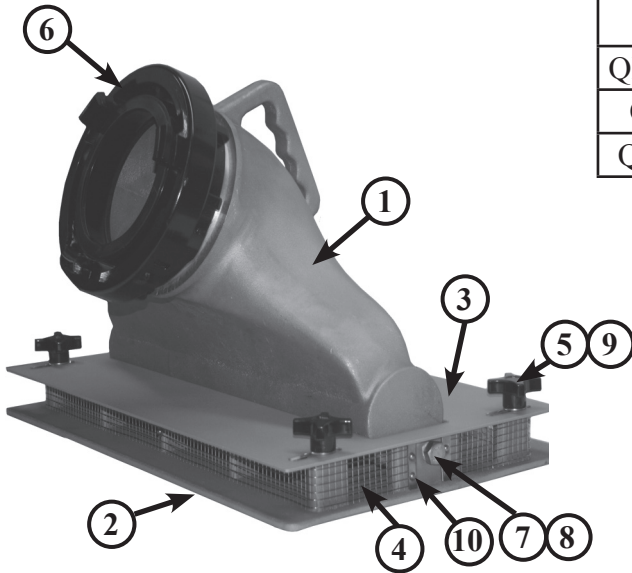


QUIC-DRAFT® Suction Strainer
Model QD-600
Parts and Information Manual



MODEL	DESCRIPTION	WT./@ IN LBS.
QD-600-NST	6" NST Female Coupling	39.2
QD-600-S	6" Storz Coupling	42.2
QD-600-LC	6" Less Coupling	31.4

Unit Dimensions: 22" x 16" x 14"
 (measured with nozzle in lowered position)

ITEM NO.	PART NO.	DESCRIPTION	QTY.
1	2030-125-135	Nozzle Casting	1
2	2030-125-140	Base Casting	1
3	2030-125-147	Upper Plate	1
4	2030-125-185	Screen	2
5	2030-000-130	Ball Knob	5
6A	2000-000-187	Coupling, 6" NST Female	1
6B	2000-125-189	Coupling, 6" Storz	1
7	2030-000-165	Bushing	2
8	9110-105022	Hex Head Bolt 1/2-13 x 1-3/8"	2
9	9114-123700	Flat Washer 3/8" I.D.	4
10	9120-101305	Drive Screw #6 x 5/16"	14



Ziamatic Corp.

10 West College Avenue, P.O. Box 337, Yardley, PA 19067-0587 • (215) 493-3618 • FAX: (215) 493-1401

*ZICO is a registered trademark for fire, safety and marine products made by Ziamatic Corp.

www.ziamatic.com
 TOLL FREE: 800-711-3473
 Copyright Ziamatic Corp. 10-19