



EMS Equipment & Accessories



TABLE OF CONTENTS

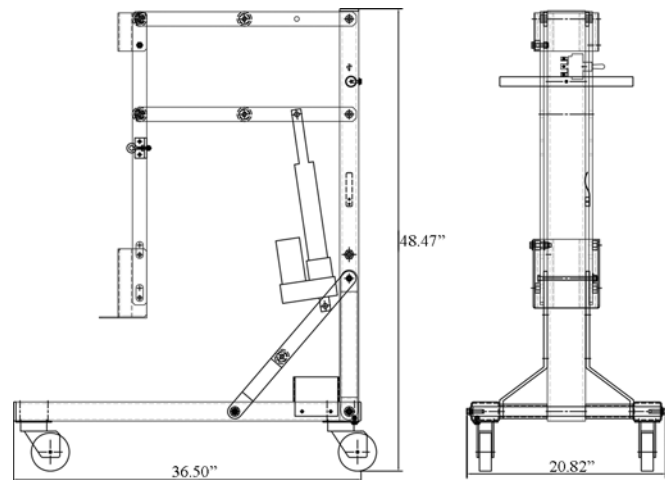
<u>DESCRIPTION</u>	<u>PAGE NO.</u>
QUIC-RELEASE Cylinder Lift	2
QUIC-RELEASE "D" & "E" Cylinder Brackets	3 - 4
QUIC-RELEASE Gas Cylinder Brackets	5
QUIC-RELEASE Gas Cylinder Slides	6
QUIC-RELEASE Oxygen Tank Systems (OTS)	7 - 8
Gas Cylinder Bracket Accessories	9
QUIC-STEP Drop-Down Retractable Vehicle Step	10
QUIC-LADDER Swing Out & Down Vehicle Ladders	11 - 12
QUIC-STRAP Mounting System	13 - 17
LOAD & LOCK WALKAWAY Brackets	18
WALKAWAY Spring Clip Brackets	19 - 20
QUIC-CHOC Wheel Chocs	21
Parking Lights	22

Why risk back strain or injured feet when exchanging medical oxygen cylinders? This Cylinder Lift transports, raises, and lowers “M” through “J” cylinders so you can easily remove the empty cylinder and replace it with a full one.

The Quic-Release Cylinder Lift keeps the cylinder secure once strapped in place before it is raised until after it is secured in the ambulance. This means there is never a point where it is unsecured and could slip and cause an injury.

The unit operates off of a supplied 12v battery. A wall charger is provided with the unit.

To view a video, visit www.youtube.com/ziamatic



Reference Manual 3030PM11

MODEL	DESCRIPTION	WT./@ IN LBS.
QR-CL	Complete cylinder lift	130.0

*Can be shipped via UPS.

Standard “D” Cylinder Bracket with Strap



This heavy-duty stainless steel bracket secures standard “D” gas cylinders (jumbo “D” will not fit). Simply place cylinder in the bracket and hold it in place with the strap provided. Bracket has four holes for mounting.

4-3/4” L x 4-3/8” W x 16-5/8” H

MODEL	DESCRIPTION	WT./@ IN LBS.
QR-D-1	Bracket with Strap for “D” Cylinders	4.1

Strapless “D” Cylinder Brackets

- No straps. No hassles.
- Fast, simple, and self-locking - because every second counts
- Secures standard, jumbo and steel “D” gas cylinders
- Accommodates most regulators
- Backspring ensures snug fit and virtually no rattling
- Durable stainless steel construction
- Easier to clean and disinfect - no fabric to harbor bloodborne pathogens
- Mounts solo or side by side
- 5.65” L x 6.1” W x 17.12” H
- NFPA & AMD Compliant

QR-D-2/H configured for horizontal mounting with reduced rattling.

To view a video, visit www.youtube.com/ziamatic



For strapless “E” Cylinder Bracket, see page 4.

Reference Manual 3030PM14 & 3030PM15

MODEL	DESCRIPTION	WT./@ IN LBS.
QR-D-2	Vertical Strapless “D” Bracket	5.8
QR-D-2/H	Horizontal Strapless “D” Bracket	5.8



NO STRAPS. NO HASSLES.

To secure: Simply place the cylinder in the base and press back through the latches to lock into place.

To Release: Slightly press the cylinder against the backplate, squeeze the latch handles together, and allow the backspring to push the cylinder free.

It's so easy you can do it with one hand!

Features:

- Fast, simple, and self-locking - because every second counts.
- Adjustable bracket secures virtually all standard and steel “E” cylinders.
- Accommodates most regulators.
- Backspring ensures snug fit and virtually no rattling.
- Easy to clean - no fabric to harbor bloodborne pathogens.
- Durable stainless steel construction.
- Mounts vertically solo or side by side.
- Dimensions make it easy to retrofit.
- NFPA & AMD Compliant

Reference Manual 3030PM16

MODEL	DESCRIPTION	WT./@ IN LBS.
QR-E-1	Strapless “E” Cylinder Bracket	5.8

QUIC-RELEASE® Portable Cylinder Carrier



The Portable cylinder carrier allows you to conveniently and safely transport “D”, “E”, and jumbo “D” cylinders. The PDBC snaps onto the cylinder and straps it in place, allowing safe transport to the scene. The handle allows it to be easily carried or hung off of the gurney, freeing up both hands. The 2” strap is made of nylon and is secured with velcro for quick and easy cylinder changes. The strap has a neoprene pad sewn in to keep the cylinder from sliding out.

MODEL	DESCRIPTION	WT./@ IN LBS.	PRICE LIST PAGE NO.
PDBC	Portable cylinder carrier	1.0	16

These 12-gauge steel, PVC-coated brackets are tough, durable and corrosion-resistant. Ideal for use in emergency and rescue vehicles, industrial plants and hospitals. Mount to any flat surface.

All units comply with AMD Standard 003, for oxygen tank retention systems, and GSA KKK specification when used as recommended as well as OSHA and insurance safety regulations.



Standard Fixed Brackets

Model QR-M retains “M” cylinders with 6-3/4” to 7-3/4” O.D.
 Model QR-GH retains “G” and “H” cylinders with 8-1/4” to 9-1/4” O.D.
 Model QR-M-2 for use with QR-SA slide assembly (see page 6).

Patent No. D267,227

Reference Manual 3030PM2

MODEL	DESCRIPTION	WT./@ IN LBS.
QR-GH	Bracket for “G” & “H” cylinders	†27.1
QR-M	Bracket for “M” cylinder	†19.3
QR-M-2	Bracket for “M” cylinder (for use on QR-SA)	†18.2

Multiversal Bracket

Bracket consists of two separate ends (base and retainer), each 14-3/8” L x 10-1/2” W x 8-5/8” H, plus a center strap bracket. The base and retainer ends can be spaced apart to accommodate M, G, H, K and T cylinders. Three heavy-duty web straps hold cylinders securely. Straps adjust to cylinder diameters of 6-3/4” to 11”. For replacement straps, see page 9. Can be used alone or with QR-SA slide assembly (see page 6).

Reference Manual 3030PM1

MODEL	DESCRIPTION	WT./@ IN LBS.
QR-MV	Multiversal Bracket	†17.3

†Indicates packaged weight of part.



Slide Assembly



Shown with QR-MV

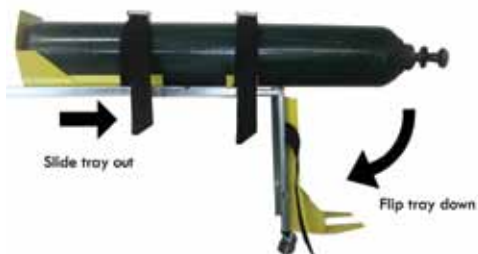


Ideal for use under bench or squad seats in ambulance and rescue vehicles. The fast acting latch system allows the cylinder to be pulled partially out for recharging or all the way out for replacement. The two-part assembly is made of 12-gauge zinc-plated steel and measures 50" long x 9-1/4" wide x 1-1/8" high. For use with either model QR-M-2 or QR-MV brackets.

Reference Manual 3030PM13

MODEL	DESCRIPTION	WT./@ IN LBS.
QR-SA	Slide Assembly	27.1

Slide Assembly with Hinge



Shown with QR-MV

The QR-SAFD mounts easily under ambulance bench seats or any other appropriate horizontal compartment and eliminates the need to raise a heavy cylinder up and over the edge of the cylinder bracket.

To switch cylinders, flip the latch and slide the tray out. Release the hinge to drop the top half of the bracket 90 degrees and out of the way. Slide in the new gas cylinder. Once cylinder is secured, lock bracket back into stored position and slide into the compartment.

For use with QR-MV cylinder bracket (sold separately).

Reference Manual 3030PM17

MODEL	DESCRIPTION	WT./@ IN LBS.
QR-SAFD	Slide Assembly with Hinge	26.75

Slide-Out, Flip-Down Bracket



Shown with QR-M

The tray mounts under the bench seat. Flip the latch and slide the tray out of the compartment. After the slide clears the cabinet door, continue to pull the tray out until it latches, then lower the end of the slide to the ground for easier changing of oxygen cylinders.

May be used with any of the gas cylinder brackets on page 5 (**bracket must be ordered separately**).

Reference Manual 3030PM6

MODEL	DESCRIPTION	WT./@ IN LBS.
QR-SOFD	Slide-Out, Flip-Down Bracket	45.0

Lifts and lowers an apparatus-mounted gas cylinder for quick and easy replacement, substantially reducing risk of injury to personnel.

System is powered by a single electric actuator with a maximum lifting weight of 205 pounds. Actuator meets UL-1500 standard for ignition protection, requires 12 VDC with 30 amp circuit, and is operated via a standard toggle switch. An optional hand-held switch is also available.

Actuator can be specified right or left of system to better fit your needs.

Actuator is backdriving, preventing an extended system from holding the full weight of the apparatus if the air suspension is lowered.

A locking safety latch secures the system when not in use.

Systems come equipped with appropriate cylinder bracket, two standard straps, and one center ratcheting strap (see page 9).





Allows mounting of any “M” through “J” cylinder. Features a QR-MV Multiversal bracket to accommodate a wide-range of cylinder sizes.

Basic device requires a mounting area of 18-1/8” W x 37-5/8” H x 12-3/4” D. Minimum door opening is 14”.

Operating latch is on the same side as the motor.

For optional hand held switch and replacement straps, see page 9.

To view a video, visit www.youtube.com/ziamatic.

Reference Manual 3030PM10

MODEL	DESCRIPTION	WT./@ IN LBS.
QR-OTSR-U	System with motor on right	117.0
QR-OTSL-U	System with motor on left	117.0
QR-OTSR-US	System with hand held switch	119.0
QR-OTSL-US	System with hand held switch	119.0
QR-MV-OTS	Bracket for QR-OTS-U	30.0
3030-155-105	Adapter plate for use with QR-MV bracket	12.0

QUIC-RELEASE® Oxygen Tank Systems - M Only

This unit is designed for use with the standard 42-1/8”L steel “M” cylinder only. This unit will not fit “G” or “H” cylinders.

Occupies less cabinet space than the QR-OTS-U.

Requires a mounting area 15-1/2” W x 33-1/2” H x 10-5/8” D. Minimum door opening is 12”.

Operating latch is on the opposite side of the motor.

For optional hand-held switch and replacement straps, see page 9.

To view a video, visit www.youtube.com/ziamatic

Reference Manual 3030PM5

MODEL	DESCRIPTION	WT./@ IN LBS.
QR-OTS-MR	System for “M” cylinder - motor on right	100.0
QR-OTS-ML	System for “M” cylinder - motor on left	100.0
QR-OTS-MR/HHS	System with hand held switch	102.0
QR-OTS-ML/HHS	System with hand held switch	102.0
QR-M-OTS	Bracket only for “M” cylinder	22.0





Part Number 3030-135-135

Strap and buckle assembly

Standard strap provided with QR-MV brackets (page 5) and the two outside straps on QR-OTS system (page 7).



Part Number 3030-135-138

Ratchet strap and buckle assembly

Quick-acting ratchet strap provided as the new center strap on QR-OTS systems beginning January 1, 2006. Strap will hold the medical oxygen cylinder securely in place, yet releases quickly and easily when the cylinder requires changing.



Model QR-HHS/B

Hand-held switch may be ordered alone or with QR-OTS systems (page 7) in place of the standard toggle switch. Mounting bracket provided.

MODEL	DESCRIPTION	WT./@ IN LBS.
3030-135-135	Strap and buckle assembly	.8
3030-135-138	Ratchet strap and buckle assembly	1.1
QR-HHS/B	Hand-held switch with bracket	1.4



VS-24-11 on fire apparatus (lights not included)

Features:

- VS-24-11 has a larger stepping surface. VS-24-9 has a shorter drop height, making it ideal for lower vehicles.
- Powered by a 12v electric actuator with a patented in-line locking mechanism to hold step rigidly in place.
- Step may be wired to the door interlock system to automatically extend when door opens and retract when door is closed.
- May be retrofitted onto existing apparatus.
- Low maintenance.
- Made from high-strength aluminum alloy and steel for maximum durability.
- Powder-coated and plated for corrosion resistance.



VS-24-9 under ambulance side door

Specs:

- 24" W x 10-5/8" D non-skid stepping surface on the VS-24-11; 24" W x 8-3/8" D non-skid stepping surface on the VS-24-9.
- 10-1/2" drop on the VS-24-11; 7-5/8" drop on the VS-24-9.
- Sustains a static load of 500lbs.
- Meets NFPA 1901-09 requirements for slip resistance and static load.

Improved Design!

- VS-24-9 now standard with a self-contained, solid state, polarity-reversing motor controller - eliminating the need for a complex circuit and making step installation more 'plug & play'.
- Step now stops when sensing resistance/obstacles in its path, resulting in improved property damage prevention and reduced risk of injury.



Reference Manual 3094PM1 & 3094PM4

MODEL	DESCRIPTION	WT./@ IN LBS.
VS-24-11	Retractable vehicle step - 10-1/2" drop	76.0
VS-24-9	Retractable vehicle step - 7-5/8" drop	70.0



Available in 12", 15", and 18" widths.

Stores ladder parallel to the body.

Release the locking handle and pull the ladder out to a comfortable climbing angle.

The ladder automatically latches and will not retract until the scissor lock is raised.

Standard configuration has a two-rung fold-down section and a six-rung main ladder section. Other models available to fit many applications. Provide us with a rear end dimensional print of your vehicle and we will design a ladder to meet your needs.

Cast aluminum rungs have a flat, non-skid surface to provide traction and safety. Each step is 3" deep.

Handrails are 1-1/4" heavy-walled aluminum tubing, covered in a black rough grip powder coat.

Patent Nos.
D442,289
6,378,654

To view a video, visit www.youtube.com/ziamatic



RLP touch-up paint may be used on any of the Zico Rescue Ladders with the rough texture black paint.



MODEL	DESCRIPTION	WT./@ IN LBS.
RLP-12	12 Ounce can	1.0

12" and 15" Widths:

XX is replaced with either 12 or 15 depending on which width you desire

MODEL	DESCRIPTION
RLxx-1-3	1 step fold-down & 3 step straight section
RLxx-1-4	1 step fold-down & 4 step straight section
RLxx-1-5	1 step fold-down & 5 step straight section
RLxx-1-6	1 step fold-down & 6 step straight section
RLxx-1-7	1 step fold-down & 7 step straight section
RL15-1-8*	1 step fold-down & 8 step straight section
RLxx-2-2	2 step fold-down & 2 step straight section
RLxx-2-3	2 step fold-down & 3 step straight section
RLxx-2-4	2 step fold-down & 4 step straight section
RLxx-2-5	2 step fold-down & 5 step straight section
RLxx-2-6	2 step fold-down & 6 step straight section
RLxx-2-7	2 step fold-down & 7 step straight section

*Call for information on 12" version.

18" Width:

Reference Manual 3096PM1

MODEL	DESCRIPTION	WT./@ IN LBS.
RL-0-5	5 step straight section	23.0
RL-1-4	One step fold-down & 4 step straight section	85.0
RL-1-6	One step fold-down & 6 step straight section	108.0
RL-1-7	One step fold-down & 7 step straight section	115.0
RL-2-3	Two step fold-down & 3 step straight section	85.0
RL-2-4	Two step fold-down & 4 step straight section	90.0
RL-2-5	Two step fold-down & 5 step straight section	95.0
RL-2-6	Two step fold-down & 6 step straight section	115.0
RL-2-7	Two step fold-down & 7 step straight section	120.0
RL-SR	Quic-Ladder splice rod	.5
RL-TEB	Quic-Ladder top end bracket	.3

Other sizes available. Contact ZICO for pricing.



Stored position with modified top rails



The popular, economical system for mounting and securing virtually Everything

The ZICO QUIC-STRAP system holds all types of equipment and accessories securely in place, even during bumpy rides in vehicles or on-board boats. Its 360° grip range provides maximum holding power, at far less cost than conventional mounting systems. The straps have several unique features:

- 2" wide heavy-duty nylon straps
- A Velcro hook and loop closure system provides extraordinary holding power
- Easy to install - templates and instructions included
- Strap doubles back on itself through the "D" ring doubling the holding power

The QUIC-STRAP system is actually divided into three separate systems depending upon your needs:

- **Cylinder System** - For use with any cylindrical item
 - Mount SCBA and SCUBA cylinders, oxygen tanks, fire extinguishers, coolers, flare containers and more.
- **Utility Mount System** - Secures dozens of items inside and outside the vehicle
 - Secure hose, tools, stokes, hard and soft sleeve, nozzles and fittings, extrication equipment, appliances, electric cables, traffic cones, foam containers and more.
- **Specialty Application System** - Designed for special problem areas
 - A shoulder strap may be used in conjunction with variable utility straps to transport high rise hose packs, hand tools, fans, saws and other equipment.
 - A hard sleeve strap secures hard sleeves to trays.



Utility straps securing jacks



Cylinder straps on a flare container

Parts listed here may be used in conjunction with cylinder or utility system straps. Their specific function or use will be explained under the appropriate system.

Reference Manual 3099PM1

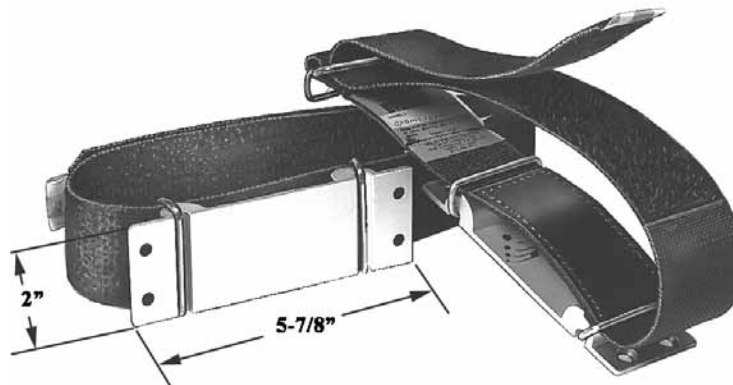
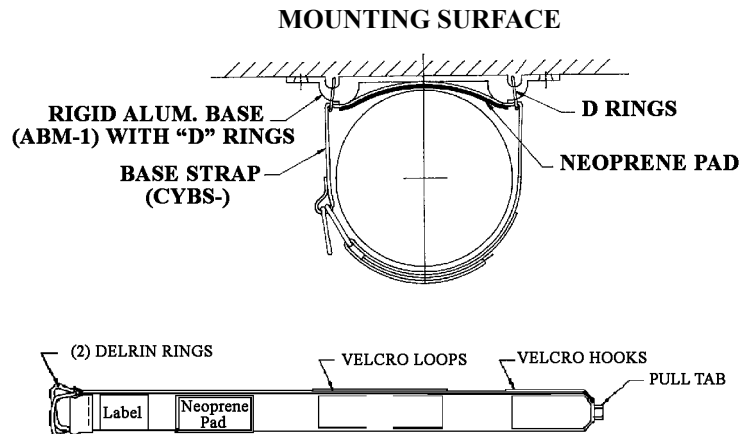
MODEL	DESCRIPTION	WT. IN LBS.
ABM1000002	Aluminum base mount extrusion	.3/ea.
ABM-1	Aluminum base mount extrusion with "D" rings	.4/ea.
FL-1	1" Footman's loop, SZP	.1/ea.
CPFL000003	2" Footman's loop, SZP	.1/ea.
CPTG000001	Tri-glide, Delrin	.1/ea.
CPDR000002	"D" Ring, S/S, 1 pair	.1/pr.

QUIC-STRAP™ Cylinder System

Available for any cylindrical item from 4" to 9" diameter (circumference range of 12" to 29"). Larger straps are available on special order for cylinders to 13-1/2" (43" circumference).

Complete System (CYBM-) - Comprised of one base strap (CYBS-) plus one aluminum base mount with "D" rings (ABM-1). One CYBM- unit will retain one cylinder. Two units should be used with any cylinder if the base is unsupported, or if the weight of the cylinder exceeds 50 pounds or three-feet in length. Three units are suggested if the cylinder weight exceeds 100 pounds or four-feet in length.

Base Strap (CYBS-) - Neoprene pad on strap holds cylindrical item in place. Used in conjunction with ABM-1 extrusion to make a complete mounting unit (CYBM-).



Shown: Two CYBM units



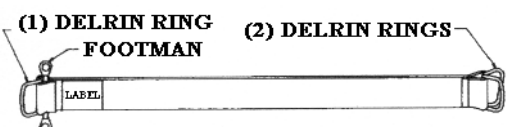
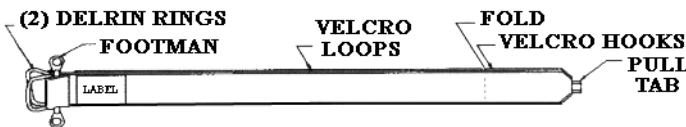
Cylinder straps retaining various fire extinguishers and water cans.

Cylinder straps may also be used with SCBA or other cylindrical items.

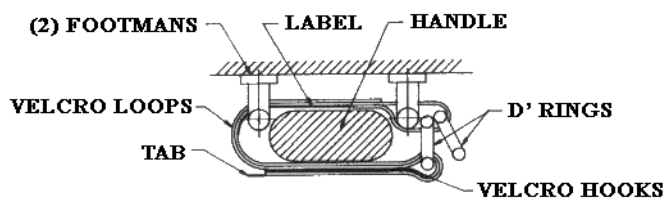
Reference Manual 3099PM1

MODEL	FOR ___-INCH CYLINDER DIAMETER	FOR ___-INCH CIRCUMFERENCE RANGE	SUGGESTED USES	WT/@ IN LBS.
CYBS-1213-40-11 CYBM-1213-40-11	4	12-13	"B" cylinder 3.3 dia. x 16" "D" cylinder 4.2" dia. x 20" "E" cylinder 4.2" dia. x 30" Amerex 2-1/2# Halon Amerex 2-1/2# Dry Chem.	.2 .6
CYBS-1315-45-11 CYBM-1315-45-11	4-1/2	13-15	Amerex #5 Nitrous oxide cylinder 2#	.2 .6
CYBS-1516-50-11 CYBM-1516-50-11	5	15-16	5" 30-40 cu. ft. SCUBA Amerex 5# Halon	.2 .6
CYBS-1618-55-11 CYBM-1618-55-11	5-1/2	16-18	5-1/2" SCBA cyl., 4500 PSI, 30 min. Nitrous oxide cylinder 5#	.2 .6
CYBS-1820-60-11 CYBM-1820-60-11	6	18-20	Amerex 5# Dry Chem. Igloo cooler 1/2 gallon Nitrous oxide cylinder 10#	.2 .6
CYBS-2123-70-11 CYBM-2123-70-11	7	21-23	6-3/4" SCBA cyl., 2216 PSI, 30 min. 6-3/4" SCBA cyl., 4500 PSI, 45 min. 7" SCBA cyl., 4500 PSI, 60 min. Standard 45-100 cu. ft. SCUBA cyl. "M" gas cylinder 7" dia. Amerex 10# Dry Chem. Amerex 2-1/2 gal. pressurized water	.2 .6
CYBS-2426-80-11 CYBM-2426-80-11	8	24-26	Super 80-100 cu. ft. SCUBA cyl. 6-3/4" & 7" SCBA/back packs & regs. Gott cooler 1 gallon Ansul 20# Dry Chem. Stop Fire 20# CO ₂	.2 .6
CYBS-2627-85-11 CYBM-2627-85-11	8-1/2	26-27	Nitrous oxide cylinder 15 & 20#	.2 .6
CYBS-2729-90-11 CYBM-2729-90-11	9	27-29	"G" & "H" gas cyl. 8-1/2" & 9" dia. Amerex 9 & 13# Halon Igloo cooler 1 gallon	.3 .7

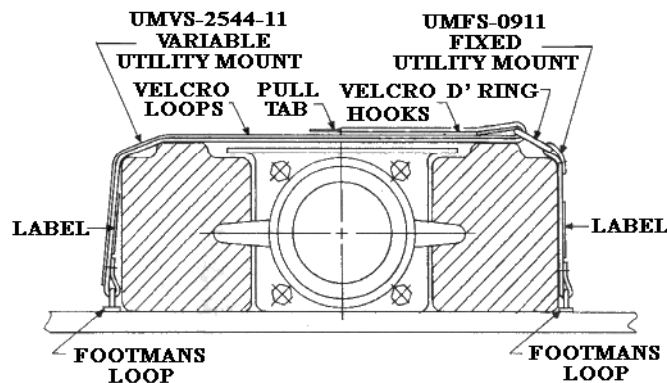
The Utility Mounting System may be used to secure almost any item. Two types of straps are available, **and each comes with one 2" footman's loop for mounting:**

 <p style="text-align: center;">UTILITY MOUNTING STRAP FIXED</p> <p>Fixed Strap (UMFS-) - Available in two-inch increments from 3" to 25". Straps are normally used in conjunction with variable straps to secure most any item. Length measured from inside of "D" ring to inside of "D" ring.</p>	 <p style="text-align: center;">UTILITY MOUNTING STRAP VARIABLE</p> <p>Variable Strap (UMVS-) - Five sizes are available with an adjustment range of 5" to 44". May be used alone, with one additional footman, or in conjunction with a fixed strap. Length measured from inside of "D" ring to fold between loops and hooks.</p>
---	---

Potential Configurations:



Variable strap used with an additional footman's loop. Strap secured to mounting surface by one footman. Second footman (sold separately) mounted on outside of item being secured. Use with axe or tool handles, nozzles, etc.



Variable strap used in conjunction with fixed strap. When used together the fixed strap should come to the top or slightly over the top of the item being secured. Our FDS Floating Strainer may be secured with one UMFS-0911 (fixed strap) and one UMVS-2544-11 (variable strap).



Reference Manual 3099PM1

MODEL	DESCRIPTION	WT. IN LBS.
UMFS-0311	3" Fixed strap	.1/ea.
UMFS-0511	5" Fixed strap	.1/ea.
UMFS-0711	7" Fixed strap	.1/ea.
UMFS-0911	9" Fixed strap	.2/ea.
UMFS-1111	11" Fixed strap	.2/ea.
UMFS-1311	13" Fixed strap	.2/ea.
UMFS-1511	15" Fixed strap	.2/ea.
UMFS-1711	17" Fixed strap	.2/ea.
UMFS-1911	19" Fixed strap	.2/ea.
UMFS-2111	21" Fixed strap	.2/ea.
UMFS-2311	23" Fixed strap	.2/ea.
UMFS-2511	25" Fixed strap	.2/ea.
UMFSCS-0325-11	Complete set of 3" to 25" straps	2.0/set

For additional footman loop, order model CPFL00003. Sold in each.

Reference Manual 3099PM1

MODEL	DESCRIPTION	BEST GRIP RANGE	WT. IN LBS.
UMVS-0565-11	5 to 6-1/2" Variable strap	5.5 - 6.25"	.2/ea.
UMVS-0811-11	8 to 11" Variable strap	7.5 - 10.75"	.2/ea.
UMVS-1116-11	11 to 16" Variable strap	9.25 - 14.63"	.2/ea.
UMVS-1625-11	16 to 25" Variable strap	16 - 25"	.3/ea.
UMVS-2544-11	25 to 44" Variable strap	25 - 44"	.3/ea.
UMVSCS-0544-11	Complete set of 5 to 44" straps	---	1.0/set

The “Load & Lock” is our most economical SCBA bracket that meets NFPA 1901-09 standards for use inside a crew compartment.

The simplistic design allows the bracket to work with many different brands and styles of SCBA with minimal or no set up. The standard ULLH can handle 30 and 45 minute cylinders.

Simply place the SCBA against the seats with the SCBA valve resting on the footplate, then wrap the strap around the SCBA and lock it tightly into place. Releasing the SCBA is done by pulling the lanyard straight out, then leaning forward and standing up.

The bracket consists of a backplate, short footplate, two non-mar double-coated seats and our “Load & Lock” adjustable strap assembly. The backplate and footplate are black thermoplastic coated for years of trouble-free service.



Reference Manual 1054PM1

MODEL	DESCRIPTION	WT./@ IN LBS.
KD-ULLH	Unassembled Load & Lock bracket with strap assembly	5.4
KD-ULLH-ES	Unassembled Load & Lock bracket with strap assembly and ejector spring	5.5
ULLH	Assembled Load & Lock bracket with strap assembly	5.4
ULLH-ES	Assembled Load & Lock bracket with strap assembly and ejector spring	5.5
ULLH-CC	Conversion kit to convert spring style KD bracket to KD-ULLH	2.3
ULLH-CC-ES	Conversion kit to convert spring style KD bracket to KD-ULLH-ES	2.4

The Original Spring Clip Bracket - Accept No Imitations!

The WALKAWAY Bracket secures the SCBA firmly in place by two spring clips. To stow, simply place the valve on the footplate and push cylinder into the clips. To remove, just pull the cylinder free.

A Bracket consists of one backplate, one short footplate, and two spring clips.

Note: Per NFPA regulations, these brackets can only be used in non-crew compartment areas/the station unless the apparatus was manufactured prior to 2003.

Coating Material: All bracket components are coated with a specially formulated thermoplastic. This durable, crack/peel-resistant coating protects the bracket from rust, prevents wear damage to the air cylinder, and provides a slippery finish for easier cylinder removal.

Clip Size: Three sizes of hardened steel spring clips are available. Clips are engineered with unique rounded ends to provide a smooth bearing surface and prevent gouging or marring of cylinder. To find the proper clips for your specific application, please call us at 1-800-711-FIRE.

Assembled vs. Knock-down:

Assembled - Bracket is assembled at our factory for immediate mounting. Clips (2) are affixed to the backplate. Footplate is bolted to the backplate in the position required for your SCBA.

Knock-down (Unassembled) - Bracket requires assembly in the field. All hardware for assembly is included. Requires a few minutes' time with a Torx head screwdriver and 7/16" wrench. The more economical option.



Standard



These WALKAWAY Spring Clip Brackets are designed for low to moderate use.

Features standard black thermoplastic coating.

Note: Per NFPA regulations, these brackets can only be used in non-crew compartment areas/the station unless the apparatus was manufactured prior to 2003.

High Cycle



These WALKAWAY High Cycle Spring Clip Brackets are designed for moderate to high use.

Features standard black thermoplastic coating with a second yellow, non-mar double coating on the clip tips for added bracket durability and cylinder protection.

Note: Per NFPA regulations, these brackets can only be used in non-crew compartment areas/the station unless the apparatus was manufactured prior to 2003.

Full High Cycle



These WALKAWAY Full High Cycle Spring Clip Brackets are designed for constant use.

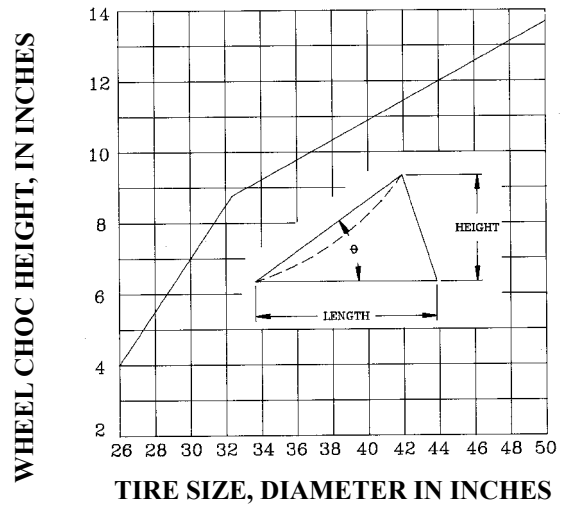
Features standard black thermoplastic coating with a second yellow, non-mar double coating over the entire clip for maximum bracket durability and cylinder protection through constant use.

Note: Per NFPA regulations, these brackets can only be used in non-crew compartment areas/the station unless the apparatus was manufactured prior to 2003.



	AC-1	AC-2	AC-32	AC-44
Height	6-1/2"	8-1/4"	8-1/2"	12"
Width	6"	8-5/8"	8"	11-1/4"
Length	11-3/4"	15"	14-13/16"	21"
Weight (Lbs.)	3.7	7.4	7.5	15.3
Meets NFPA 1901-09		X	X	X
Horizontal holder Model #	QCH-1	QCH-2	QCH-32-H	---
Vertical holder Model #	QCH-11	QCH-22	QCH-32-V	QCH-44-V

Choc height required for various tire diameters, per Society of Automotive Engineers:



WARNING: Undersized chocs may fail to properly restrain vehicle. The apparatus may either roll over or crush an undersized choc, potentially resulting in property damage, bodily injury, or death.

Zico Wheel Chocs feature:

- High tensile strength aluminum construction
- A large rear-opening hand grip
- A double row of rugged teeth that grip almost any firm surface
- NFPA 1901-09 compliant (excluding AC-1) and third-party tested
- Models AC-32 and AC-44 are SAEJ348 compliant

Reference Manual 3025PM4 and 3025PM5

MODEL	DESCRIPTION	WT./@ IN LBS.
AC-1	Medium choc	3.7
QCH-1	Medium choc holder - horizontal	3.7
QCH-11	Medium choc holder - vertical	1.9
AC-2	Large choc	7.6
QCH-2	Large choc holder - horizontal	5.9
QCH-22	Large choc holder - vertical	3.2
AC-32	Choc for up to 32" tire diameter	7.1
QCH-32-H	AC-32 choc holder - horizontal	5.8
QCH-32-V	AC-32 choc holder - vertical	3.0
AC-44	Choc for up to 44" tire diameter	17.6
QCH-44-V	AC-44 choc holder - vertical	7.4
QCH-SL	Safety latch	.2





Shown: Stainless steel LED

Ideal for reversing and parking fire apparatus, rescue vehicles, and ambulances.

Housing available with a polished stainless steel or bare aluminum finish. Aluminum housing may be painted to match the finish of the vehicle.

Easily mounted. Uses a standard par 36 halogen or LED bulb that can be easily replaced.

Neoprene gasket provided with stainless steel parking light to lock out moisture.

LED delivers 450 lumens and draws 550m amps @ 12v or 300 m amps @ 24v.

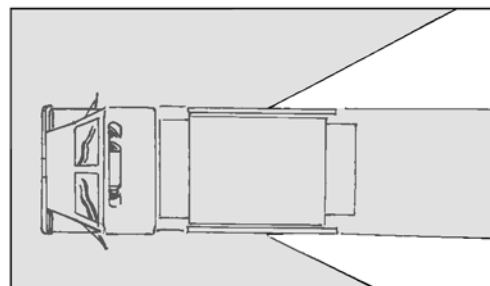
MODEL	DESCRIPTION	WT./@ IN LBS.	PRICE LIST PAGE NO.
ZQL-ARV-H7614	Aluminum parking light - not painted	2.6	32
ZQL-SS-H7614	Stainless steel parking light	3.2	32
ZQL-ARV-LED	Aluminum parking light - not painted LED	2.7	32
ZQL-SS-LED	Stainless steel parking light - LED	3.3	32

Parking Light - ABS Plastic Housing



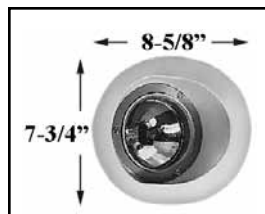
Makes backing up and parking fire apparatus, rescue vehicles and ambulances safer and easier.

This easy to mount light has a corrosion and chip resistant plastic housing which blends with vehicle contours, and can be painted to match. The sealed halogen flood bulb provides 50 watts of light while the LED bulb provides 450 lumens.



All hardware is rustproof stainless steel.

Model
ZQL-RV-H7614
8-5/8" x 7-3/4" x 5" (deep)



MODEL	DESCRIPTION	WT./@ IN LBS.	PRICE LIST PAGE NO.
ZQL-RV-H7614	Parking light	1.5	32
ZQL-RV-LED	LED parking light	1.8	32



Follow Ziamatic Online!



Visit us on the web to browse our products, view product manuals, and join our monthly e-newsletter.



Follow us on Twitter for the latest news, information, images, contests, and more.



Follow us on Facebook for the latest product news and information. Connect with others and see new ways to organize your apparatus.



Visit us on Youtube to view video demonstrations of our latest and most popular products.