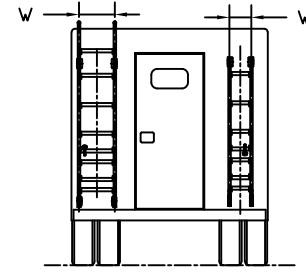


ZIAMATIC QUIC-LADDER ORDER FORM

REV	DATE	BY	REMARKS	ECN
A	3/22/19	PA	ADDED GROUND TO TOP OF BUMPER DIM	
B	11/10/21	PA	ADDED HANDLE MOUNTING LOCATION	

ORDERED BY _____

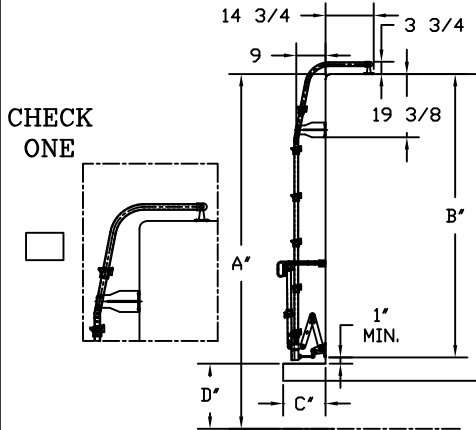
PO NUMBER _____



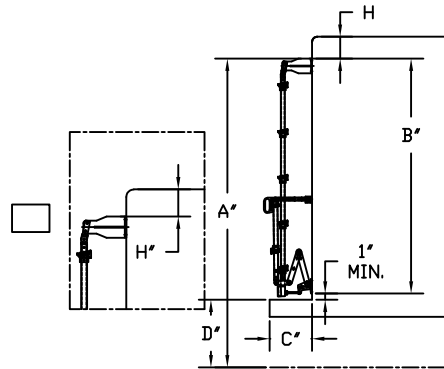
STEP ONE: SELECT ONE BOX FOR LADDER WIDTH

	<input type="checkbox"/>	<input type="checkbox"/>	<input type="checkbox"/>
W	10 3/4" CENTER DIST. (12" MODEL)	13 9/16" CENTER DIST. (15" MODEL)	17 9/16" CENTER DIST. (STANDARD)

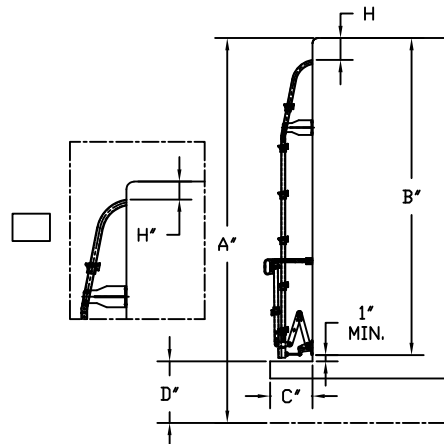
STEP TWO: SELECT TERMINATION STYLE OF LADDER AND FILL IN THE DIMENSION BOX NEXT TO THE STYLE YOU NEED



SYM	DESCRIPTION	DIM.(INCHES)
A	GROUND TO TOP OF TRUCK	-----
B	TOP OF TRUCK TO BOTTOM OF LOWER BRACKET (LOWER BRKT. MOUNTS 1 "(MIN) ABOVE BUMPER)	-----
C	BACK OF TRUCK TO REAR OF BUMPER	-----
H	TOP RAIL TERMINATION TO TOP OF TRUCK	N/A
D	GROUND TO TOP OF BUMPER	-----

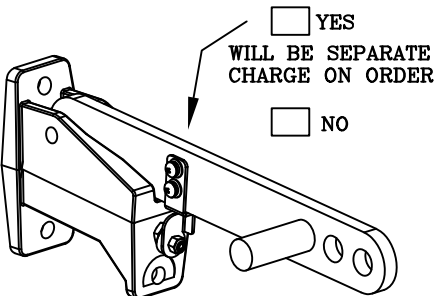


SYM	DESCRIPTION	DIM.(INCHES)
A	GROUND TO TOP OF LADDER	-----
B	TOP OF LADDER TO BOTTOM OF LOWER BRACKET (LOWER BRKT. MOUNTS 1 "(MIN) ABOVE BUMPER)	-----
C	BACK OF TRUCK TO REAR OF BUMPER	-----
H	TOP RAIL TERMINATION TO TOP OF TRUCK	-----
D	GROUND TO TOP OF BUMPER	-----



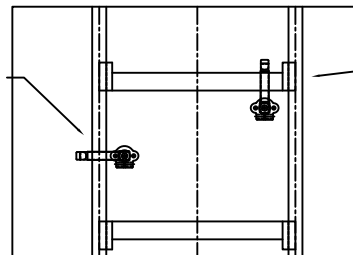
SYM	DESCRIPTION	DIM.(INCHES)
A	GROUND TO TOP OF TRUCK	-----
B	TOP OF TRUCK TO BOTTOM OF LOWER BRACKET (LOWER BRKT. MOUNTS 1 "(MIN) ABOVE BUMPER)	-----
C	BACK OF TRUCK TO REAR OF BUMPER	-----
H	TOP RAIL TERMINATION TO TOP OF TRUCK	-----
D	GROUND TO TOP OF BUMPER	-----

STEP FOUR: OPTIONAL LADDER INDICATOR SWITCH



STEP THREE: SELECT LOCATION OF LADDER RETAINING HANDLE

HANDLE MOUNTED IN ORDER TO HOLD THE RAIL



HANDLE MOUNTED IN ORDER TO HOLD THE RUNG

7ico ZIAMATIC CORP.
YARDLEY, PENNA.

TITLE: QUIC LADDER CUSTOMER INFO FORM

DATE: 1/5/2023 SCALE: (D)

DR. PA: [] CK: [] APPV'D: []

DR. ND: []

3096005 000 CUST FORM

REV C

THIS DRAWING IS THE PROPERTY OF ZIAMATIC CORP. IT CONTAINS INFORMATION RECORDED AS CONFIDENTIAL. THIS DRAWING AND THE INFORMATION THEREON IS NOT TO BE USED IN CONNECTION WITH OTHER PROJECTS WITHOUT THE AUTHORIZATION OF ZIAMATIC CORP. IT IS TO BE RETURNED TO ZIAMATIC CORP. WITHIN 30 DAYS OF THE DATE OF THE ORIGINAL ISSUE. THIS DRAWING IS NOT TO BE REPRODUCED OR COPIED WITHOUT PERMISSION AND IS TO BE RETURNED WITH ANY COPIES OR RECORDS.