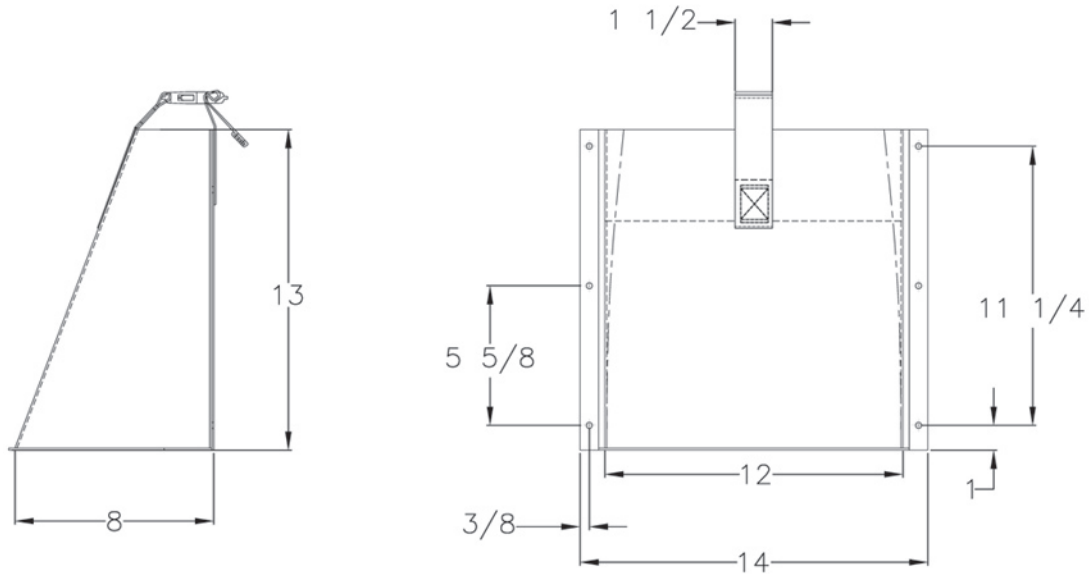


**PERSONAL GEAR/HELMET POUCH  
MODEL PGP-1**



MODEL NO.	DESCRIPTION	WT./@ IN LBS.
PGP-1	Personal Gear/Helmet Pouch	.55

**Mounting Instructions:**

The PGP-1 may be mounted both vertically and horizontally. It must be mounted to a flat, securely sound surface, using a minimum of 1/4" steel hardware.

**Instructions for Proper Use:**

To store a helmet or other items with the PGP-1, simply place items inside of pouch, connect both ends of plastic buckle until locked, and pull strap to tighten as needed. To open pouch, pinch sides of buckle to release, and then remove items.

Fits most traditional and contemporary helmet styles.

ATTENTION: Items may shift inside of pouch during transport.



*Ziamatic Corp.*

10 West College Avenue, P.O. Box 337, Yardley, PA 19067-0587 • (215) 493-3618 • FAX: (215) 493-1401

www.ziamatic.com

TOLL FREE: 800-711-3473