

# HEAVY RESCUE TOOL MOUNT- CUTTER AND SPREADER MODEL: QM-ET-TTC AND QM-ET-TTS PARTS AND INFORMATION MANUAL

Keep your tools mounted safely with Ziamatic's Heavy Rescue Tool Mounts. These brackets are designed to store most extrication tools currently available. Ziamatic's new Heavy Rescue Tool Mounts are most effective when combined with one of our brackets from our Sure-Grip product line. The Heavy Rescue Tool Mounts have been rigorously tested by receiving free falling weight drops of 60 pounds, over 100 times in a row to assure they will withstand the day to day use of firefighting.

- **High Density Polyethylene**
- **Non-corrosive, chemical resistant**
- **Designed to fit most brands of hydraulic and battery operated tools**
- **Can be flush-mounted or spaced from mounting surface to provide clearance for battery. Tested product was 5" from mounting surface using 3/8" hardware (not supplied)**



Scan for more information

**QM-ET-TTS**



**QM-ET-TTC**



**Easy to use:**

**Simply place the jaws into the mount.**

**Secure the handle as desired.**

**We suggest using our**

**Sure-Grip mounts;**

**Suggested Models**

**SG-VM-A**

**SG-VM-XL**

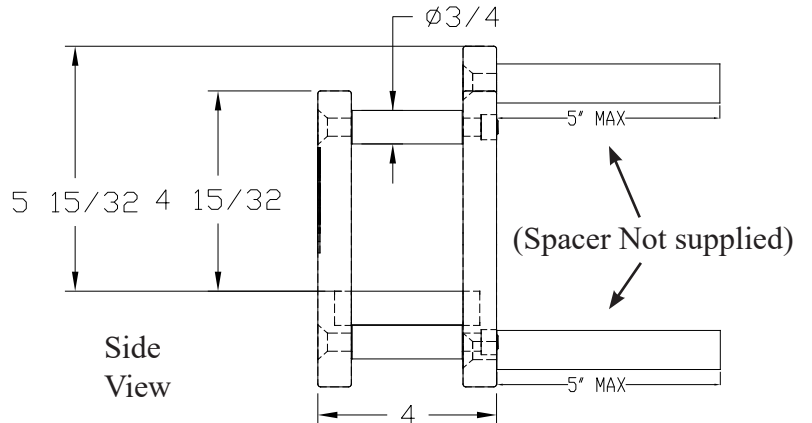
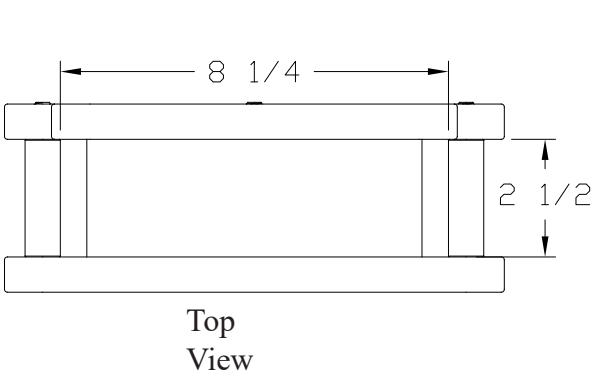
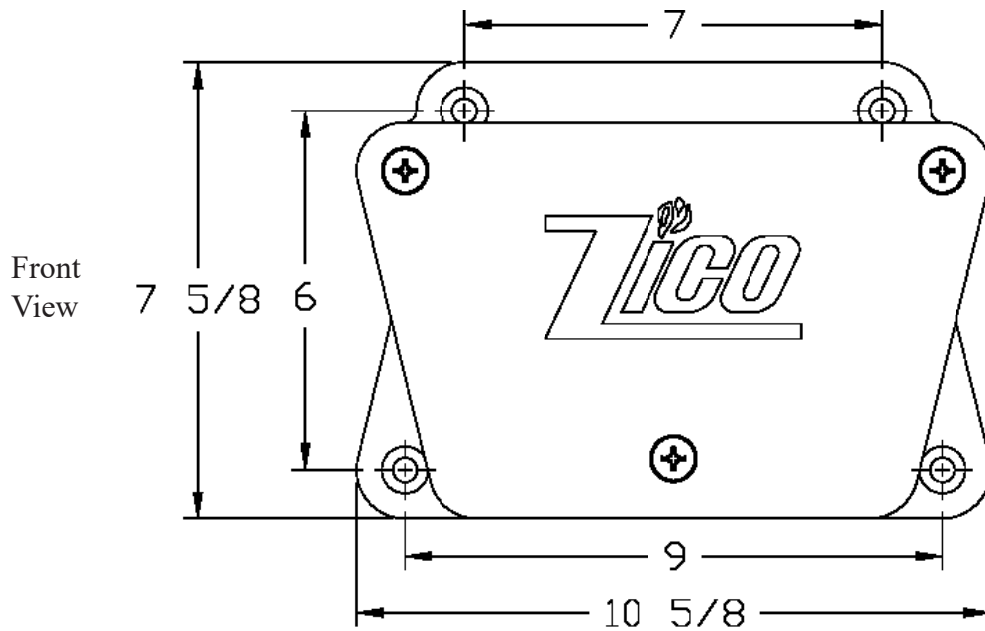
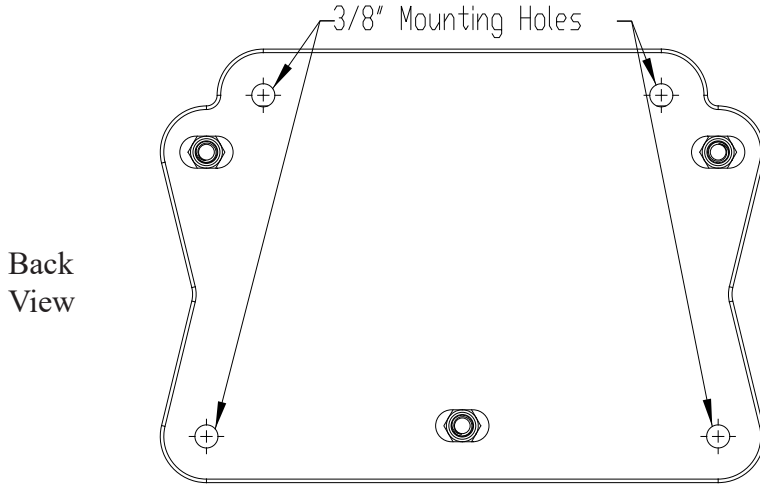
**SG-VM-XLS**



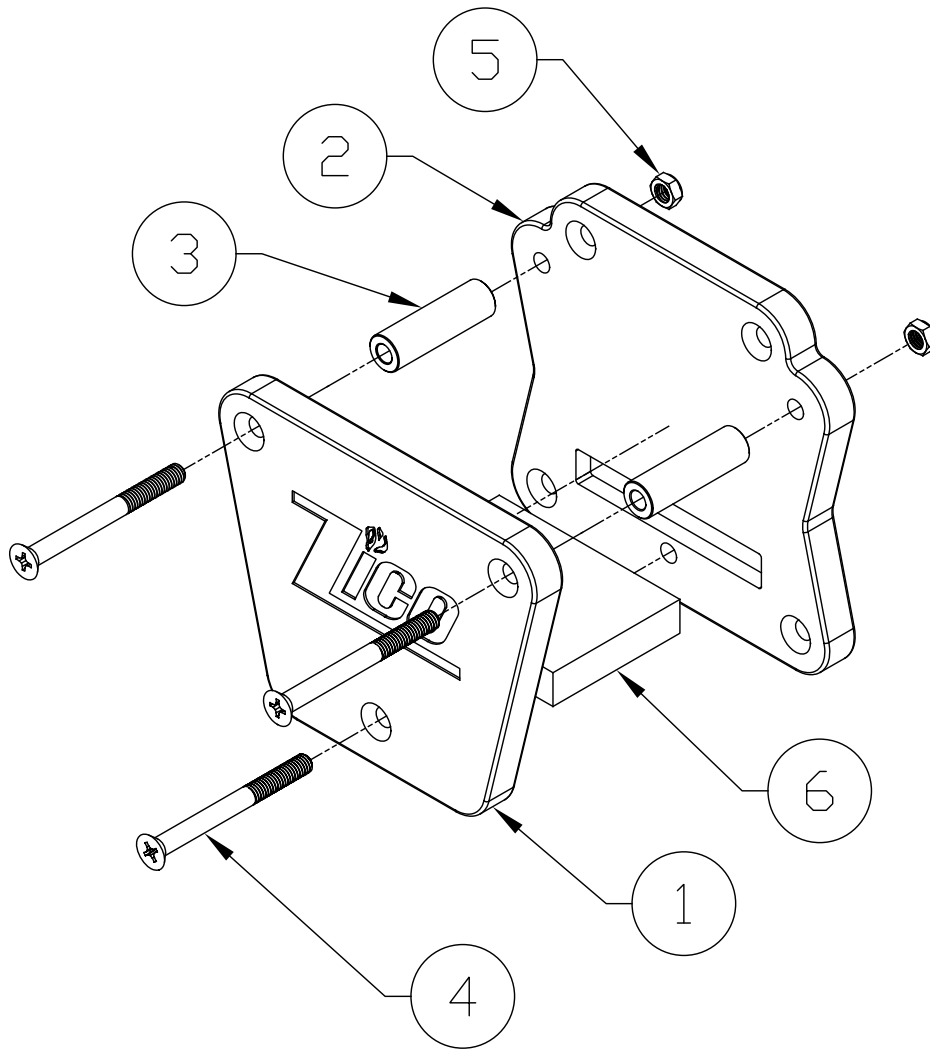
Scan this code to see our most popular Sure-Grip combinations

**Model: QM-ET-TTC**

**Mount to flat surface with 3/8" flat head screws and nuts(not included)**



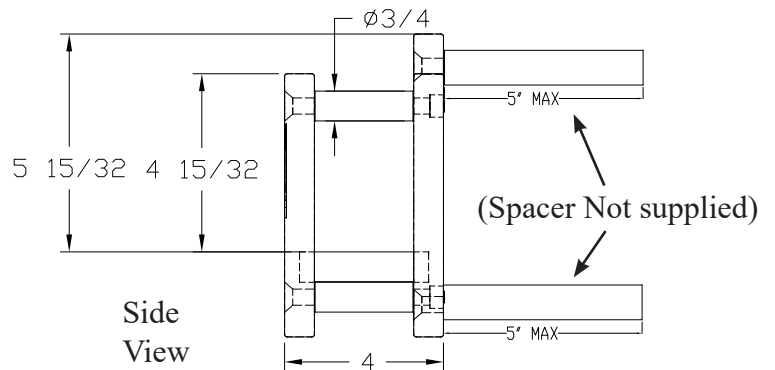
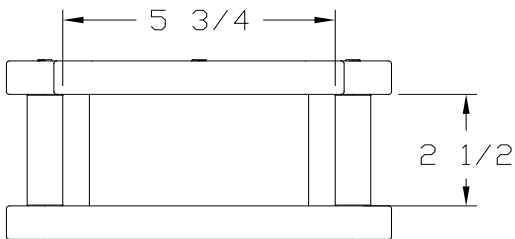
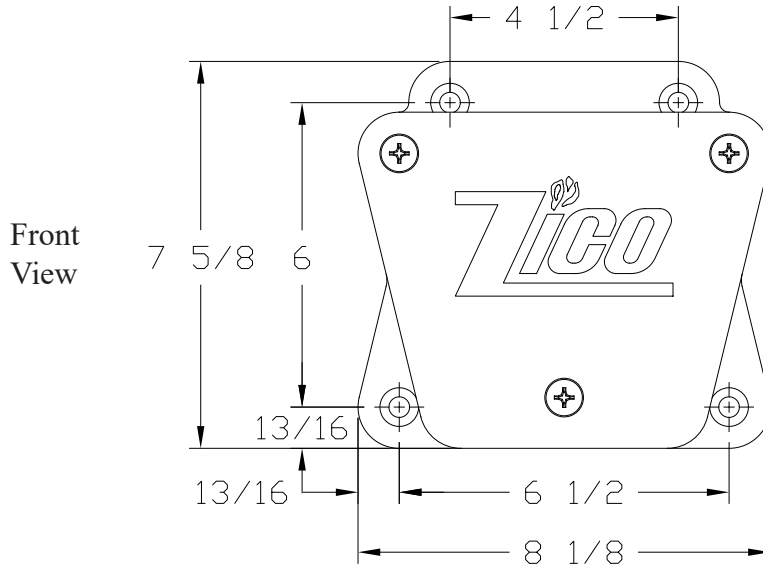
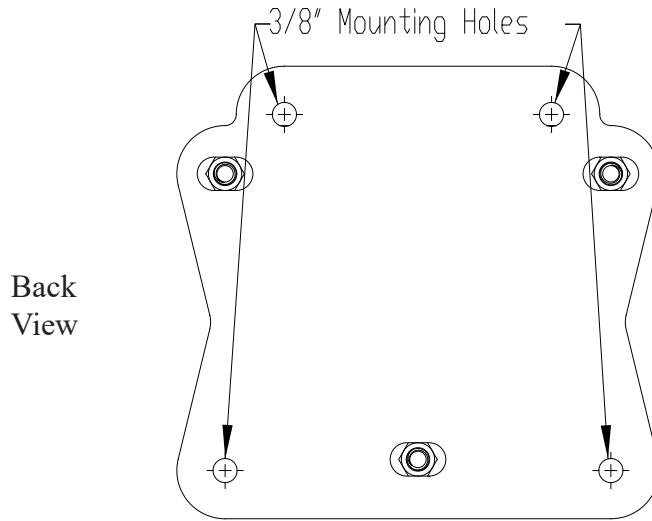
## Model: QM-ET-TTC

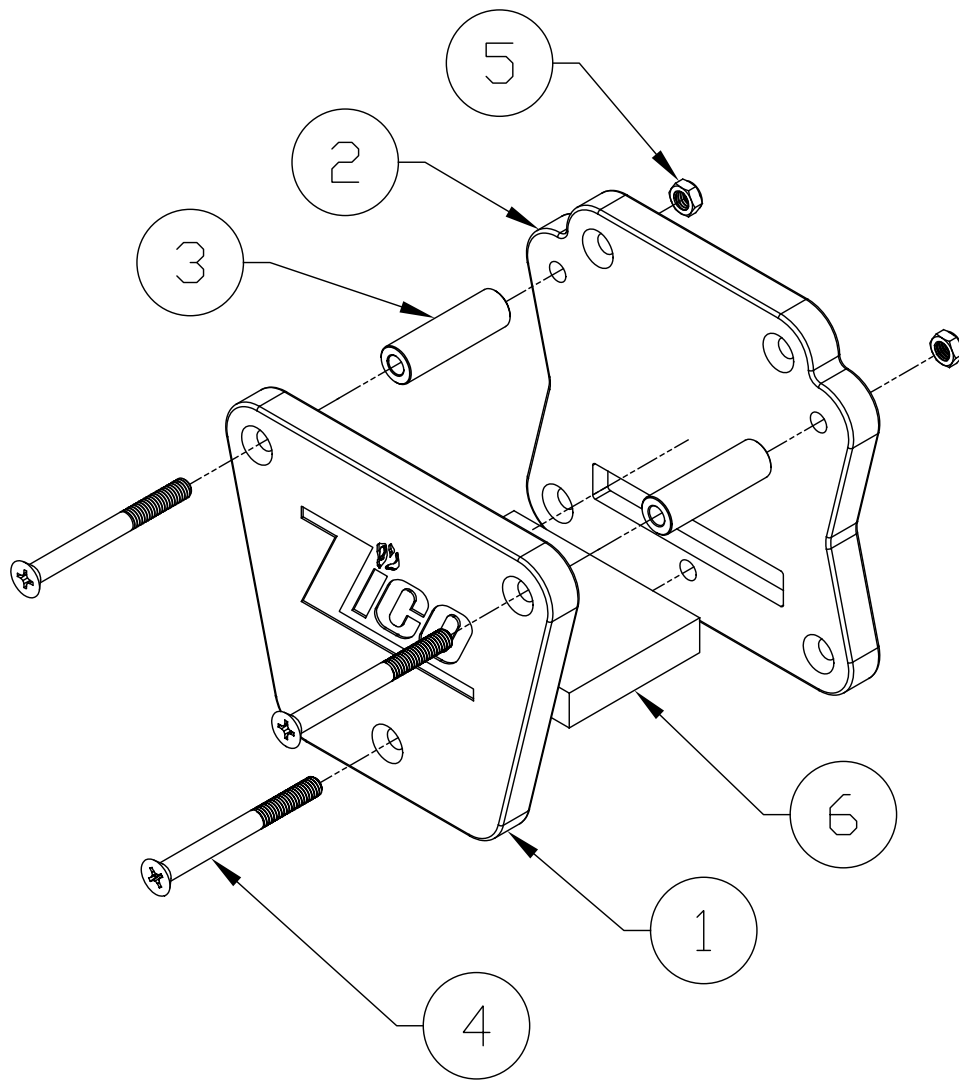


| ITEM NO. | PART NO.     | DESCRIPTION                   | QTY |
|----------|--------------|-------------------------------|-----|
| 1        | 3095-275-101 | FRONT PLATE, QM-ET-TTC        | 1   |
| 2        | 3095-275-101 | BACK PLATE, QM-ET-TTC         | 1   |
| 3        | 3095-270-105 | SPACER, ALUMINUM              | 3   |
| 4        | 9010-163764  | SCREW, 3/8-16 X 4 FH PHIL ZPS | 3   |
| 5        | 9013-173701  | NUT, 3/8-16 NYLON LOCK, ZPS   | 3   |
| 6        | 3095-275-107 | BASE PLATE, QM-ET-TTC         | 1   |

# Model: QM-ET-TTS

Mount to flat surface with 3/8" flat head screws and nuts(not included)





| ITEM NO. | PART NO.     | DESCRIPTION                   | QTY |
|----------|--------------|-------------------------------|-----|
| 1        | 3095-270-101 | FRONT PLATE, QM-ET-TTS        | 1   |
| 2        | 3095-270-101 | BACK PLATE, QM-ET-TTS         | 1   |
| 3        | 3095-270-105 | SPACER, ALUMINUM              | 3   |
| 4        | 9010-163764  | SCREW, 3/8-16 X 4 FH PHIL ZPS | 3   |
| 5        | 9013-173701  | NUT, 3/8-16 NYLON LOCK, ZPS   | 3   |
| 6        | 3095-270-107 | BASE PLATE, QM-ET-TTS         | 1   |



Ziamatic Corp.

10 West College Avenue, P.O. Box 337, Yardley, PA 19067-0587 • (215) 493-3618 • FAX: (215) 493-1401

\*ZICO is a registered trademark for fire, safety and marine products made by Ziamatic Corp.

www.ziamatic.com  
TOLL FREE: 800-711-3473

Copyright Ziamatic Corp. 4-2023