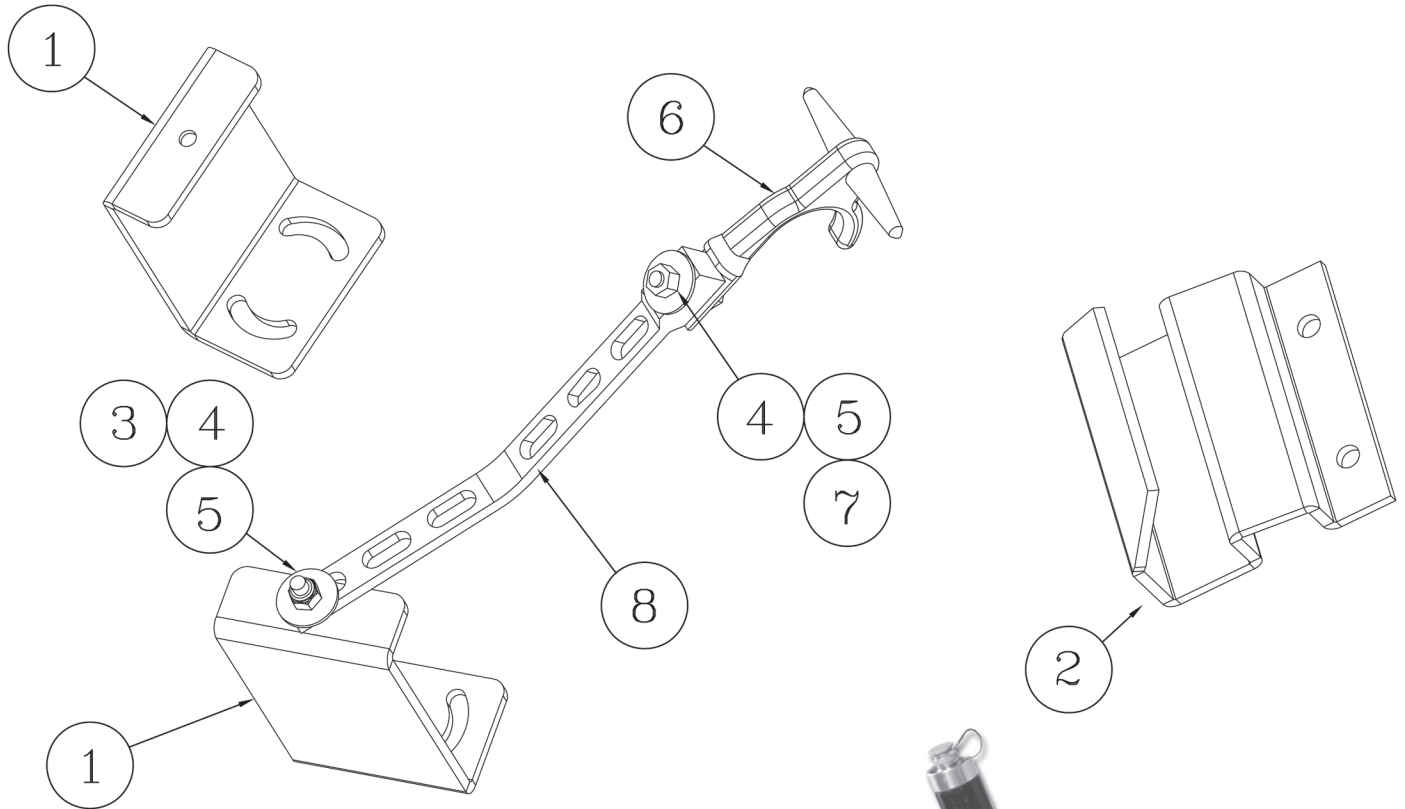


**QUIC-MOUNT VERTICAL EXTRICATION TOOL HOLDER**  
**MODEL QM-ET-V**  
**PARTS AND MOUNTING INSTRUCTION**



ITEM NO.	PART NO.	DESCRIPTION	QTY.
1	3095-239-103	Hanging Angle Universal	2
2	3095-239-101	Hanging Bracket	1
3	9010-162516	1/4-20 x 1" FH Screw	1
4	9013-172500	1/4-20 Nylock Nut, ZPS	2
5	9014-162500	1/4" Wide Washer	2
6	3095-215-109	Strap Handle	1
7	9015-102520	1/4-20 x 1-1/4" Hex Hd Bolt ZPS	1
8	3095-215-107	EPDM Rubber Strap	1

Mounting: Mount components using 3/8" hardware (not included).



**Ziamatic Corp.**

10 West College Avenue, P.O. Box 337, Yardley, PA 19067-0587 • (215) 493-3618 • FAX: (215) 493-1401

\*ZICO is a registered trademark for fire, safety and marine products made by Ziamatic Corp.

www.ziamatic.com  
 TOLL FREE: 800-711-3473  
 Copyright Ziamatic Corp. 10-12