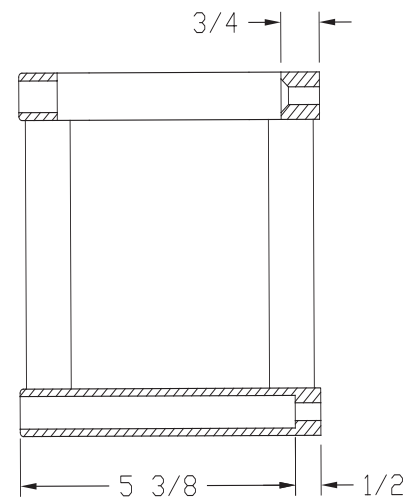
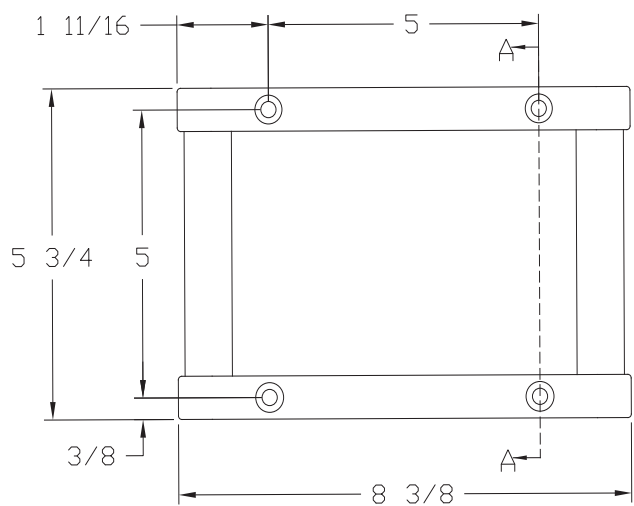
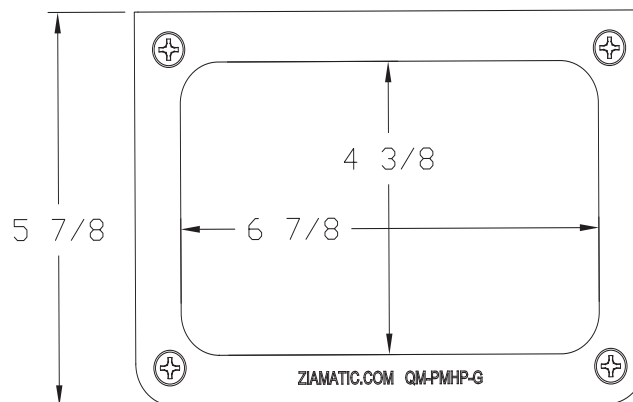


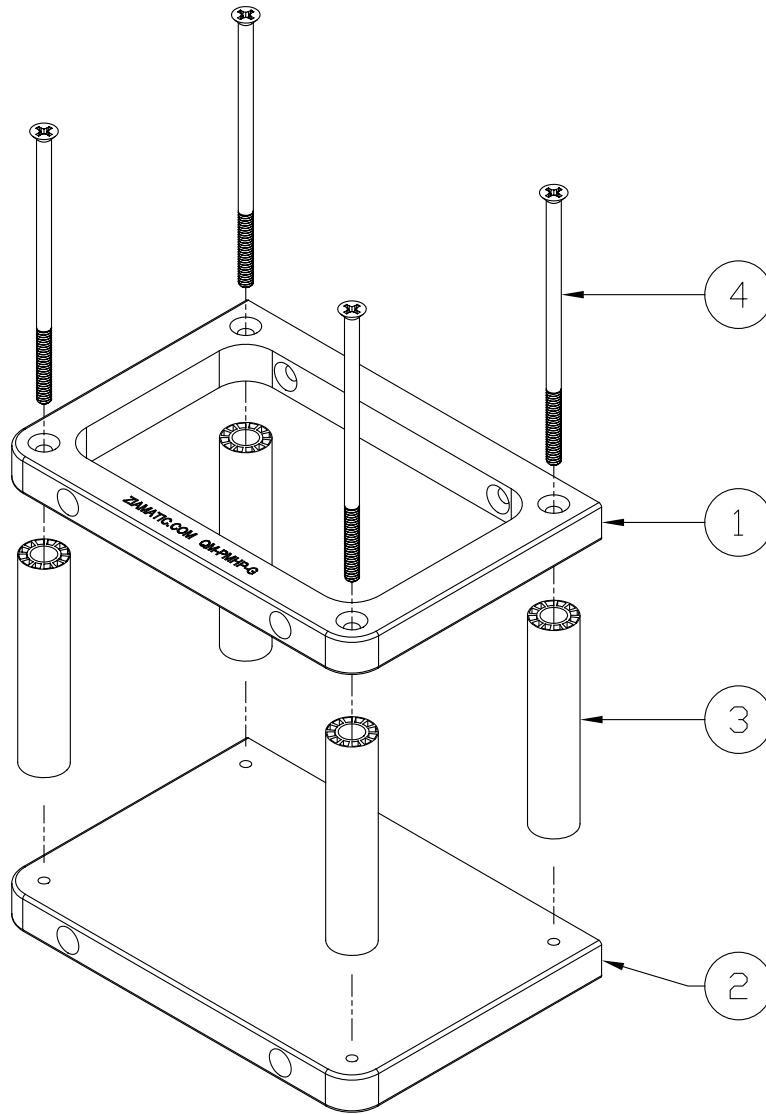
**PLASTIC CONTAINER HOLDER GALLON  
MODEL QM-PMHP-G  
PARTS AND INFORMATION MANUAL**



- Super strong 3/4" thick HDPE plastic.
- Fits:  
Rectangular cans up to one gallon
- Non-corrosive
- Chemical resistant
- Mount to a flat surface with 1/4" hardware (*not included*)



SECTION A-A



ITEM NO.	PART NUMBER	DESCRIPTION	QTY.
1	3087-242-101	Gallon, Premix Retainer	1
2	3087-242-103	Gallon, Premix Base	1
3	3025-000-110	Stand-off, 4-1/4"	4
4	9010-162588	1/4-20 x 5 1/2"L 82° FH Phillip Screw, ZPS	4



**Ziamatic Corp.**

10 West College Avenue, P.O. Box 337, Yardley, PA 19067-0587 • (215) 493-3618 • FAX: (215) 493-1401

www.ziamatic.com

TOLL FREE: 800-711-3473

\*ZICO is a registered trademark for fire, safety and marine products made by Ziamatic Corp.

Copyright Ziamatic Corp. 1-23