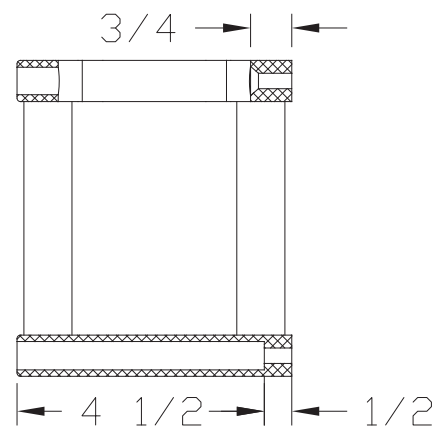
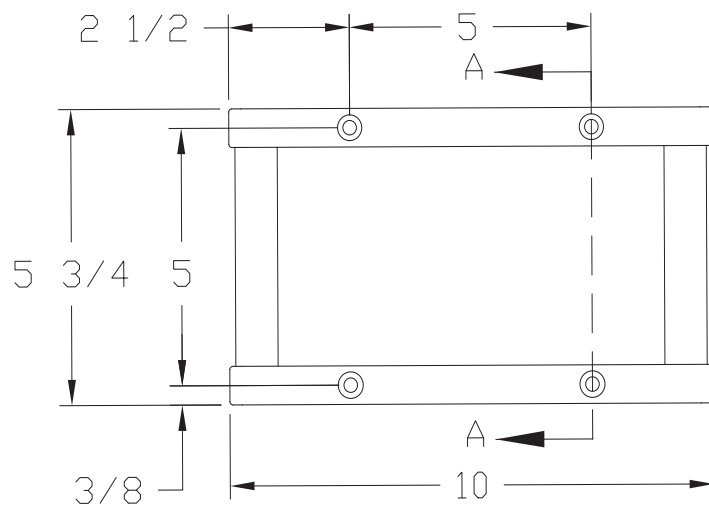
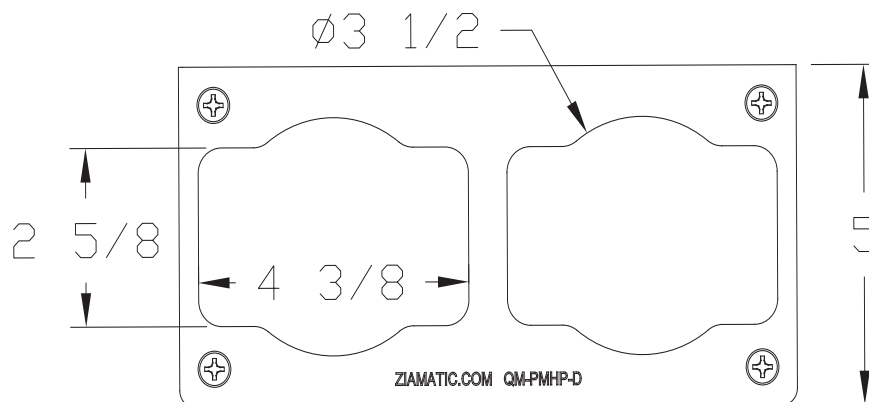


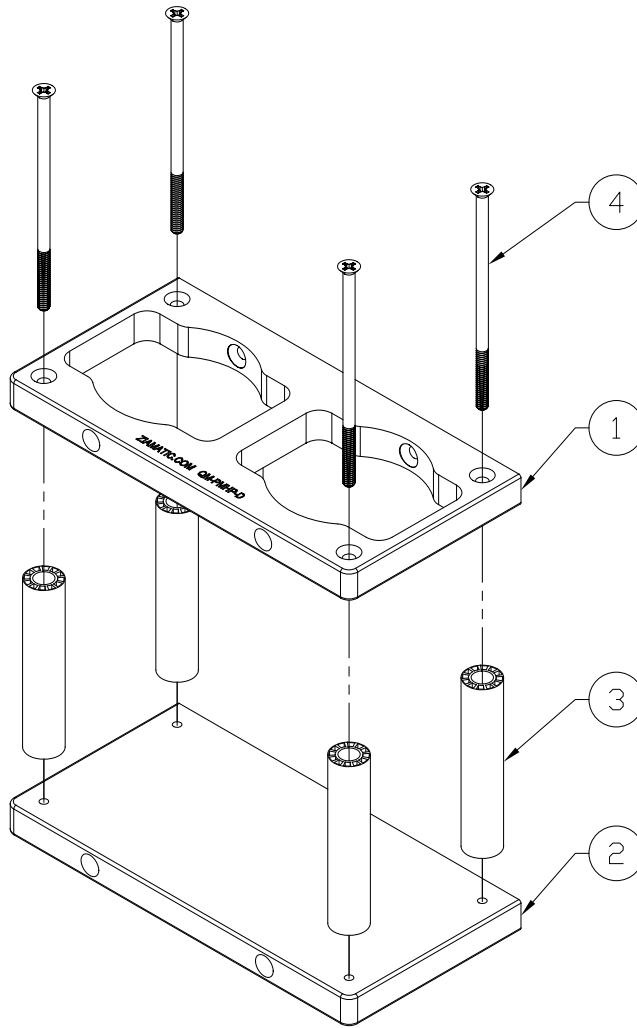
**PLASTIC CONTAINER HOLDER DOUBLE
MODEL QM-PMHP-D
PARTS AND INFORMATION MANUAL**



- Super strong 3/4" thick HDPE plastic.
- Fits:
Two cylindrical cans up to 32 oz. (3-3/8" dia.)
or
Two rectangular 32 oz. (2-5/8 x 4-1/4") quart container
OR
A combination of the two
- Non-corrosive
- Chemical resistant
- Mount to a flat surface with 1/4" hardware (Not Included)



SECTION A-A



ITEM NO.	PART NUMBER	DESCRIPTION	QTY.
1	3087-241-101	Double premix retainer	1
2	3087-241-103	Double premix base	1
3	3025-000-110	Stand-off, 4-1/4"	4
4	9010-162588	1/4-20 x 5 1/2"L 82° FH Phillip Screw, ZPS	4



Ziamatic Corp.

10 West College Avenue, P.O. Box 337, Yardley, PA 19067-0587 • (215) 493-3618 • FAX: (215) 493-1401

www.ziamatic.com

TOLL FREE: 800-711-3473

*ZICO is a registered trademark for fire, safety and marine products made by Ziamatic Corp.

Copyright Ziamatic Corp. 1-23