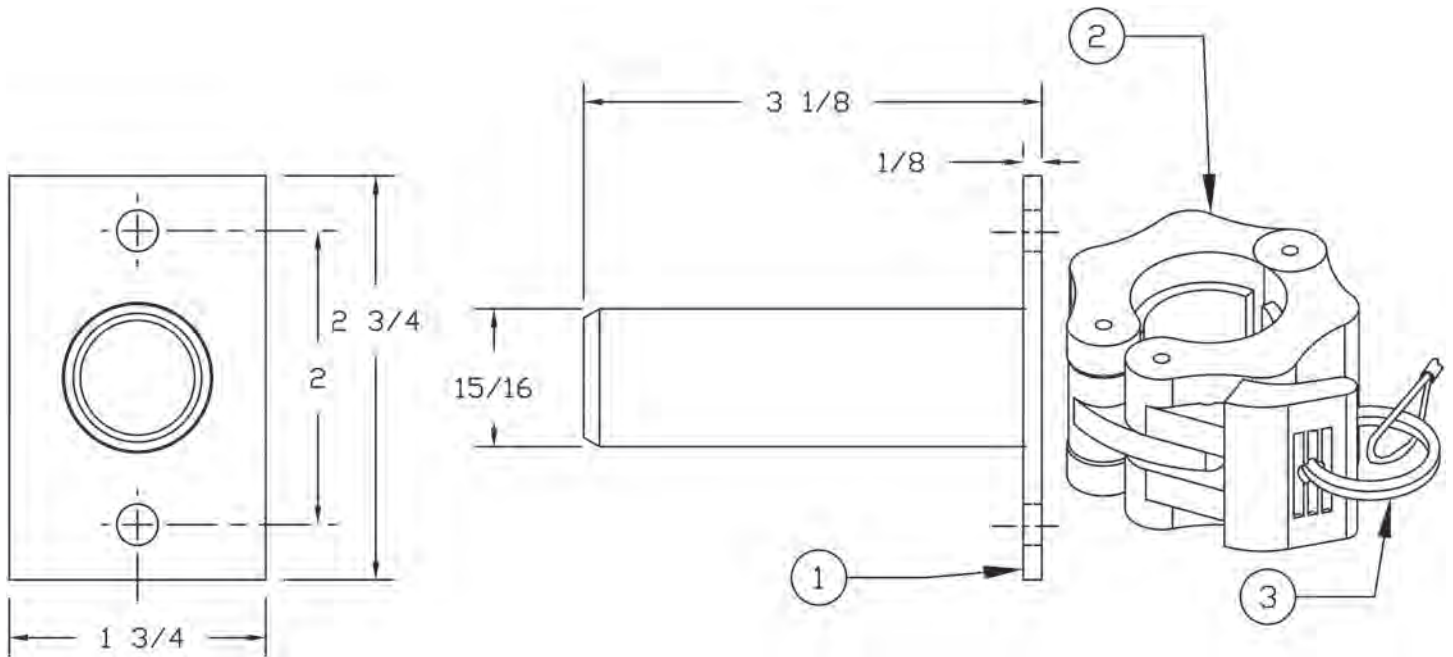


**QUIC-MOUNT® SAW BLADE POST MOUNT**  
**MODEL QM-SBPM**  
**PARTS AND INSTRUCTION MANUAL**

**3087PM12**



MODEL	DESCRIPTION	WT./@ IN LBS.
QM-SBPM	Saw Blade Post Mount	.80

ITEM	PART NO.	DESCRIPTION	QTY.
1	3087-260-101	Saw Blade Post Mount Welded Assy	1
2	3087-260-105	Clamp, 1"	1
3	3087-260-107	10" Lanyard W/1" Key Ring & ø1/4 Tag	1

### **Mounting Instructions:**

Mount post assembly and lanyard using 1/4" hardware.

### **Operating Instructions:**

To stow:

1. Slide blades to be stored onto the post.
2. Slide clamp onto post until it rests against outermost blade.
3. Press clamp arm to tighten clamp around post.

To Release:

1. Pull clamp arm to unlock clamp from post.
2. Slide clamp off post.
3. Remove blades as needed.



*Ziamatic Corp.*

10 West College Avenue, P.O. Box 337, Yardley, PA 19067-0587 • (215) 493-3618 • FAX: (215) 493-1401

[www.ziamatic.com](http://www.ziamatic.com)

TOLL FREE: 800-711-3473

\*ZICO is a registered trademark for fire, safety and marine products made by Ziamatic Corp.

Copyright Ziamatic Corp. 3-16