

QUIC-RELEASE® OXYGEN TANK SYSTEM
MODEL QR-OTS-M_____
PARTS SHEET AND MOUNTING INFORMATION

This unit is designed for use with the standard 42-1/8" L steel "M" cylinder only. It will not work with "M" cylinders shorter or longer than 42-1/8" L and it will not work with "G" or "H" cylinders.

Lowers cylinder safely and quickly to floor level for easy removal.

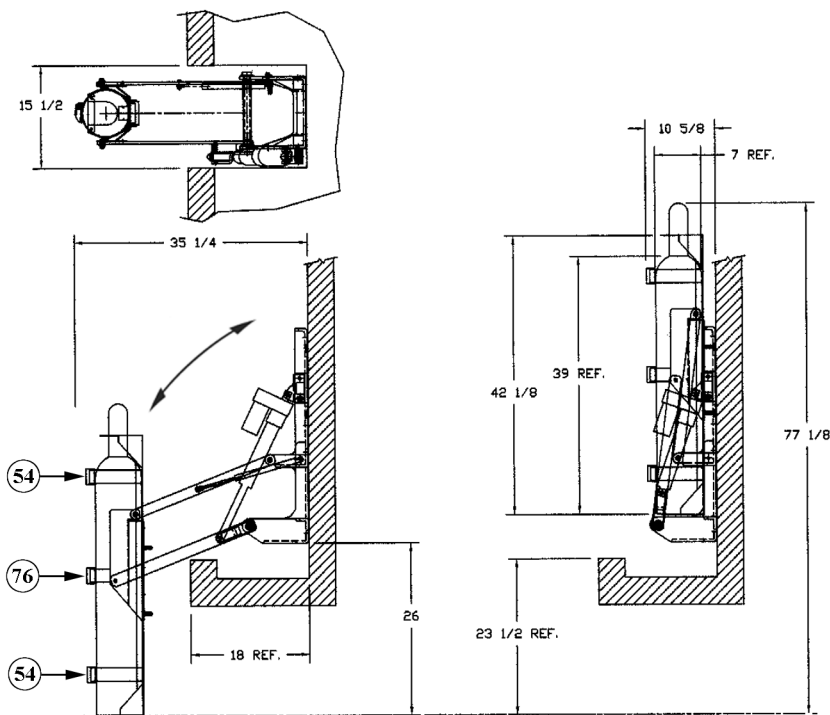
Powered by a single electric actuator meeting UL-1500 Standard for Ignition Protection, the unit has a maximum lifting weight of 205 pounds and requires 12 VDC with 14 amp circuit. Safety latch holds the unit firmly in place.

Operating latch is on the opposite side of the motor. See page 4 for optional hand held switch.

Equipped with a backdriving actuator that prevents unit from holding weight of the apparatus if air suspension is lowered.



Designed specifically for "M" cylinders, this new bracket requires a mounting area 15-1/2" W x 33-1/2" H x 10-5/8" D. Minimum door opening is 12".



| MODEL | DESCRIPTION | WT./@ IN LBS. |
|---------------|--|------------------|
| QR-OTS-MR | System for "M" cylinder - motor on right | 90.0 |
| QR-OTS-ML | System for "M" cylinder - motor on left | 90.0 |
| QR-OTS-MR/HHS | System with hand-held switch | 91.4 |
| QR-OTS-ML/HHS | System with hand-held switch | 91.4 |
| QR-M-OTS | Bracket only for "M" cylinder | 22.0 |
| QR-HSS/B | Hand-held switch with bracket | 1.4 |

FIGURE 2

| ITEM NO. | PART NO. | DESCRIPTION | QTY. |
|----------|--------------|--|------|
| 1 | 3030-145-101 | Base Casting | 1 |
| 2 | 3030-145-103 | Lifting Arm Weldment | 1 |
| 3 | 3030-145-111 | Adapter, Lifting Arm To Tank Brkt. | 1 |
| 4 | 3030-140-113 | Positioning Arm | 1 |
| 5 | 3030-140-116 | Rubber Pad, 1" x 4-1/2" x 1/8" Thk. | 2 |
| 6 | 3030-140-117 | Upper Mtg. Brkt., Actuator | 1 |
| 7 | 3030-140-119 | Housing, Locking Mechanism | 1 |
| 8 | 3030-140-121 | Slider, Locking Mechanism | 1 |
| 9 | 3030-140-123 | Hook, Locking Mechanism | 2 |
| 10 | 3030-145-125 | Handle, Locking Mechanism | 1 |
| 11 | 3030-140-127 | Lifting Arm Sleeve, Steel .765 ID x 1 OD x 1.032 | 2 |
| 12 | 9014-117500 | Plainwasher, 3/4" ID | 2 |
| 13 | 9010-107540 | Screw, 3/4-10 x 2-1/2 Hex Hd. | 2 |
| 14 | 3030-140-149 | Damper, Hydraulic | 1 |
| 15 | 3030-140-133 | Sleeve, Steel, .39 ID x .5 OD x .5 | 4 |
| 16 | 9018-103716 | Pivot Screw 3/8-16 x 1" Hex Hd. Grade 8 | 2 |
| 17 | 9013-173700 | Nut, 3/8-16 Self Locking | 5 |
| 18 | 9018-283720 | Pivot Screw 3/8-16 x 1-1/4 Flat Hd. Grade 8 | 1 |
| 19 | 9014-115000 | Flatwasher, 1/2 ID | 2 |
| 20 | 9018-103116 | Mtg. Screw, Lock Mech 5/16-18 x 1" Hex Hd. Gr 8 | 8 |
| 21 | 9010-315036 | Shoulder Screw, 1/2 x 2-1/4 Grip | 1 |
| 22 | 9050-005056 | Quic Release Pin 1/2 OD x 3-1/2 Grip | 1 |
| 23 | 9018-104364 | Mtg. Screw, Upper Mtg. Brkt. 7/16-14 x 4 HH Gr 8 | 2 |
| 24 | 9010-382512 | Setscrew, Upper Mtg. Brkt. 1/4-20 x 3/4 Cup Point | 2 |
| 26 | 3030-140-141 | Spacer, Steel, .343 OD x .5 OD x .44 | 3 |
| 27 | 3030-140-130 | Washer, Spring 1/2 ID x 1 OD, SS | 1 |
| 28 | 9014-203100 | Lockwasher, 5/16 Split | 15 |
| 29 | 3030-145-127 | Damper Mtg. Plate Stamping | 1 |
| 30 | 9010-103110 | Mtg. Screw, Brkt. To Adapter 5/16-18 x 5/8 Hex Hd. | 12 |
| 31 | 3030-145-131 | Spacer, 1-1/8 ID x 1-5/8 OD x 1/4 | 2 |
| 32 | 9010-103128 | Mtg. Screw, Lock Mech HSG 5/16-18 x 1-3/4 Hex Hd. | 3 |
| 33 | 3030-140-112 | Electric Actuator | 1 |
| 34 | 2070-105-119 | Knob, Plastic | 1 |
| 35 | 9010-113716 | Screw, 3/8-24 x 1", Hex Hd. | 1 |
| 36 | 9014-203700 | 3/8 Split Lockwasher | 1 |
| 37 | 3030-140-147 | Retainer, Latch Handle | 1 |
| 38 | 3030-140-157 | Spacer, Steel, .328 ID x .5 OD x 1 | 2 |
| 39 | 3030-140-159 | Comp Spring, .660 OD x .049 Wire x 7/8 | 2 |
| 40 | 9013-174300 | Nut, 7/16-14 Self Locking | 2 |
| 41 | 9014-113100 | Flatwasher, 5/16 Nom. x 1/16 Thk. | 18 |
| 42 | 9014-114300 | Flatwasher, 7/16 Nom. x 1/16 Thk. | 5 |
| 43 | 9114-113100 | Flatwasher, 5/16 NOM x 3/4" OD S/S | 1 |
| 44 | 9014-113700 | Flatwasher, 3/8 Nom. | 5 |
| 45 | 9013-173701 | Nut, 3/8-16 Low Profile Self Locking | 1 |
| 46 | 3030-140-161 | End Fitting, Damper(Provided with #14) | 2 |
| 47 | 9013-173100 | Nut, 5/16-18, Hex Self Locking | 6 |
| 48 | 9018-103144 | Damper To Base Mtg. Screw 5/16-18 x 2-3/4 Hex Hd. | 1 |
| 49 | 3030-145-149 | Spacer, 5/16 ID x 1/2 OD x 5/8 L | 1 |
| 50 | 9012-103100 | Nut, 5/16-18 Plain, Hex | 1 |
| 51 | 3030-135-136 | Label, Cloth, "Threading Strap..." | 3 |
| 52 | 3030-145-152 | Spacer, 5/16 ID x 1/2 OD x 1/4 L | 1 |
| 53 | 3030-145-151 | Cylinder Bracket Assembly for "M" Cylinder | 1 |
| 54 | 3030-135-135 | Strap & Buckle Assembly | 2 |
| 55 | 3097-105-144 | Switch, Toggle, DPDT (Mom.) NOT SHOWN | 1 |
| 56 | 3030-140-167 | Label "Handle Must Be In..." NOT SHOWN | 1 |
| 57 | 3030-140-169 | Label "Unlock/Lock" | 1 |
| 58 | 3030-140-165 | Nylon Tree Rivet Hole Dia. 3/16, 7/16 | 4 |
| 59 | 3030-140-171 | Label "Stand Clear..." NOT SHOWN | 1 |
| 60 | 3030-140-172 | Label "Must Read..." | 1 |
| 61 | 3030-140-173 | Label Mounting Plate | 1 |
| 63 | 3030-000-109 | Stop, Cylinder | 1 |
| 64 | 9010-102512 | Screw, 1/4-20 x 3/4 Hex Head | 2 |
| 65 | 9112-352500 | Thumb Nut, 1/4-20 | 2 |
| 66 | 9014-112500 | 1/4 Nom., Flatwasher | 4 |
| 68 | 9018-103720 | 3/8-16 x 1-1/4 Hex Hd. M/S G8 | 2 |
| 71 | 9120-101102 | Drive Screw #4 x 1/8" Type "U" | 2 |
| 72 | 0000-000-105 | Label, Model Number, Metal | 1 |
| 73 | 3030-000-115 | Label, "Meets KKK Specs" NOT SHOWN | 1 |

| ITEM NO. | PART NO. | DESCRIPTION | QTY. |
|----------|--------------|---|------|
| 74 | 3030-140-174 | Synthetic Grease, O2 compatible | A/R |
| 76 | 3030-135-138 | Ratchet Strap & Buckle Assy. | 1 |
| 77 | 3030-135-145 | Edge Guard, 2" | 6 |
| 78 | 9014-183100 | Flatwasher, 5/16 ϕ NOM. x THK, Gr. 8 | 4 |
| 79 | 9114-115001 | Flatwasher, 1/2" SS | 2 |

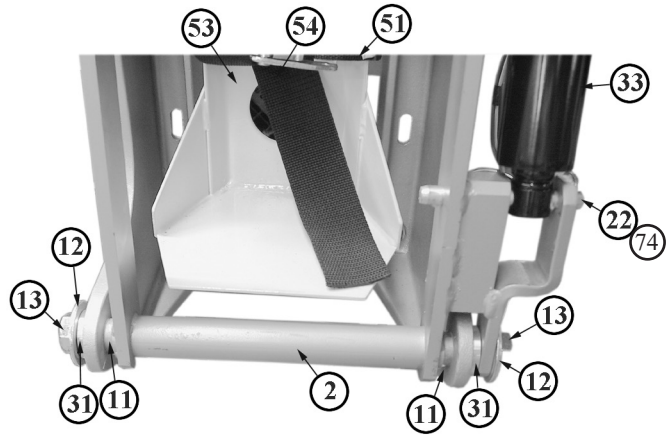
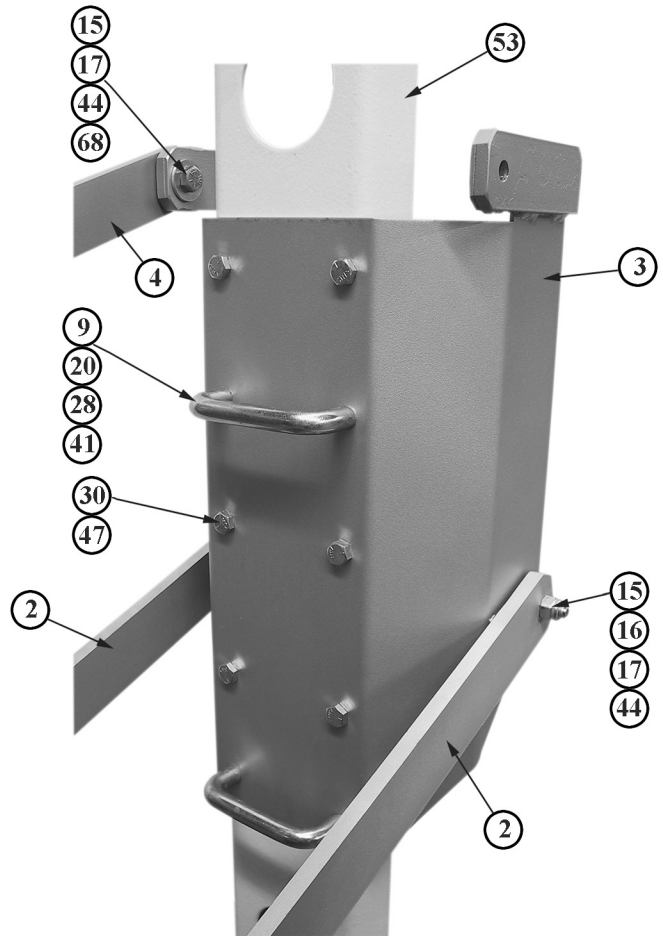


FIGURE 1



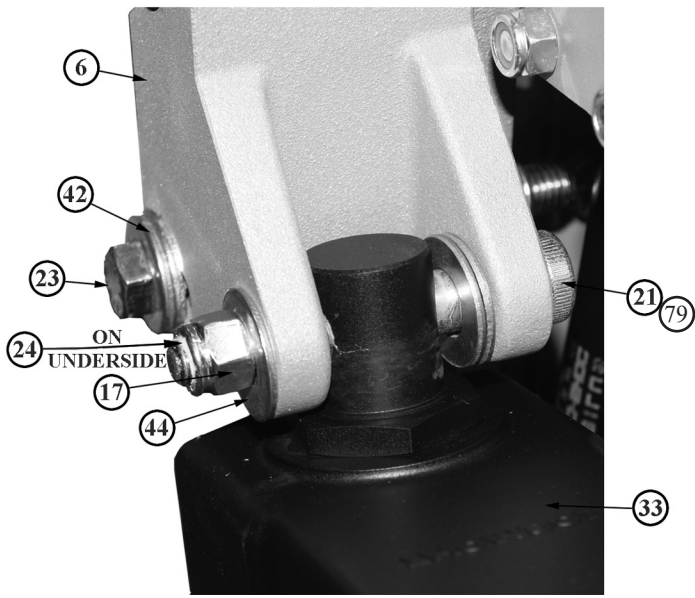


FIGURE 3

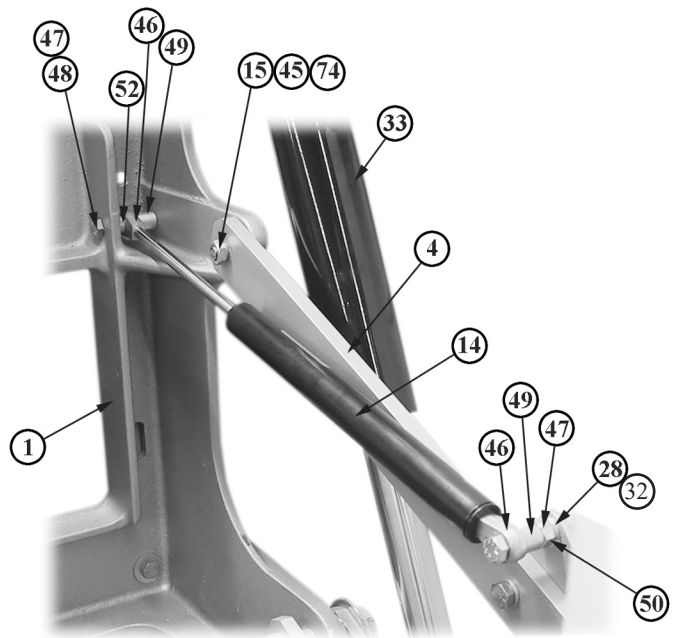


FIGURE 5

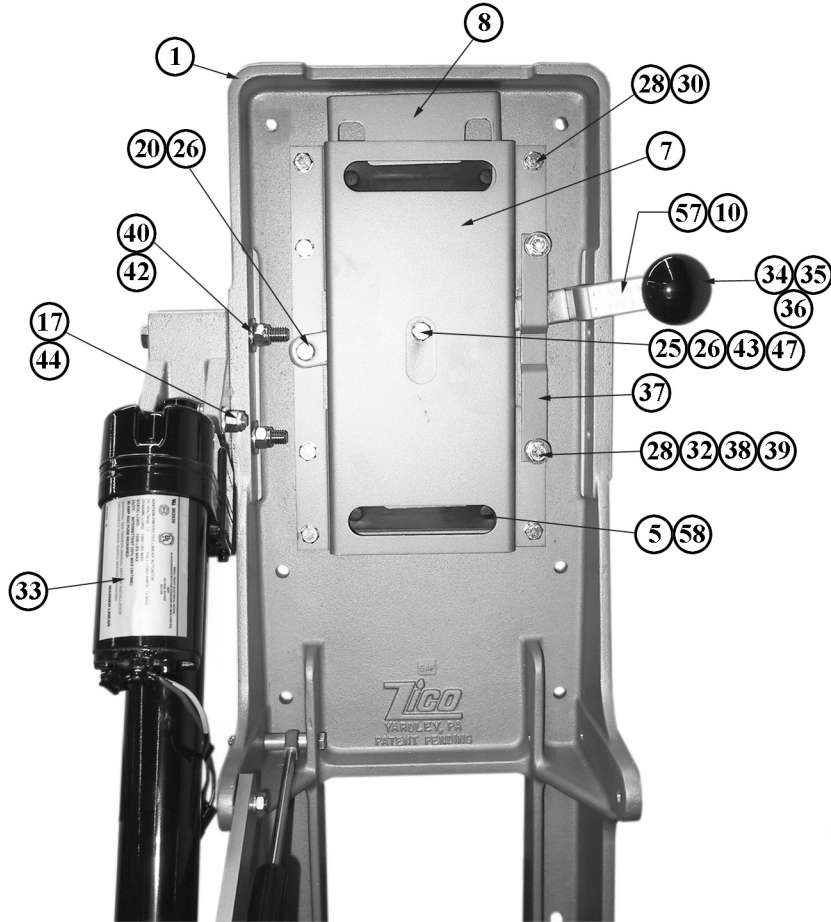


FIGURE 4



FIGURE 6



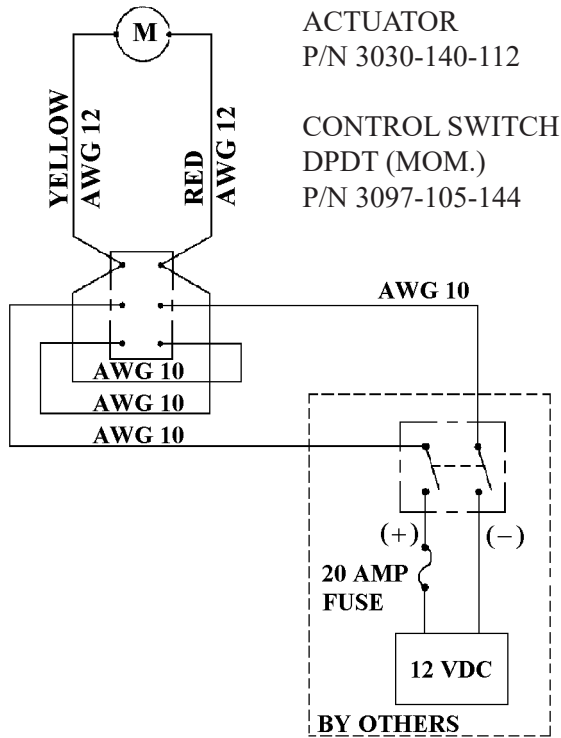
Label Assembly Shipped Unmounted

FIGURE 7

Mounting Recommendations for Model QR-OTS Oxygen Tank Systems:

- **Mounting Hardware:** We recommend use of 3/8" diameter hex head bolts at least Grade 5 in eight (8) places to mount the base casting.
- **Air Hose:** Should be long enough to allow removal of air hose connection when the cylinder has been lowered to the ground.

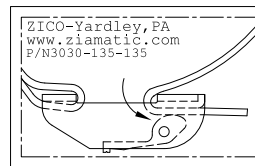
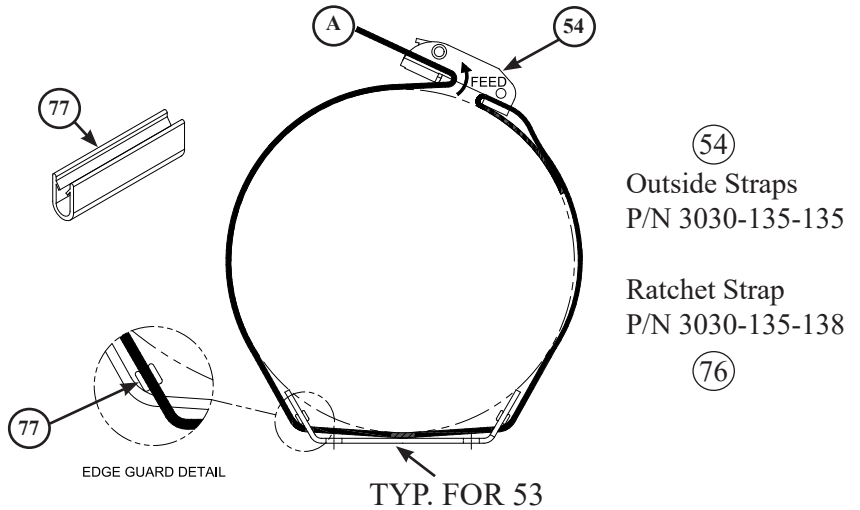
Electrical Schematic for all Systems:



Proper threading of outside strap through the buckle assembly:

IMPORTANT:

Running end of strap "A" goes underlatch and back through front of latch between retainer and thumb release.

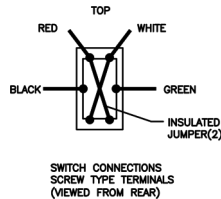


Strap threading label sewn on strap, near buckle

Straps should be inspected frequently and replaced when showing any wear or fraying. Otherwise they should be replaced every 5 years.

Wiring Schematic for Hand-Held Switch:

| FIELD WIRING CONNECTIONS | |
|--------------------------|-------------------|
| CABLE | CONNECT TO: |
| BLACK | 12VDC (+) |
| GREEN | 12VDC (-) |
| WHITE | ACTUATOR (YELLOW) |
| RED | ACTUATOR (RED) |



Hand-held switch may be ordered alone (QR-HHS/B) or with a system in place of the standard toggle switch. Comes with mounting bracket.



Ziamatic Corp.

10 West College Avenue, P.O. Box 337, Yardley, PA 19067-0587 • (215) 493-3618 • FAX: (215) 493-1401

*ZICO is a registered trademark for fire, safety and marine products made by Ziamatic Corp.

Copyright Ziamatic Corp. 1-22