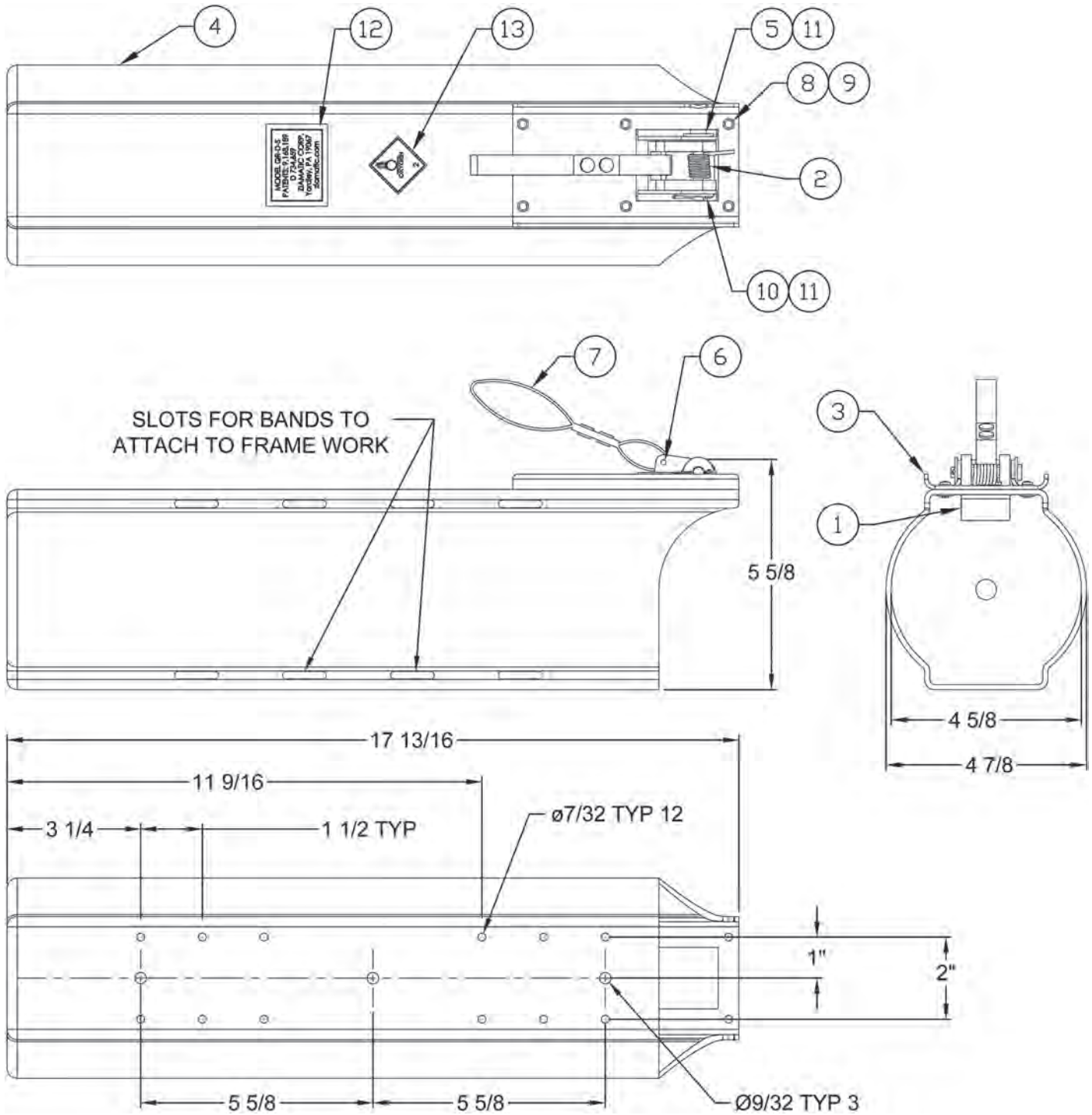


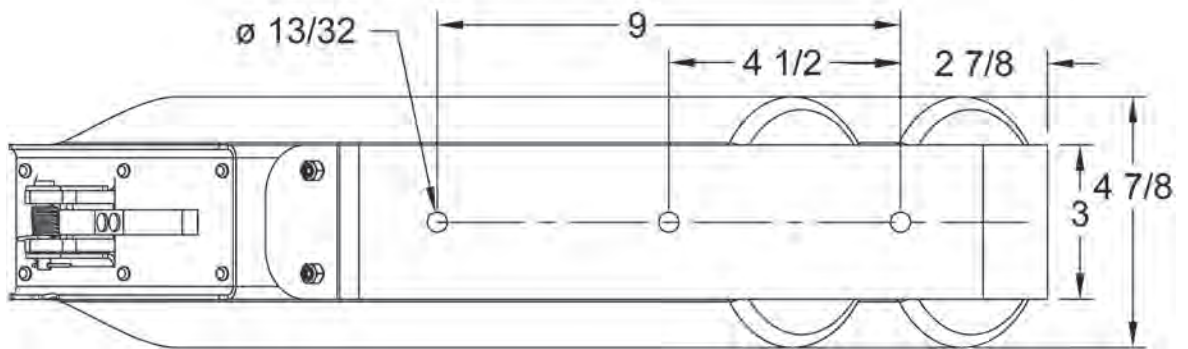
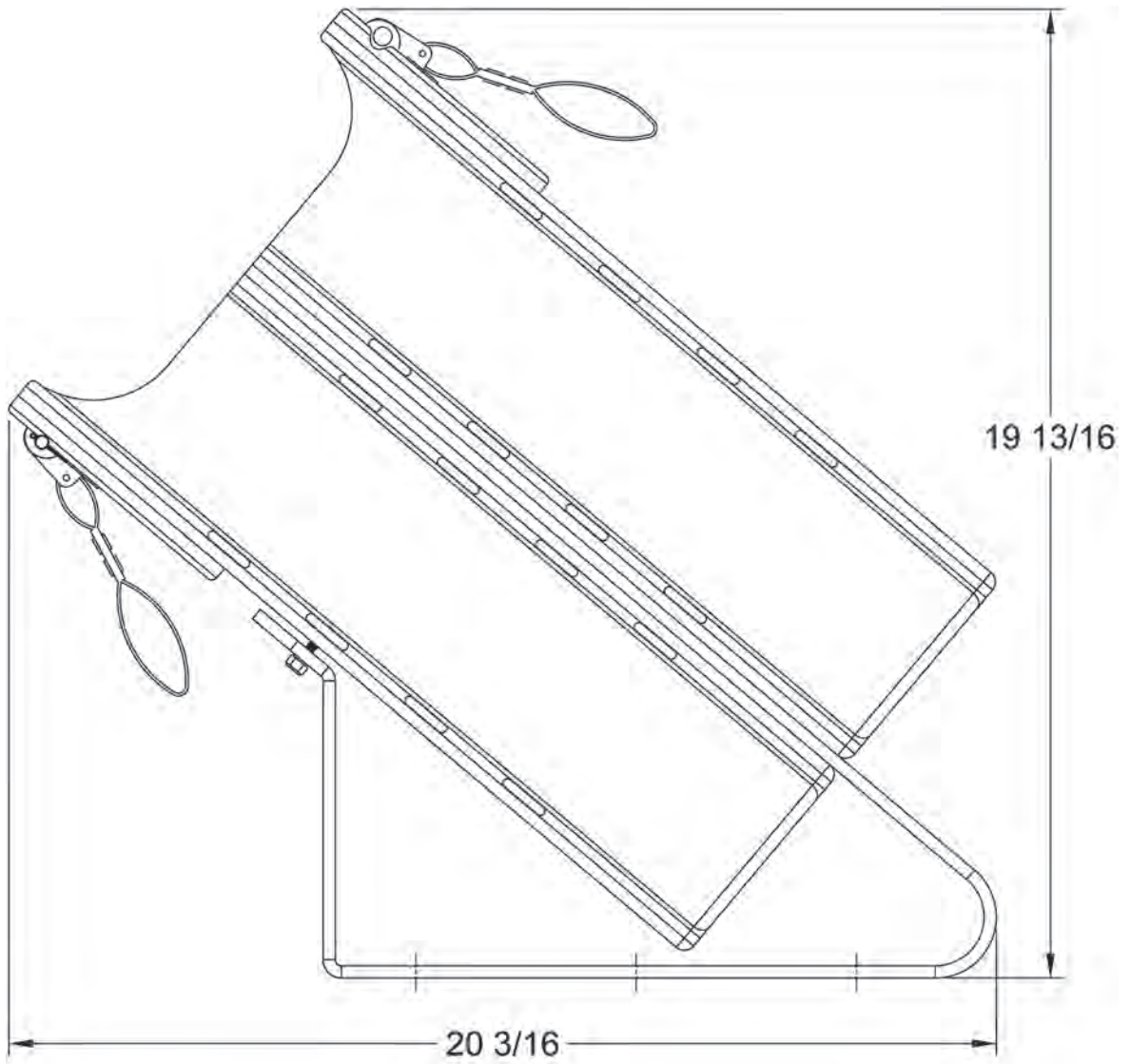
QUIC-RELEASE® SLIDE-OUT CYLINDER BRACKETS
MODEL QR-D-S/MODEL QR-TDS
PARTS AND INSTRUCTION MANUAL



| MODEL | DESCRIPTION | WT./@ IN LBS. |
|--------|----------------------------|------------------|
| QR-D-S | Slide-Out Cylinder Bracket | 1.7 |

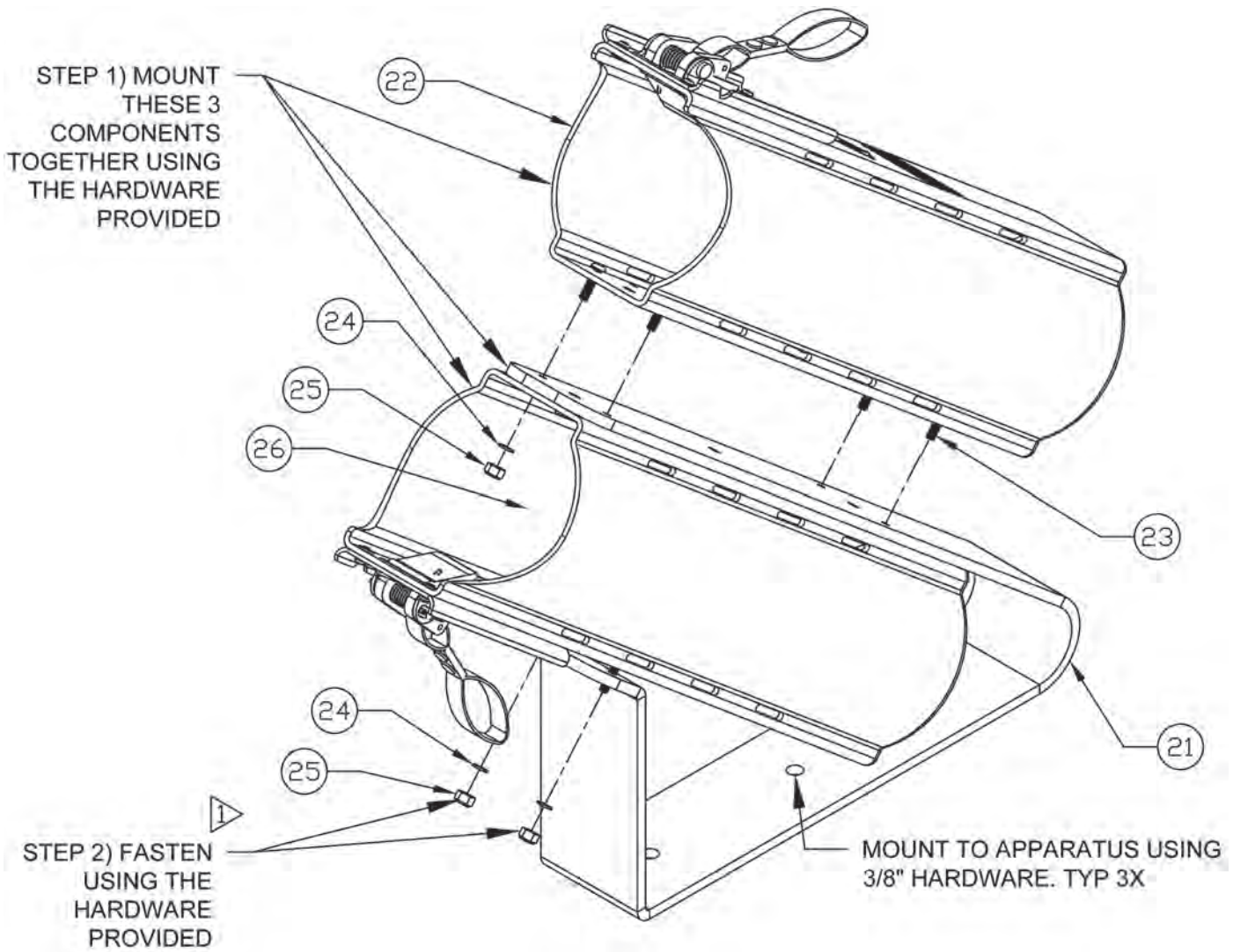
Parts Breakdown - Model QR-D-S

| ITEM NO. | PART NO. | DESCRIPTION | QTY. |
|-----------------|-----------------|---------------------------|-------------|
| 1 | 3030-102-101 | STOP BLOCK | 1 |
| 2 | 3030-102-103 | SPRING | 1 |
| 3 | 3030-102-105 | STOP PLATE | 1 |
| 4 | 3030-102-107 | HOLDER, D CYLINDER | 1 |
| 5 | 9180-002526 | CLEVIS PIN, 1/4" x 1-5/8" | 1 |
| 6 | 9140-111218 | SPRING PIN, 1/8" x 1-1/8" | 1 |
| 7 | 3030-102-901 | STRAP ASSEMBLY | 1 |
| 8 | 9260-001802 | RIVET, 3/16" x .188/.250 | 6 |
| 9 | 9114-101800 | WASHER, #10 | 6 |
| 10 | 9070-000612 | COTTER PIN, 1/16" x 3/4" | 1 |
| 11 | 9114-112500 | WASHER, 1/4" FLAT, SS | 2 |
| 12 | 3030-102-111 | LABEL, MODEL QR-D-S | 1 |
| 13 | 3030-112-117 | LABEL, OXYGEN | 1 |



| MODEL | DESCRIPTION | WT./@ IN LBS. |
|--------------|---|------------------|
| QR-TDS | Twin Slide-Out Cylinder Brackets w/Mounting Stand | 12.4 |
| 3030-103-105 | Stand Only | 4.0 |

Parts Breakdown - Model QR-TDS



| ITEM | PART NUMBER | DESCRIPTION | QTY. |
|------|--------------|---------------------------------------|------|
| 21 | 3030-103-105 | Compartment Bracket (Stand) | 1 |
| *22 | 3030-102-000 | D Cylinder, Slide Out Assy | 2 |
| 23 | 9110-352012 | Screw, #10-32 x 3/4 Button Socket Cap | 6 |
| 24 | 9114-112000 | Washer, #10 Regular, SS | 6 |
| 25 | 9113-192000 | Nut, #10-32 Locking, Lo Pro SS | 6 |

*For parts breakdown of this assembly, see QR-D-S on pages 1 & 2

Operating Instructions

To store standard and steel "D" cylinders:

1. Slide cylinder into bracket bottom-first until it clicks past the Stop Block (1).
2. Check that the cylinder is now secure against the Stop Block.

To remove cylinders:

1. Pull firmly on Strap Assembly (7) to release Stop Block (1).
2. With Stop Block in the released position pull cylinder free.

Mounting Instructions

To attach QR-D-S to cot using straps:

Important: There are slots in the Holder (4) so that the QR-D-S can be attached to the frame work of an ambulance cot by means of straps. Before permanently attaching the QR-D-S, make sure that it does not prevent the cot from properly collapsing during normal operation.

To attach QR-D-S to a flat surface using fasteners:

Select hardware that will not scratch the cylinder.

Mount using a minimum of either four #10 or three 1/4" hardware.

Use flat washers between the holder (4) and the fastener head.

To mount QR-TDS:

Note: If the QR-TDS is assembled, skip to step 3.

1. Position slide-out cylinder holders (22) on compartment bracket stand (21) as shown on Page 4.
2. Fasten holders to stand using the hardware provided (23-25).
3. Mount stand to apparatus using mounting hole locations (see Page 3) and 3/8" hardware.



Ziamatic Corp.

10 West College Avenue, P.O. Box 337, Yardley, PA 19067-0587 • (215) 493-3618 • FAX: (215) 493-1401

*ZICO is a registered trademark for fire, safety and marine products made by Ziamatic Corp.

www.ziamatic.com

TOLL FREE: 800-711-3473

Copyright Ziamatic Corp. 9-17