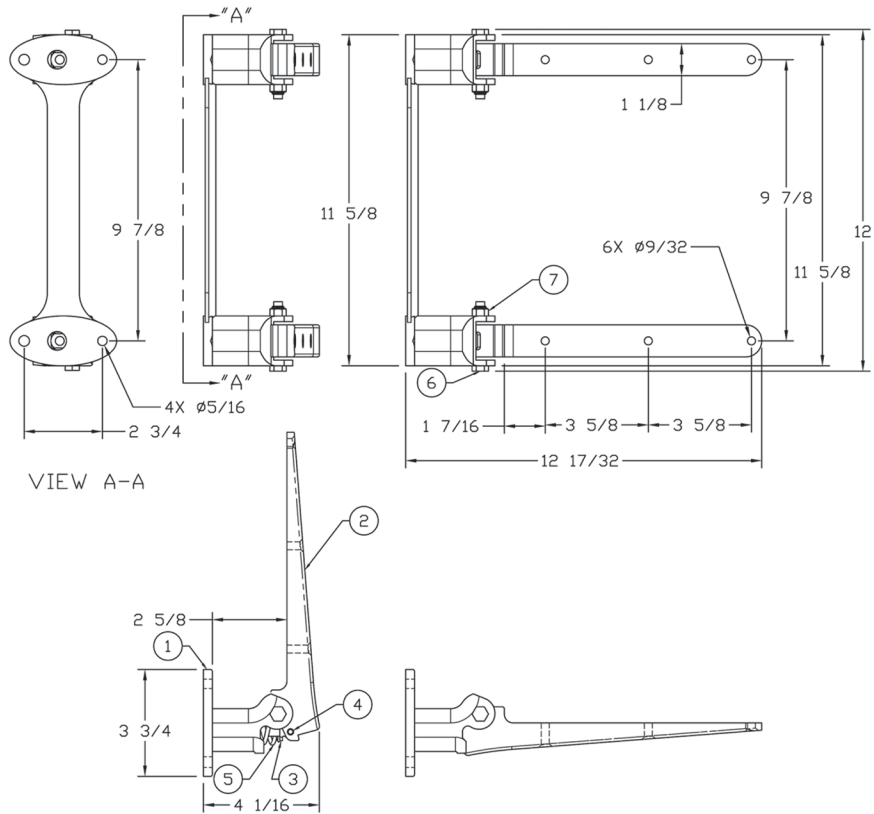


**QUIC-SEAT® DOUBLE FOLD-DOWN SEAT BRACKET**  
**MODEL SE-FD**  
**PARTS AND INFORMATION MANUAL**



MODEL	DESCRIPTION	WT./@ IN LBS.
SE-FD	Double Fold-Down Seat Bracket	7.4

ITEM	PART #	DESCRIPTION	QTY.
1	3020-000-105	Base Casting	1
2	3020-000-110	Pivot Arm	2
3	3020-000-115	Spring Guide	2
4	9140-101214	Spring Pin, $\phi$ 7/32 x 1", Steel	2
5	3020-000-120	Spring, Compression	2
6	9015-103136	Bolt, 5/16-18 x 2 1/4", Hex Hd, ZPS, GR5	2
7	9013-173100	Nut, 5/16-18, Locking, ZPS	2
8	3020-000-140	Label, Caution, Use Seat Belt	1



**Ziamatic Corp.**

10 West College Avenue, P.O. Box 337, Yardley, PA 19067-0587 • (215) 493-3618 • FAX: (215) 493-1401

[www.ziamatic.com](http://www.ziamatic.com)

TOLL FREE: 800-711-3473