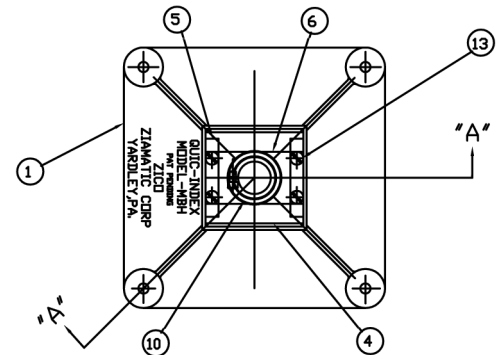


QUIC-INDEX® MULTIPLE BRACKET HOLDER
MODEL MBH
PARTS AND INSTRUCTION MANUAL



Shown with WALKAWAY brackets (sold separately)

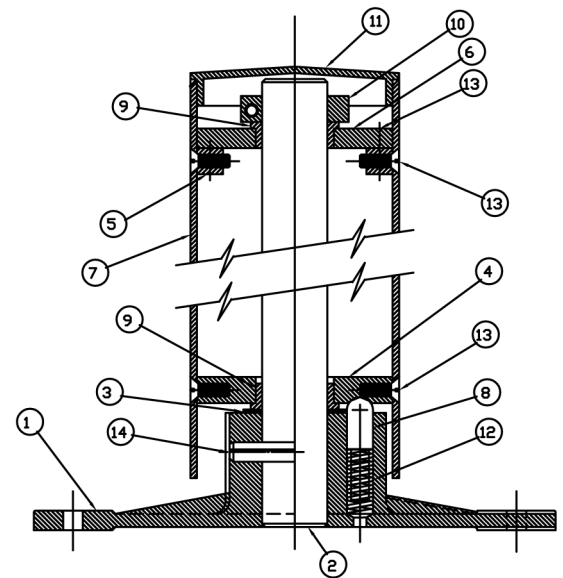
The QUIC-INDEX® multiple bracket holder holds up to four SCBA units or spare cylinders. As each SCBA or cylinder is removed from its bracket, the next is easily obtained by simply rotating the holder. The holder automatically stops and locks in the front position to present the next SCBA or cylinder for convenient removal.



OVERHEAD VIEW
 (Shown with Item 11 Removed)

MODEL	DESCRIPTION	WT./@ IN LBS.
MBH	Multiple Bracket Holder	19.9

ITEM NO.	PART NO.	DESCRIPTION	QTY.
1	1035-105-105	Base Casting, Aluminum	1
2	1035-105-110	Post, 1-1/4" Dia.	1
3	1035-105-115	Washer, Nylon	1
4	1035-105-120	Bottom Support, 3-1/2" x 1/2"	1
5	1035-105-125	Top Support Bar, 1/2" x 1/2"	2
6	1035-105-130	Top Support, 3/8" x 2"	1
7	1035-105-135	Column, Aluminum Tube 4"	1
8	1035-105-140	Plunger	4
9	1035-105-145	Bearing	2
10	1035-105-150	Collar	1
11	1035-105-155	Cap/Plug	1
12	1035-105-160	Spring, Compression	4
13	9110-162512	Screw, Fl. Hd., 1/4-20 x 3/4" Lg.	12
14	9040-103132	SPRING PIN, 5/16" x 2" LG.	1
15	9010-102516	Screw, 1/4-20 x 1" Hex. Hd. (Not Shown)	8
16	9012-272500	Threaded Insert, 1/4-20 (Inside #7)	8
17	9014-202500	Split Lockwasher, 1/4" I.D. (Not Shown)	8
18	9014-112500	Flat Washer, 1/4" I.D. (Not Shown)	8



SECTION "A" - "A"

Up to four standard ZICO® WALKAWAY brackets may be mounted on the Multiple Bracket Holder (sold separately).

To Install WALKAWAY Brackets onto Multiple Bracket Holder:

1. Two threaded holes are provided on each side of the column (Item 7). Bracket should be mounted so that the top of the bracket is flush with the top of the column. Use center hole locations 3 and 5 on the bracket for mounting with the two 1/4-20 x 1" hex head screws, flat washers, and split washers provided.

Determining Space Requirements:

The basic unit, less brackets, measures 10" W x 10" D x 25-1/2" H.

1. Insert desired cylinder or complete SCBA into WALKAWAY Bracket.
2. To calculate the width requirement, measure the depth of complete SCBA or cylinder to be mounted, double that measurement (one unit per side), and add 6".
3. To calculate height required, add 1-1/2" to length of air cylinder or complete SCBA.

To Mount Multiple Bracket Holder:

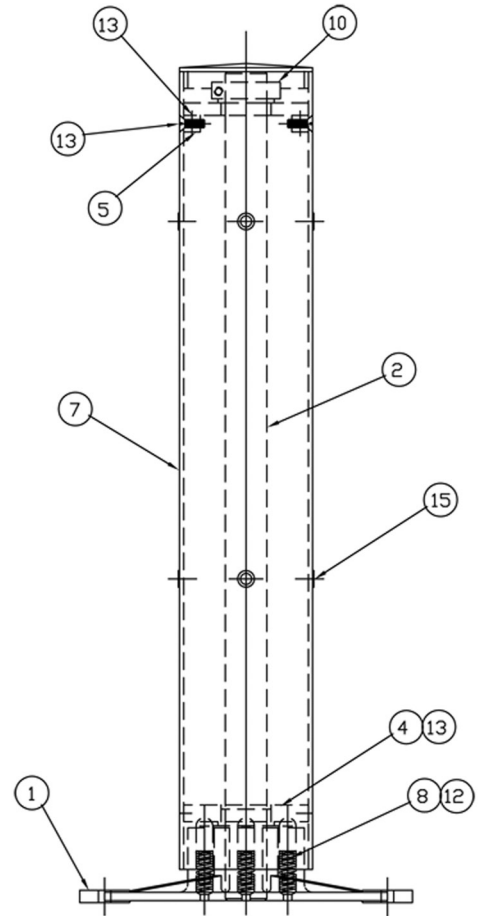
1. Set complete unit, with brackets attached and air cylinders in place, in the desired mounting location. Confirm that adequate clearance exists for indexing unit in this position. Carefully rotate unit, and adjust brackets and holder position accordingly.

NOTE: If air cylinders extend up above cap plug (Item 11), the bracket may be lowered on the column. Be sure that adequate clearance exists to pull air cylinder out of bracket without striking lip on compartment or other obstructions.

2. Mark four mounting holes using base casting (Item 1) as template.
3. Drill four 25/64" holes and mount unit with 3/8" bolts (not provided).

To Maintain Multiple Bracket Holder:

1. Lubricate V-Grooves in Bottom Support (Item 4) and Bearings (Item 9) annually with Lubriplate™ No. 630-2 multi-purpose grease.



Ziamatic Corp.

10 West College Avenue, P.O. Box 337, Yardley, PA 19067-0587 • (215) 493-3618 • FAX: (215) 493-1401

*ZICO is a registered trademark for fire, safety and marine products made by Ziamatic Corp.

www.ziamatic.com

TOLL FREE: 800-711-3473

Copyright Ziamatic Corp. 6-93