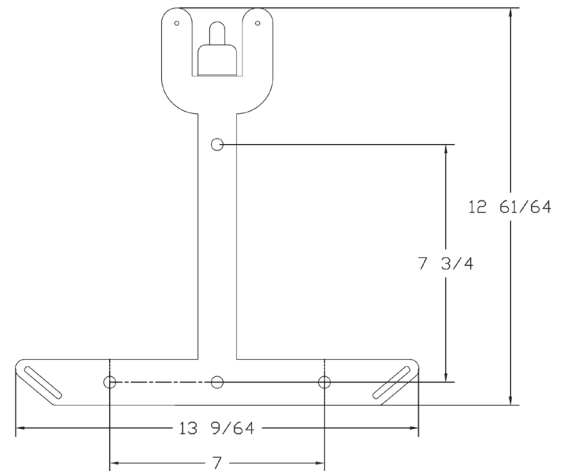
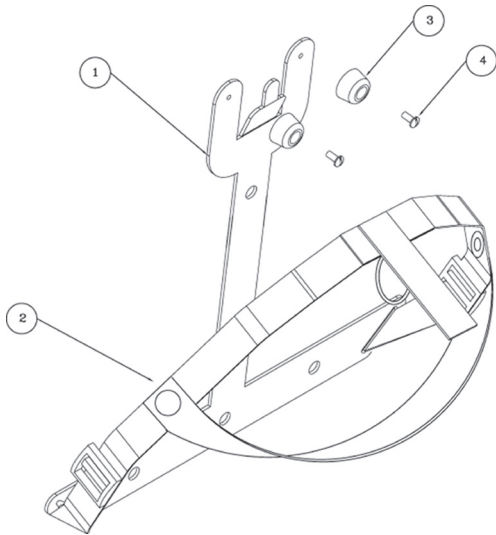


**HELMET HOLDER
PARTS AND INSTRUCTION MANUAL**

Model UHH-1 - Helmet Holder

Model UHH-1-C - Chrome Plated Helmet Holder



ITEM NO.	DESCRIPTION	PART NUMBER	QTY.
1	Helmet Holder Bracket	5005-300-101	1
2	Helmet Holder Strap Assembly	5005-300-103	1
3	Rubber Bumper	1090-000-150	2
4	#8-32 x 5/16" Rnd Hd Machine Screw	9010-241605	2

Mounting Instructions:

The UHH-1 may be mounted both vertically and horizontally. It must be mounted to a flat, securely sound surface, using a minimum of 1/4" steel hardware.

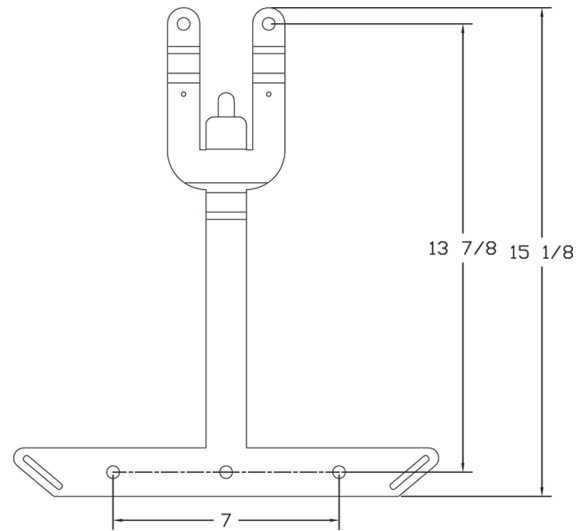
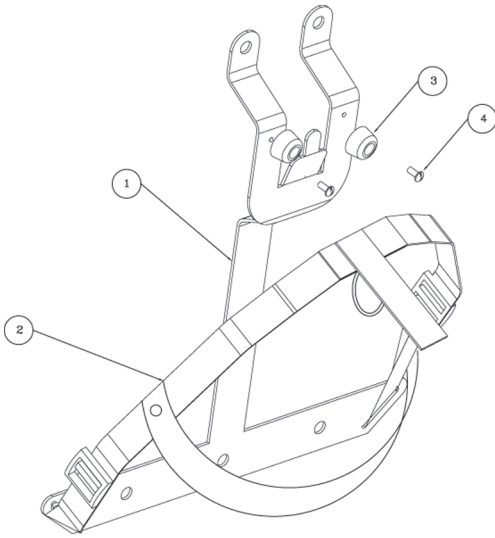
Instructions for Proper Use:

To secure a helmet with the UHH-1, place the helmet hook on the metal tab, pull the strap up and hook the D-ring to secure the helmet in place. Be sure to place the strap all the way over the crown of the helmet. Simply unhook the D-ring, pull the strap down, and remove the helmet from the metal tab when the helmet is needed.



Model UHH-2 - Helmet Holder

Model UHH-2-C - Chrome Plated Helmet Holder



ITEM NO.	DESCRIPTION	PART NUMBER	QTY.
1	Helmet Holder Bracket	5005-305-101	1
2	Helmet Holder Strap Assembly	5005-300-103	1
3	Rubber Bumper	1090-000-150	2
4	#8-32 x 5/16" Rnd Hd Machine Screw	9010-241605	2

Mounting Instructions:

The UHH-2 may be mounted both vertically and horizontally. It must be mounted to a flat, securely sound surface, using a minimum of 1/4" steel hardware.

Instructions for Proper Use:

To secure a helmet with the UHH-2, place the helmet hook on the metal tab, pull the strap up and hook the D-ring to secure the helmet in place. Be sure to place the strap all the way over the crown of the helmet. Simply unhook the D-ring, pull the strap down, and remove the helmet from the metal tab when the helmet is needed.



Ziamatic Corp.

10 West College Avenue, P.O. Box 337, Yardley, PA 19067-0587 • (215) 493-3618 • FAX: (215) 493-1401

*ZICO is a registered trademark for fire, safety and marine products made by Ziamatic Corp.

www.ziamatic.com

TOLL FREE: 800-711-3473

Copyright Ziamatic Corp. 4-11