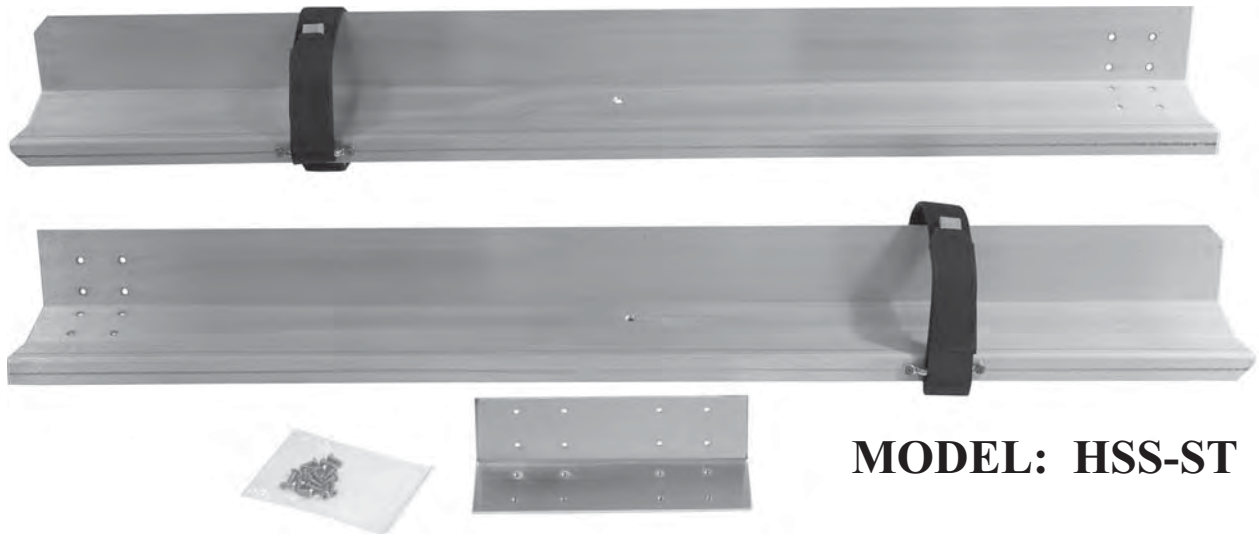


**QUIC-STORAGE® TWO PIECE HOSE TRAY
PARTS AND ASSEMBLY INSTRUCTIONS**



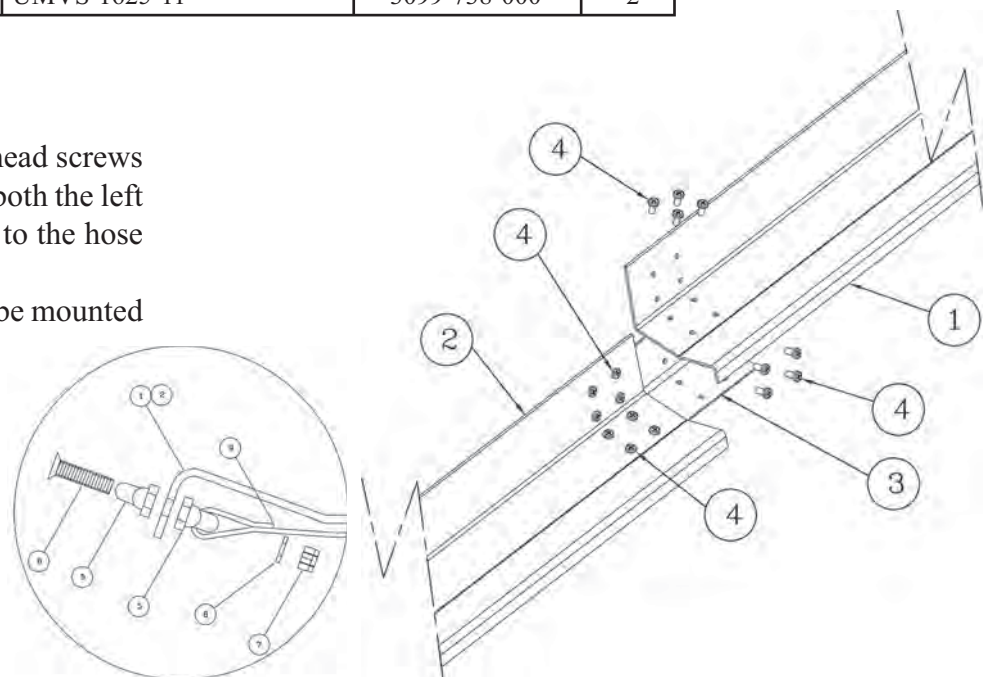
MODEL: HSS-ST

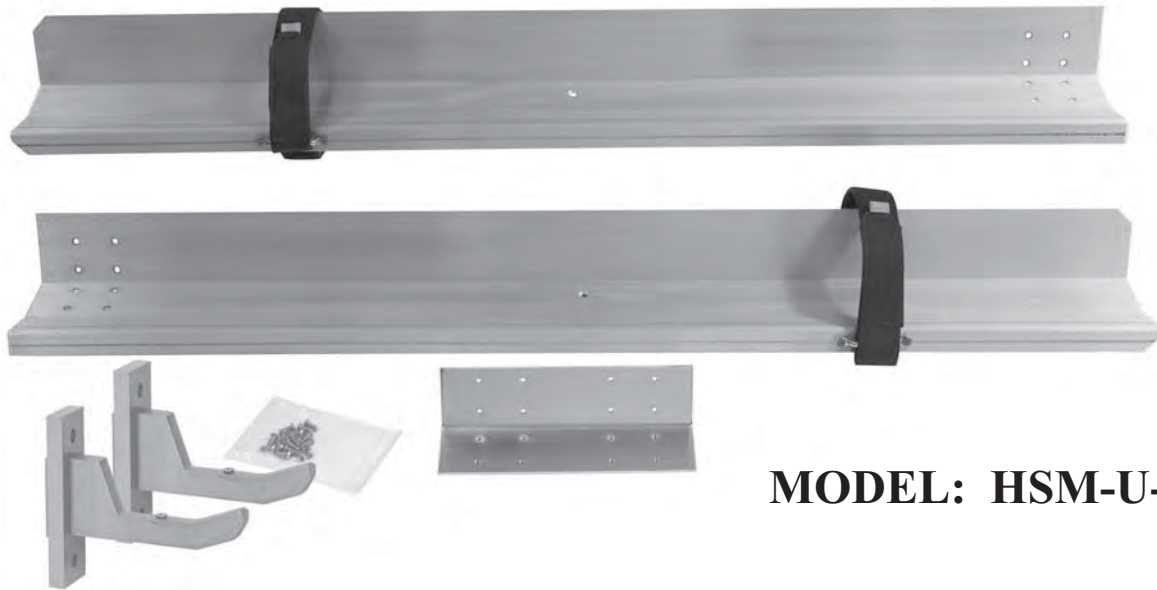
ITEM NO.	DESCRIPTION	PART NUMBER	QTY.
1	Tray, Hard Suction Right	3097-303-101	1
2	Tray, Hard Suction Left	3097-303-103	1
3	Tray Splice	3097-303-105	1
4	1/4"-20 x 3/8" Button Head	9110-502506	16
5	2" Footman Loop	3099-000-013	4
6	10-32 x 1" Phil Flat Hd Screw	9110-162016	4
7	10-32 Hex Nut, Nylock	9113-172000	4
8	#10 Flat Washer	9114-111900	4
9	UMVS-1625-11	3099-738-000	2

Assembly Instructions:

Use the (16) 1/4"-20 x 3/8" button head screws and a medium thread lock to attach both the left and right hard suction tray sections to the hose tray splice.

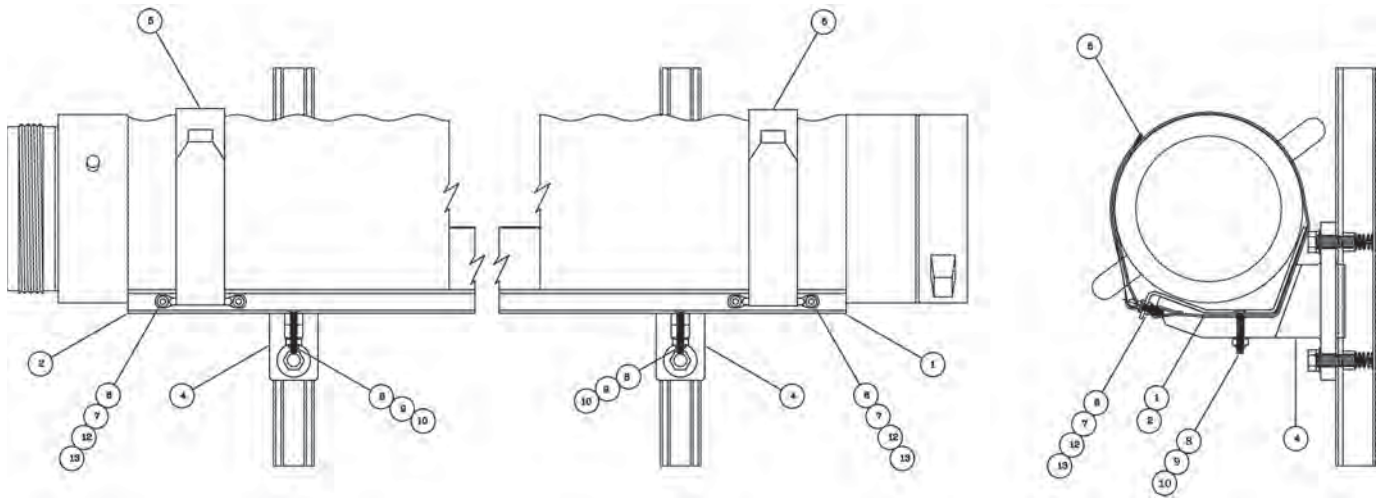
Note The hose tray splice should be mounted to the bottom of the tray sections.





MODEL: HSM-U-ST

ITEM NO.	DESCRIPTION	PART NUMBER	QTY.
1	Tray, Hard Suction Right	3097-303-101	1
2	Tray, Hard Suction Left	3097-303-103	1
3	Tray Splice	3097-303-105	1
4	HSS Tray Mount Bracket	3090-165-101	2
5	UMVS-1625-11	3099-738-000	2
6	2" Footman Loop	3099-000-013	4
7	10-32 x 1" Flat Hd Phil Screw	9110-162016	4
8	1/4-20 x 1-3/4" Flat Hd Phil Screw	9110-162528	2
9	1/4-20 Hex Nut, Nylock	9113-172500	2
10	1/4" ID Flat Washer	9114-112500	2
11	1/4-20 x 3/8" Button Head	9110-502506	16
12	#10 Flatwasher	9114-111900	4
13	10-32 Self-Locking Nut	9113-172000	4



Ziamatic Corp.

10 West College Avenue, P.O. Box 337, Yardley, PA 19067-0587 • (215) 493-3618 • FAX: (215) 493-1401

www.ziamatic.com

TOLL FREE: 800-711-3473

*ZICO is a registered trademark for fire, safety and marine products made by Ziamatic Corp.

Copyright Ziamatic Corp. 5-12-10