

**QUIC-MOUNT® BOLT CUTTER BRACKETS**  
**MODELS BCB & BCB-L**  
**PARTS MANUAL**

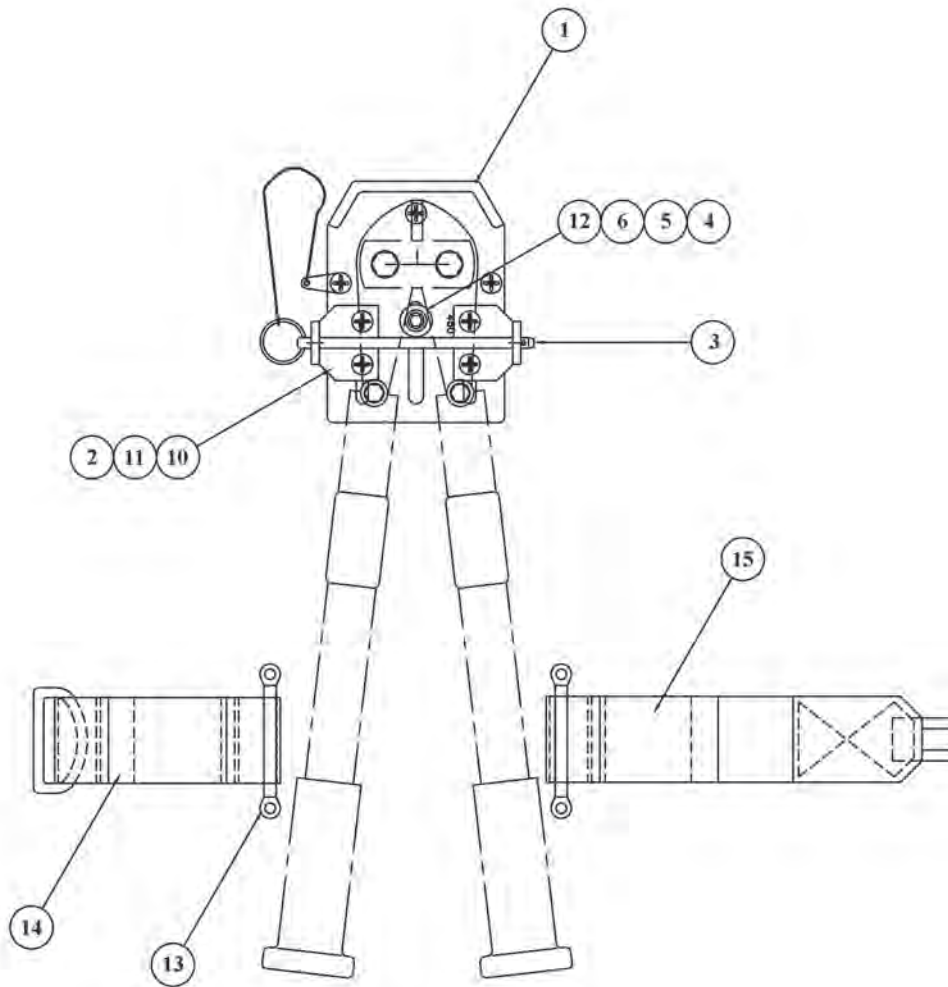
Model BCB designed for use with 18" to 36" bolt cutters, with adjustable stop and pin.

Model BCB-L is ideal for bolt cutters larger than 36".

Utility straps hold the bolt cutter handles firmly in place. One each 3099-630-105 fixed strap and one each 3099-735-105 variable strap are provided with each bracket.

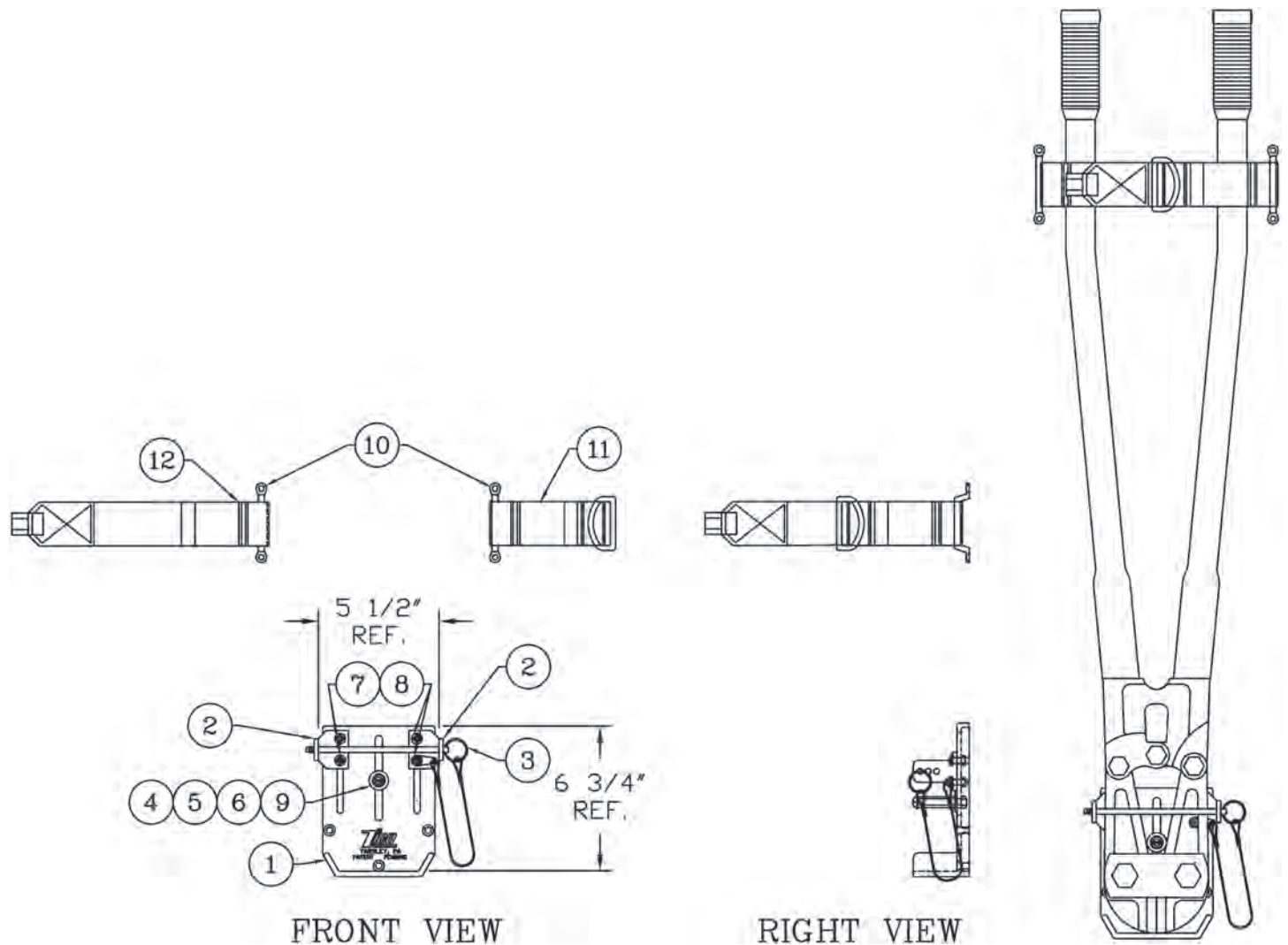
<b>MODEL NO.</b>	<b>PART NO.</b>	<b>DESCRIPTION</b>	<b>WT./@ IN LBS.</b>
BCB	3095-155-000	Bolt Cutter Bracket	1.8
BCB-L	3095-157-000	Bolt Cutter Bracket - Large	2.0

## Parts Diagram/Breakdown - Model BCB



ITEM NO.	PART NO.	DESCRIPTION	QTY.
1	3095-155-101	MOUNTING BRACKET	1
2	3095-155-103	PIN BRACKET	2
3	3085-260-105	CABLE/PIN ASSY, 1/4øx5 1/4PIN W/10" CABLE	1
4	3095-155-105	SLEEVE, 1/2ø OD x 16 GA.x1 11/16 LG. SS TBG.	1
5	9010-233136	ROUND HD SLOTTED SCREW, 5/16-18x2 1/4 LG.	1
6	9014-103100	FLATWASHER, 5/16ø NOM.	1
10	9010-222512	SCREW, 1/4-20x3/4, PAN HEAD PHILLIPS	4
11	9012-242500	1/4-20 SQUARE NUT, SZP	4
12	9012-243100	5/16-18 SQUARE NUT, SZP	1
13	3099-000-013	2" FOOTMAN'S LOOP	2
14	3099-633-105	UTILITY MTG. STRAP, FIXED (5")	1
15	3099-735-105	UTILITY MTG. STRAP, VARIABLE (7-1/2")	1

# Parts Diagram/Breakdown - Model BCB-L



ITEM NO.	PART NO.	DESCRIPTION	QTY.
1	3095-157-101	MOUNTING BRACKET, BASE	1
2	3095-155-103	PIN BRACKET	2
3	3085-262-105	CABLE/PIN ASSY.	1
4	3095-155-105	SLEEVE, 1/2ø OD x 16 GA.x1 11/16 LG. SS TBG.	1
5	9010-233136	BUTTON HD SLOTTED SCREW, 5/16-18x2 1/4 LG.	1
6	9014-103100	FLATWASHER, 5/16ø NOM.	1
7	9010-222512	SCREW, 1/4-20x3/4, PAN HEAD PHILLIPS	4
8	9012-242500	1/4-20 SQUARE NUT, ZPS	4
9	9012-243100	5/16-18 SQUARE NUT, ZPS	1
10	3099-000-013	2" FOOTMAN'S LOOP	2
11	3099-632-105	UTILITY MTG. STRAP, FIXED (5"), BCB-FS-0511	1
12	3099-734-105	UTILITY MTG. STRAP, VARIABLE (11") UMVS-0811-11	1



*Ziamatic Corp.*

10 West College Avenue, P.O. Box 337, Yardley, PA 19067-0587 • (215) 493-3618 • FAX: (215) 493-1401

[www.ziamatic.com](http://www.ziamatic.com)

TOLL FREE: 800-711-3473

\*ZICO is a registered trademark for fire, safety and marine products made by Ziamatic Corp.

Copyright Ziamatic Corp. 12-15