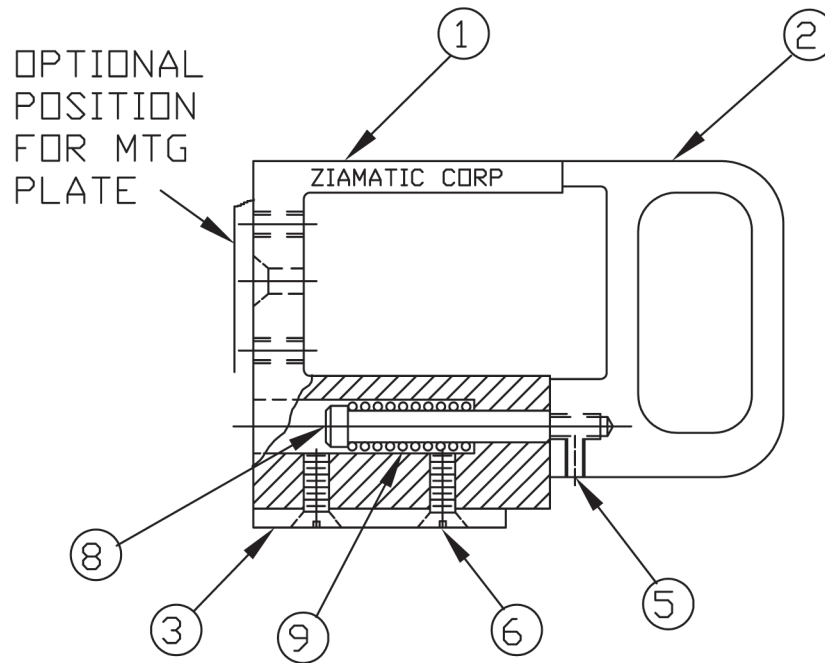


QUIC-MOUNT® FOLDING LADDER BRACKET SET
MODELS FLB- & FLBA-
PARTS MANUAL

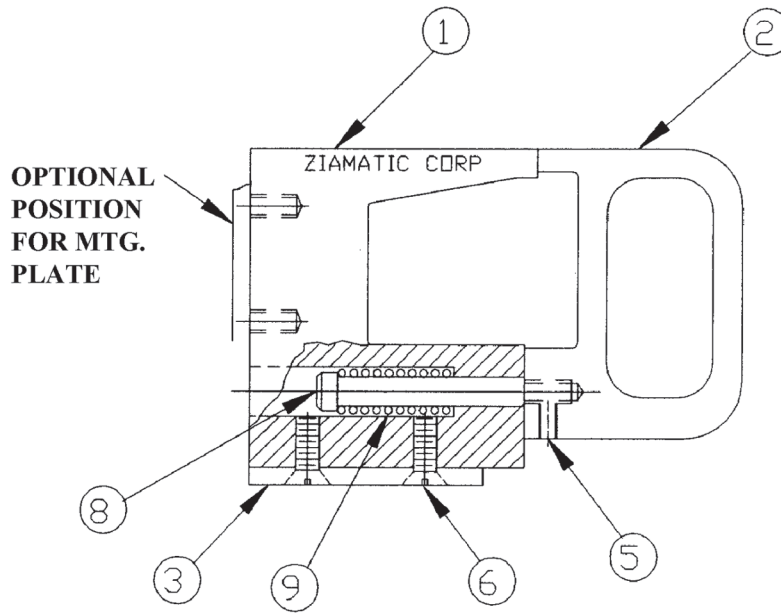
Model FLB - For Use with Duo-Safety Series 585-A:



MODEL	DESCRIPTION	WT./SET IN LBS.
FLB	Bracket - 3" D x 1-15/16"	2.0

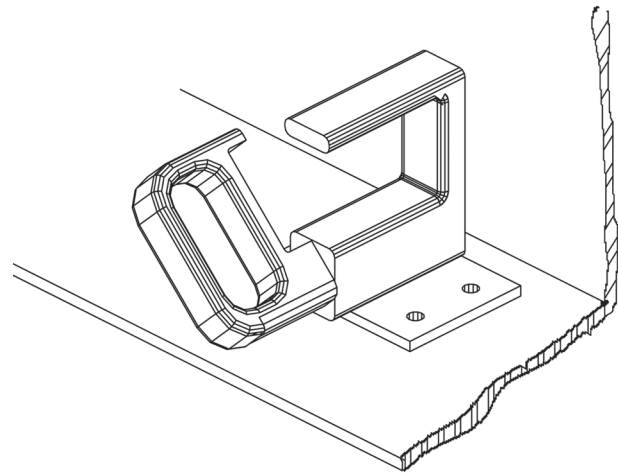
ITEM NO.	PART NO.	DESCRIPTION	PCS. REQ.
1	3090-000-105	Body Casting - Painted	2
2	3090-000-110	Handle Casting - Painted	2
3	3090-000-115	Mounting Plate - Painted	2
5	9110-381606	8-32 x 3/8 Set Screw	2
6	9010-152510	1/4-20 x 5/8 Flat Head Screw	4
8	9010-313139	5/16-18 Socket Head Bolt	2
9	3090-000-120	Compression Spring	2

Model FLBA - For Use with Alco-Lite Model ALP-080:



MODEL	DESCRIPTION	WT./SET IN LBS.
FLBA	Bracket - 2-3/16" D x 1-1/2"	2.3

ITEM NO.	PART NO.	DESCRIPTION	PCS REQ.
1	3090-155-105	Body Casting - Painted	2
2	3090-000-110	Handle Casting - Painted	2
3	3090-000-115	Mounting Plate - Painted	2
5	9110-381606	8-32 x 3/8 Set Screw	2
6	9010-152510	1/4-20 x 5/8 Flat Head Screw	4
8	9010-313139	5/16-18 Socket Head Bolt	2
9	3090-000-120	Compression Spring	2



Mounting:

Ladder brackets may be mounted vertically or horizontally to suit your requirements. The mounting plate may be placed underside (as shown) or at end.



Ziamatic Corp.

10 West College Avenue, P.O. Box 337, Yardley, PA 19067-0587 • (215) 493-3618 • FAX: (215) 493-1401

*ZICO is a registered trademark for fire, safety and marine products made by Ziamatic Corp.

www.ziamatic.com

TOLL FREE: 800-711-3473

Copyright Ziamatic Corp. 12-12