

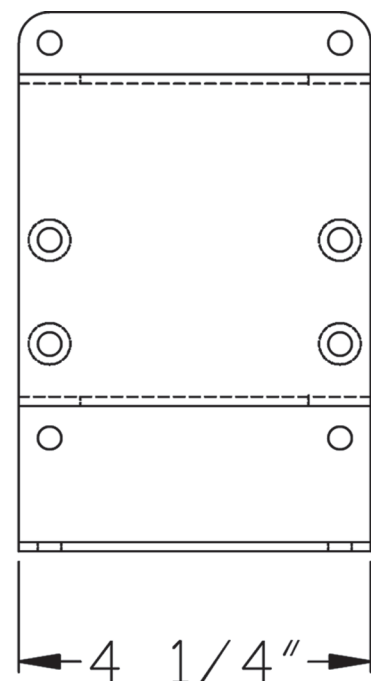
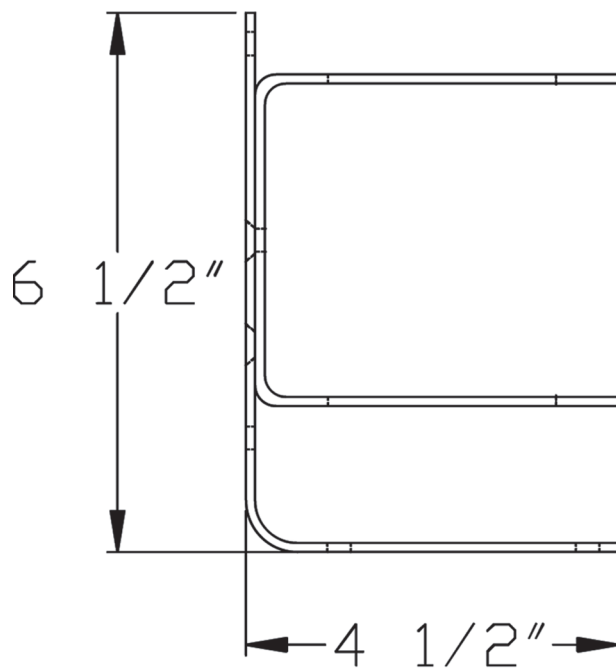
QUIC-MOUNT® SPRAY CAN HOLDER

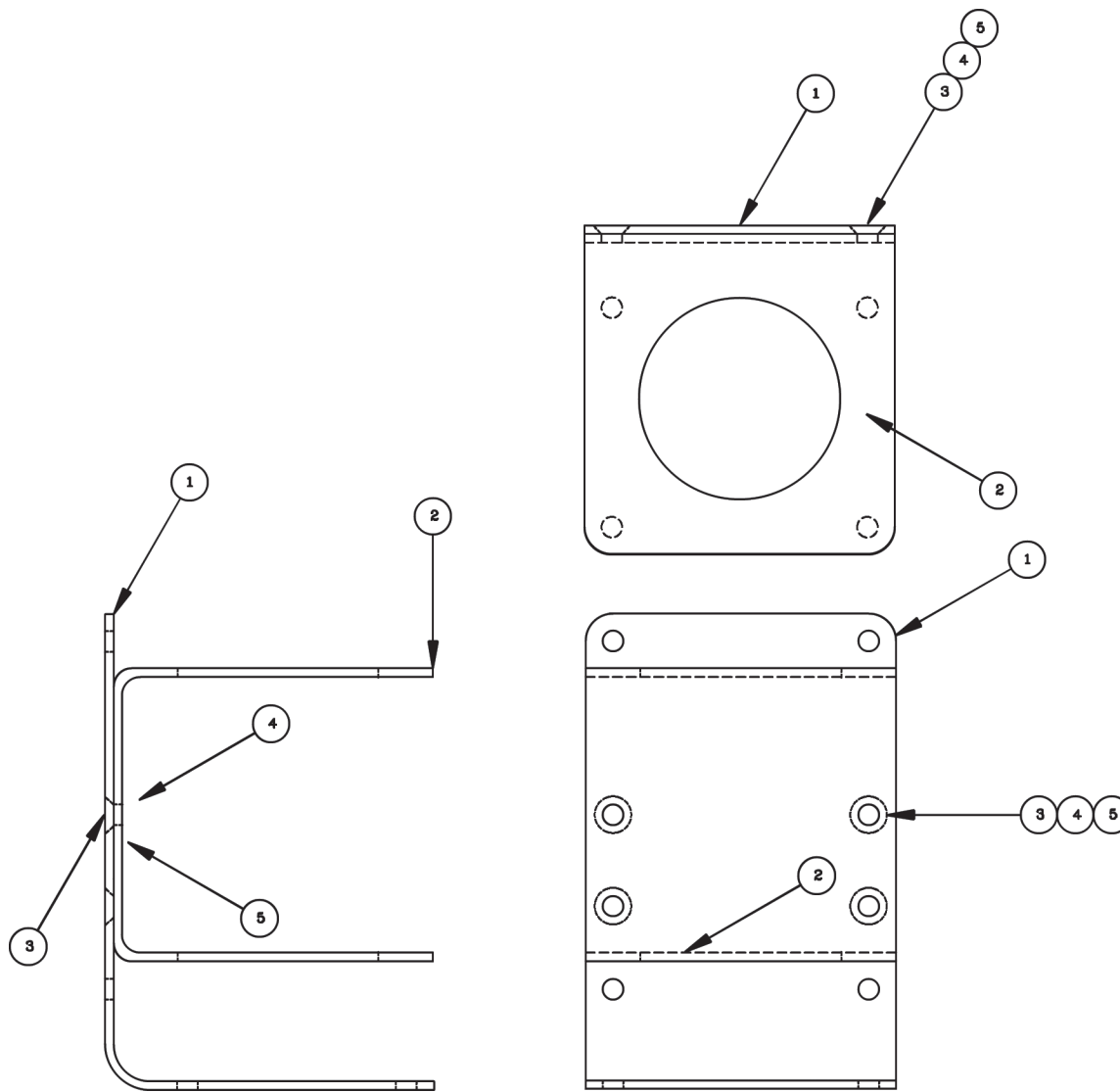
MODEL QM-PMH-2

PARTS AND INFORMATION MANUAL



- Heavy-duty, powder-coated steel & aluminum
- Fits cylindrical cans up to 12 oz. (2-3/4" dia.)
- Works great with spray/marketing paint, Tool Guard, Goof Off, bug spray, WD-40, and more!
- Keep cans organized and easy to locate
- Mount to a flat surface using 1/4" hardware (not included)





ITEM NO.	PART NO.	DESCRIPTION	QTY.
1	3087-227-101	Base	1
2	3087-229-103	Support	1
3	9010-462510	1/4-20 x 5/8"L FH Torx Screw Zinc Plt	2
4	9013-172501	1/4-20 Hex Nylon Inset Lock Nut Narrow Zinc Plt	2
5	9014-112500	1/4" Flatwasher Type B Plain Regular Zinc Plt	2



Ziamatic Corp.

10 West College Avenue, P.O. Box 337, Yardley, PA 19067-0587 • (215) 493-3618 • FAX: (215) 493-1401

www.ziamatic.com

TOLL FREE: 800-711-3473

*ZICO is a registered trademark for fire, safety and marine products made by Ziamatic Corp.

Copyright Ziamatic Corp. 6-14