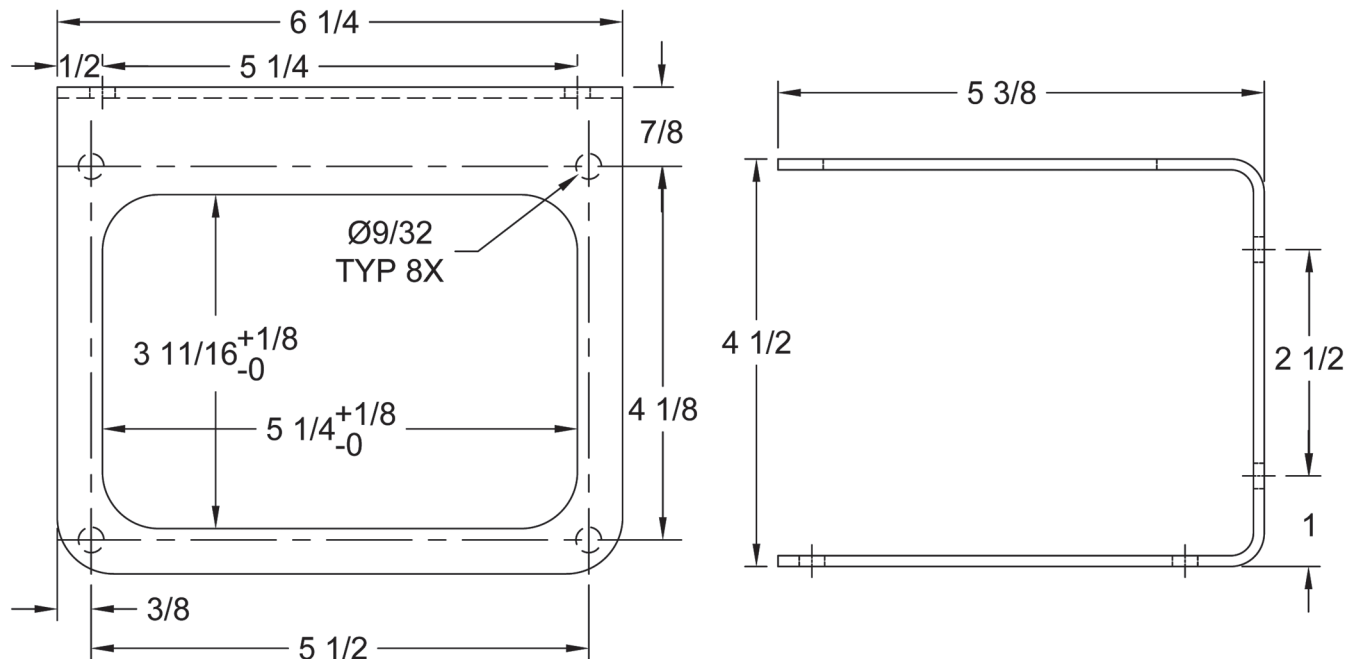


QUIC-MOUNT® PREMIXED RECTANGULAR QUART & HALF GALLON HOLDER
MODEL QM-PMH-RQHG
PARTS AND INFORMATION MANUAL



- Heavy-duty, powder-coated steel
- Fits rectangular cans up to 1 gal. (3-11/16" x 5-1/4")
- Lower risk of falling, leaking, denting, and puncturing during transport
- Keep cans organized and easy to locate
- Mount to a flat surface using 1/4" hardware (not included)



Ziamatic Corp.

10 West College Avenue, P.O. Box 337, Yardley, PA 19067-0587 • (215) 493-3618 • FAX: (215) 493-1401

*ZICO is a registered trademark for fire, safety and marine products made by Ziamatic Corp.

www.ziamatic.com
 TOLL FREE: 800-711-3473

Copyright Ziamatic Corp. 2-18