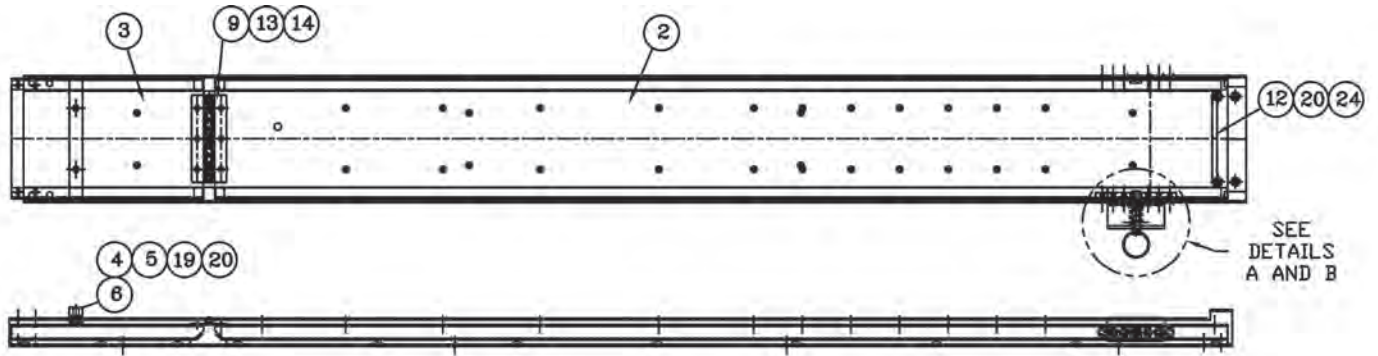
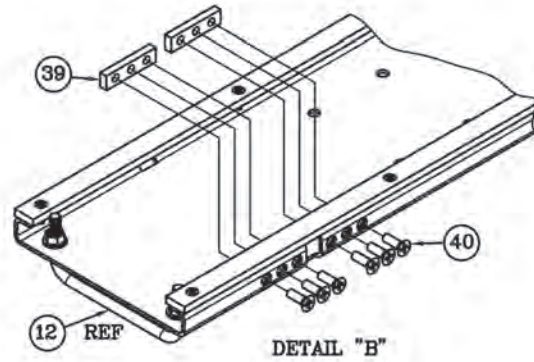
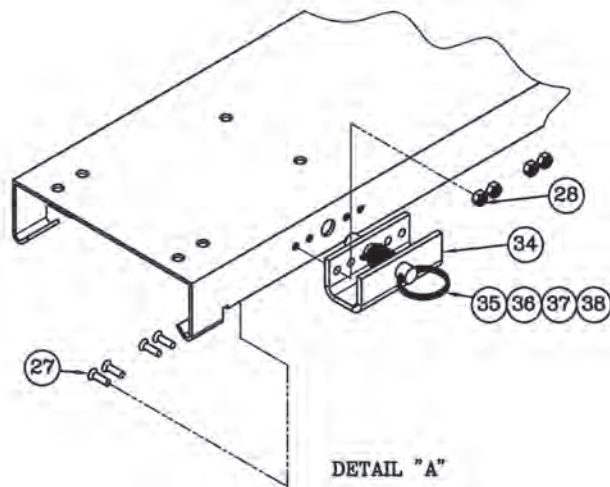


QUIC-RELEASE® SLIDE-OUT & FLIP-DOWN MOUNT
MODEL QR-SOFD
PARTS AND DIMENSIONS

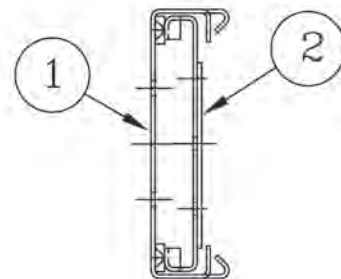
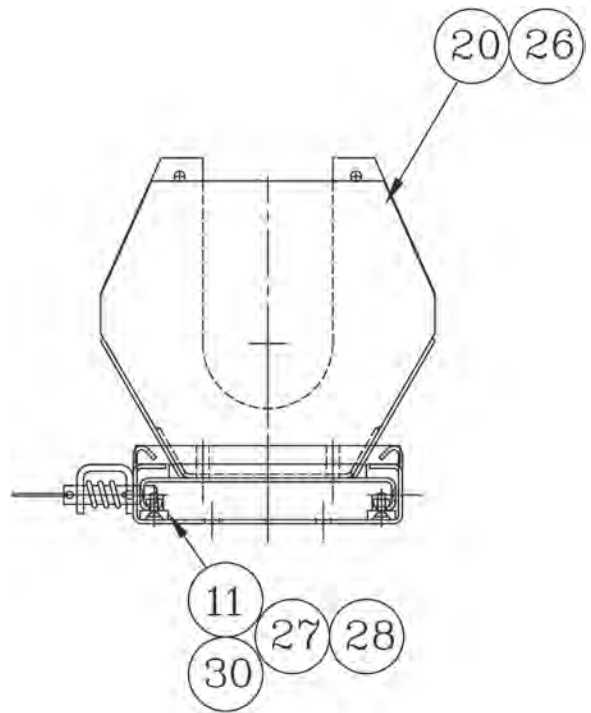


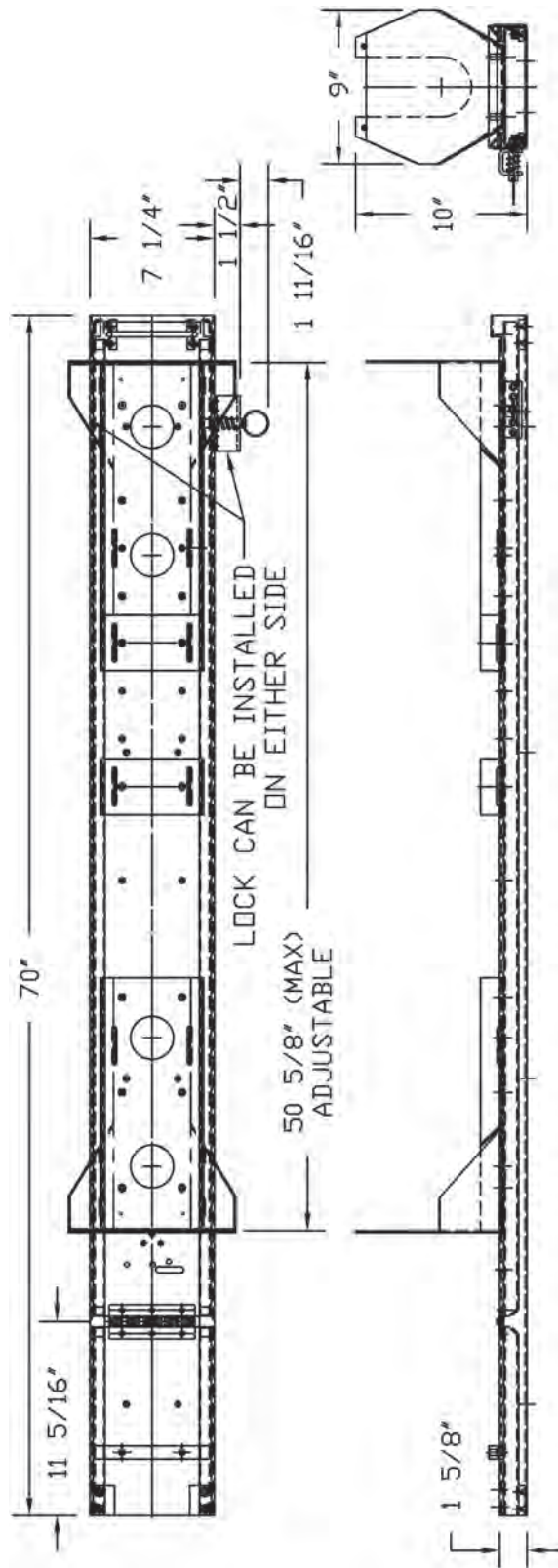
SEE
DETAILS
A AND B



NOTE: This mounting device has been designed for use with the Model QR-MV Multiversal Bracket which must be ordered separately. See dimensions on page 3.

ITEM NO.	PART NO.	DESCRIPTION	QTY.
1	3030-160-101	Stationary Housing	1
2	3030-160-103	Slider, Main	1
3	3030-160-105	Slider, Extension	1
4	3030-160-107	Stop Bar	1
5	3030-160-109	Spacer Block	1
6	9014-113100	5/16 Flatwasher	2
9	3030-160-117	Hinge, Ref: MMC 15665A336	1
11	3030-160-125	Wear Strip, Main	2
12	3030-160-123	Handle, SS (MMC 11665A31)	1
13	9010-102540	Screw, 1/4-20 x 1/2, Hex Hd.	6
14	9013-172500	Hex Nut, 1/4-20 Self Lock	6
19	9010-103124	Screw, 5/16-18 x 1-1/2 Hex Hd.	2
20	9013-133100	Hex Nut, 5/16-18 Self Lock	18
24	9012-183100	Hex Nut, 5/16-18	2
26	9010-103108	Screw, 5/16-18 x 1/2 Hex Hd.	14
27	9010-162010	Screw, 10-32 x 5/8 100° FH	26
28	9013-102000	Nut, 10-32 Hex, Nylon Loc	26
30	3030-160-127	Wear Strip, Short	2
34	3030-160-131	Pin Bracket	1
35	3030-160-133	Pin, Lock	1
36	3030-160-135	Spring, Pin, Lock	1
37	9040-111212	Roll Pin, ϕ 1/8 x 3/4, SS	1
38	0000-000-123	Key Ring, .142 Thk x 1.48 OD ZP	1
39	3030-160-139	Bearing Block	2
40	9010-462510	Screw, Torx, 1/4-20 x 5/8 100° FH	6





Ziamatic Corp.

10 West College Avenue, P.O. Box 337, Yardley, PA 19067-0587 • (215) 493-3618 • FAX: (215) 493-1401

*ZICO is a registered trademark for fire, safety and marine products made by Ziamatic Corp.

www.ziamatic.com

TOLL FREE: 800-711-3473

Copyright Ziamatic Corp. 9-17