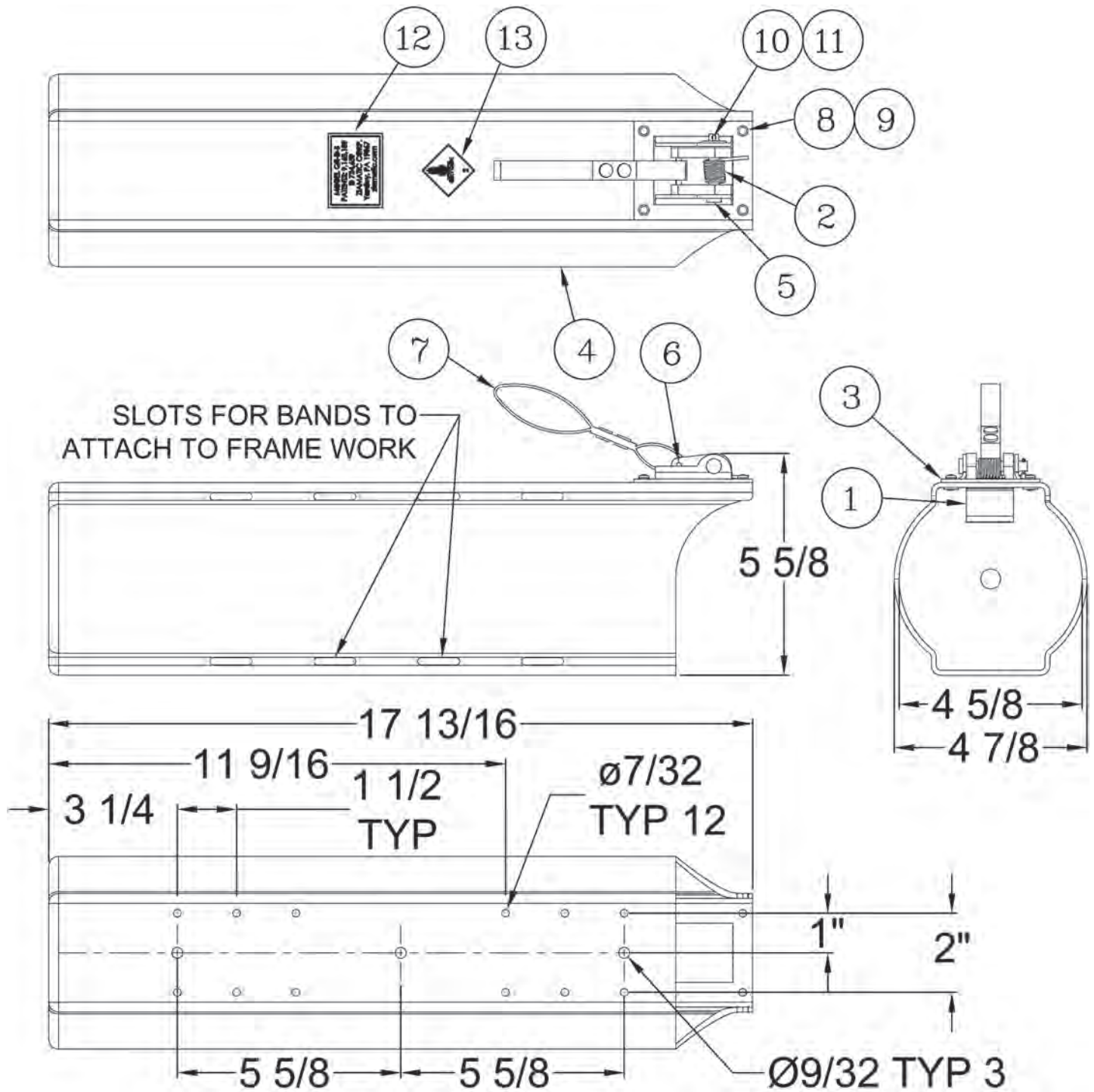


QUIC-RELEASE® SLIDE-OUT CYLINDER BRACKET
MODEL QR-D-S
PARTS AND INSTRUCTION MANUAL

3030PM24



MODEL	DESCRIPTION	WT./@ IN LBS.
QR-D-S	Slide-Out Cylinder Bracket	1.7

Parts Breakdown

ITEM NO.	PART NO.	DESCRIPTION	QTY.
1	3030-102-101	STOP BLOCK	1
2	3030-102-103	SPRING	1
3	3030-102-105	STOP PLATE	1
4	3030-102-107	HOLDER, D CYLINDER	1
5	9180-002526	CLEVIS PIN, 1/4" x 1-5/8"	1
6	9140-111218	SPRING PIN, 1/8" x 1-1/8"	1
7	3030-102-901	STRAP ASSEMBLY	1
8	9260-001802	RIVET, 3/16" x .188/.250	4
9	9114-101800	WASHER, #10	4
10	9070-000612	COTTER PIN, 1/16" x 3/4"	1
11	9114-112500	WASHER, 1/4" FLAT, SS	1
12	3030-102-111	LABEL, MODEL QR-D-S	1
13	3030-112-117	LABEL, OXYGEN	1

Operating Instructions

To store standard and steel "D" cylinders:

1. Slide cylinder into bracket bottom-first until it clicks past the Stop Block (1).
2. Check that the cylinder is now secure against the Stop Block.

To remove cylinders:

1. Pull firmly on Strap Assembly (7) to release Stop Block (1).
2. With Stop Block in the released position pull cylinder free.

Mounting Instructions

To attach QR-D-S to cot using straps:

Important: There are slots in the Holder (4) so that the QR-D-S can be attached to the frame work of an ambulance cot by means of straps. Before permanently attaching the QR-D-S, make sure that it does not prevent the cot from properly collapsing during normal operation.

To attach QR-D-S to a flat surface using fasteners:

Select hardware that will not scratch the cylinder.

Mount using a minimum of either four #10 or three 1/4" hardware.

Use flat washers between the holder (4) and the fastener head.



Ziamatic Corp.

10 West College Avenue, P.O. Box 337, Yardley, PA 19067-0587 • (215) 493-3618 • FAX: (215) 493-1401

*ZICO is a registered trademark for fire, safety and marine products made by Ziamatic Corp.

www.ziamatic.com

TOLL FREE: 800-711-3473

Copyright Ziamatic Corp. 2-17