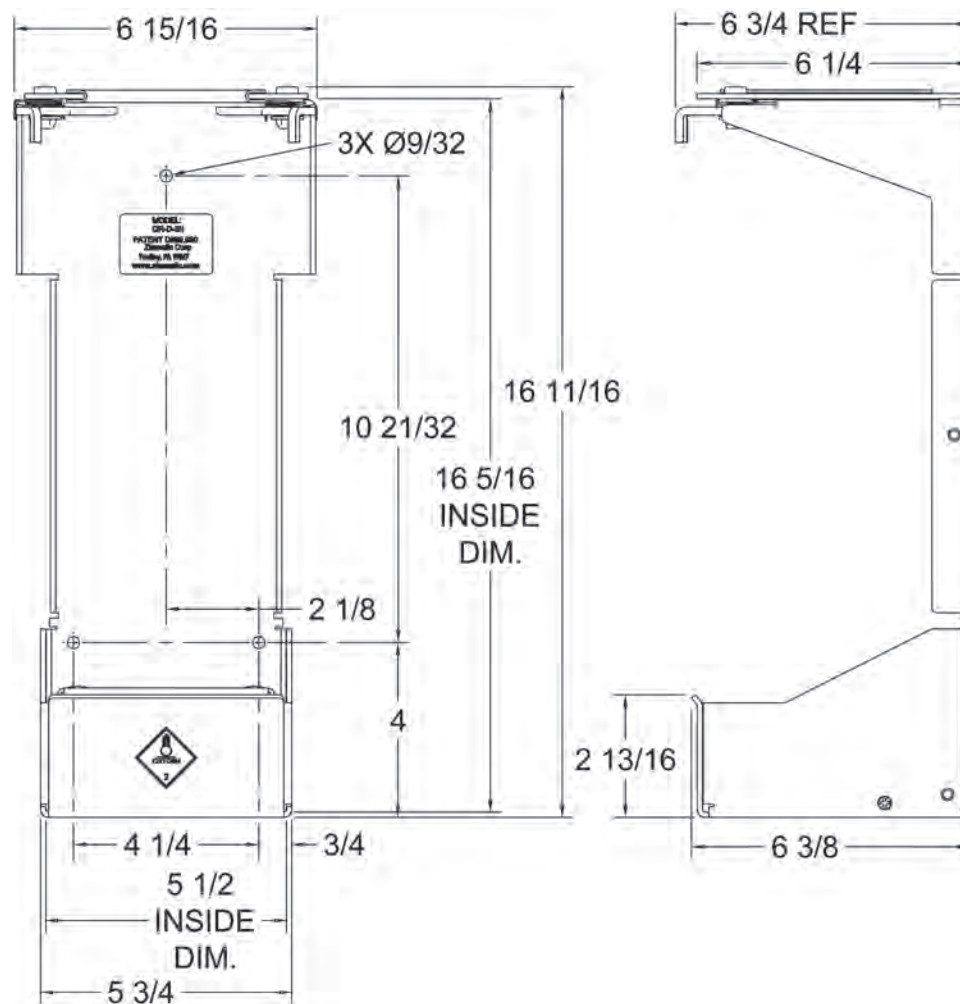


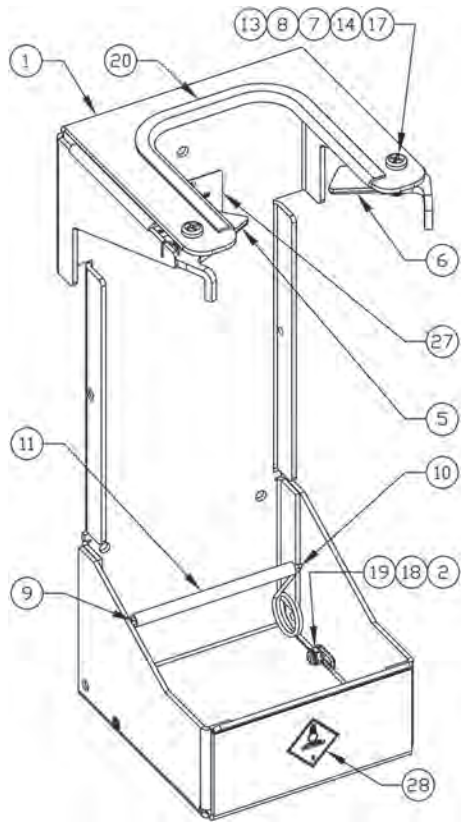
**QUIC-RELEASE® HORIZONTAL STRAPLESS CYLINDER BRACKET
FOR ALL-IN-ONE REGULATORS
MODEL QR-D-3/H
PARTS AND INSTRUCTION MANUAL**

3030PM21

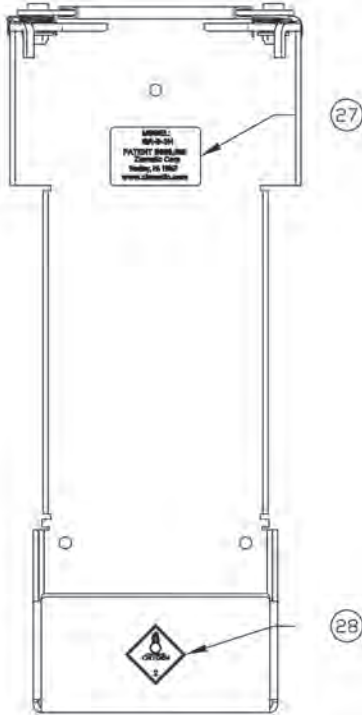


MODEL	DESCRIPTION	WT./@ IN LBS.
QR-D-3/H	Horizontal Strapless Cylinder Bracket for All-In-One Regulators	5.3

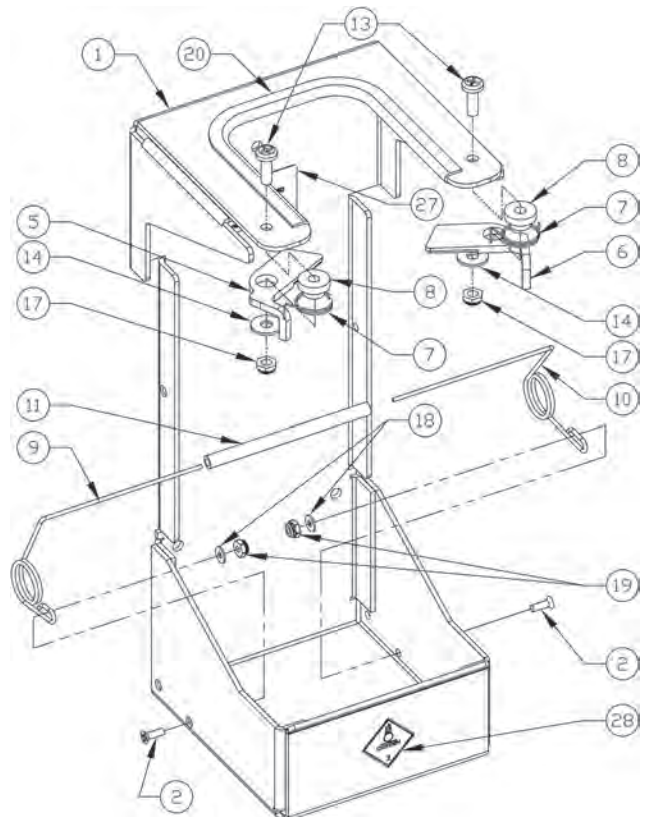
Parts Diagram



EXPLODED VIEW



ISOMETRIC VIEW



Parts Breakdown

ITEM	PART NO.	DESCRIPTION	QTY.
1	3030-110-101	D/JUMBO D-CYL.-LARGE REGULATOR	1
2	9110-361608	#8 x 1/2" FLAT HD, SOCKET HD. S.S.	2
5	3030-113-109	D-CYL. BRACKET CAM (LEFT)	1
6	3030-113-111	D-CYL. BRACKET CAM (RIGHT)	1
7	3030-113-113	D-CYL. BRACKET CAM SPRING	2
8	3030-113-115	D-CYL. BRACKET CAM SPACER	2
9	3030-113-117	D-CYL. BRACKET RETURN SPRING RH	1
10	3030-113-119	D-CYL. BRACKET RETURN SPRING LH	1
11	3030-113-121	D-CYL. BRACKET SPRING JACKET	1
13	9110-352512	BUTTON HD CAP, 1/4"-20 X 3/4 S.S.	2
14	9114-112500	WASHER, 1/4" FLAT S.S.	2
17	9113-172500	LOW PRO. NUT, 1/4-20, NYLOCK S.S.	2
18	9114-111700	#8 FLAT WASHER, NARROW S.S.	2
19	9113-191700	LOW PRO. NUT, #8, NYLOCK S.S.	2
20	3030-110-105	EDGE GUARD, VINYL	1
27	3030-110-131	LABEL, PATENT#, QD-D-3	1
28	3030-112-117	LABEL, OXYGEN WARNING	1

Operating Instructions

To store standard, jumbo, and steel "D" cylinders:

1. Place bottom of cylinder against Return Spring Assembly (9, 10, & 11).
2. Lower cylinder through the bracket cams (3 & 4), until both click into the locked position.
3. Check that the cylinder is now secure against the latches.

To remove cylinders:

1. Slightly press cylinder against the D-Cyl. Bracket Form (1) to relieve pressure on the latch.
2. Squeeze bracket cams (3 & 4) inward, toward each other, to disengage the latches.
3. Lift the cylinder free of the bracket cams and remove from bracket.

Mounting Instructions

- Mount horizontally.
- Brackets may be mounted side by side.
- Minimum of 3 mounting points using 1/4" screws.
- Mounting surface must be able to withstand a pull-out force exceeding strength of screws.



Ziamatic Corp.

10 West College Avenue, P.O. Box 337, Yardley, PA 19067-0587 • (215) 493-3618 • FAX: (215) 493-1401

www.ziamatic.com

TOLL FREE: 800-711-3473

*ZICO is a registered trademark for fire, safety and marine products made by Ziamatic Corp.

Copyright Ziamatic Corp. 12-16