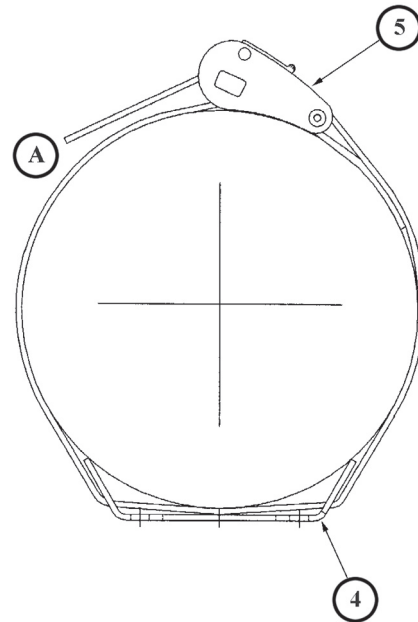
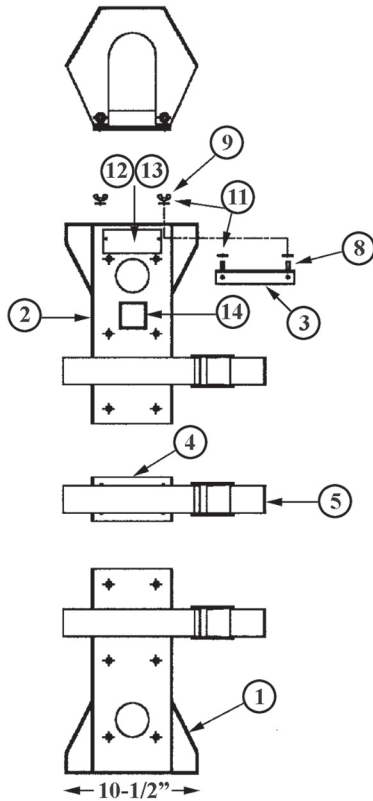


QUIC-RELEASE® MULTIVERSAL BRACKET MODEL QR-MV

NOTE: Running end of strap "A" goes under latch and back through front of latch between retainer and thumb release.



| ITEM NO. | DESCRIPTION | PART NUMBER | PIECES REQUIRED |
|----------|-----------------------------|--------------|-----------------|
| 1 | Base Plate Assembly | 3030-135-105 | 1 |
| 2 | Retainer Assembly | 3030-135-110 | 1 |
| 3 | Stop | 3030-000-109 | 1 |
| 4 | Support Strap | 3030-135-120 | 1 |
| 5 | Strap & Buckle Assembly | 3030-135-135 | 3 |
| 8 | 1/4" x 3/4" Hex Head Bolt | 9010-102512 | 2 |
| 9 | 1/4-20 x 3/4" Dia. Thumbnut | 9012-352500 | 2 |
| 11 | 1/4" Flat Washer | 9014-112500 | 4 |
| 12 | #4 Drive Screw | 9020-101102 | 2 |
| 13 | Label "CAUTION/MODEL NO." | 3030-135-140 | 1 |
| 14 | Label "KKK" | 3030-000-115 | 1 |



Ziamatic Corp.

10 West College Avenue, P.O. Box 337, Yardley, PA 19067-0587 • (215) 493-3618 • FAX: (215) 493-1401

www.ziamatic.com

TOLL FREE: 800-711-3473