

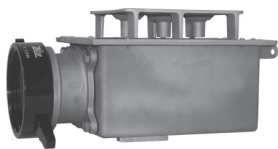
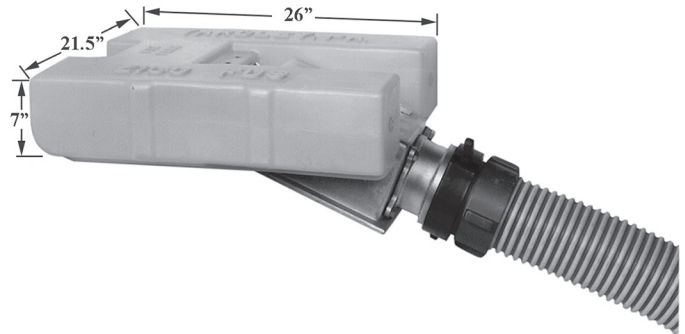
**QUIC-DRAFT® FLOATING STRAINERS**  
**MODEL FDS**  
**PARTS MANUAL**



QUIC-DRAFT floating strainers help draft water from virtually any source, deep or shallow, insuring you get a sufficient volume of water at draft from pools, ponds, portable tanks, and more.

**The FDS-500 is capable of flows in excess of 1750 GPM and the FDS-600 over 2100 GPM.**

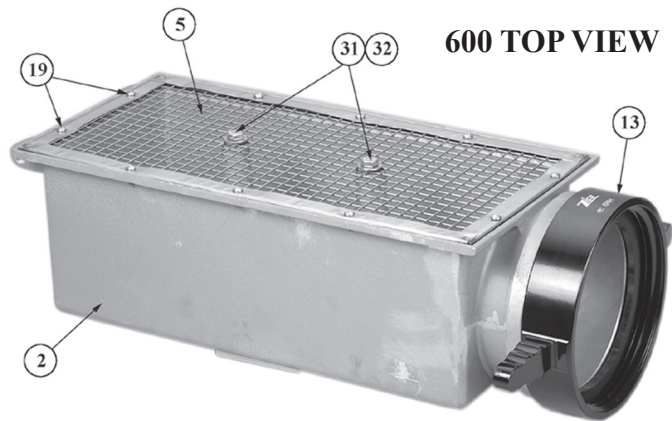
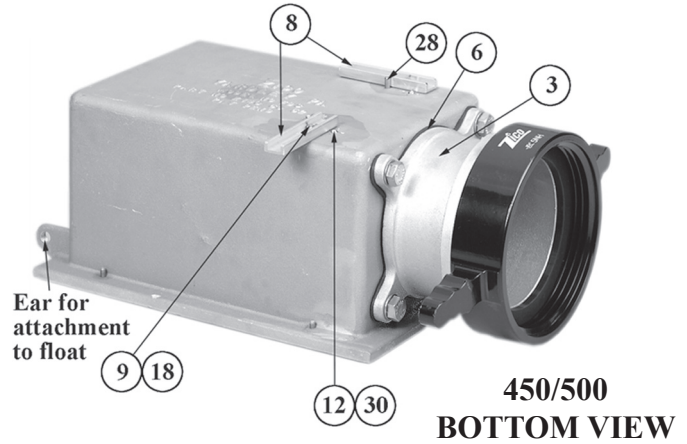
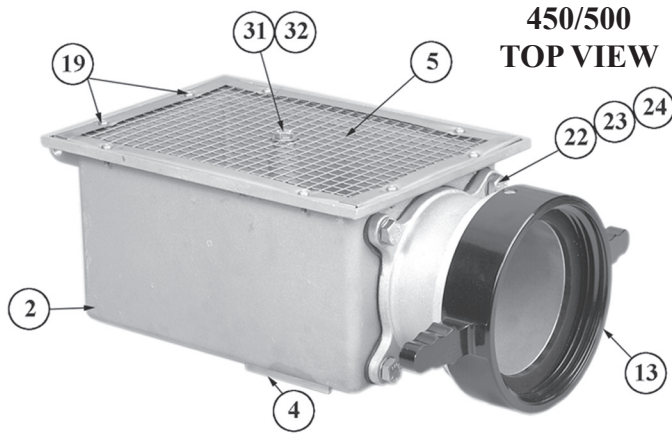
The box strainer, more efficient than a barrel strainer, can be easily detached from the float to be used alone, for storage purposes, or to leave it attached to the hard sleeve. The float has a large carrying handle for easy transport and the box strainer may be locked in place to prevent banging against the carrier's legs. The foam-filled polyethylene float is puncture-resistant for years of maintenance free service, and bright yellow to easily locate in darker conditions.



A Model FDSR Riser can be added to any ZICO strainer to prevent portable tank liners from being sucked against screen. See page 4.

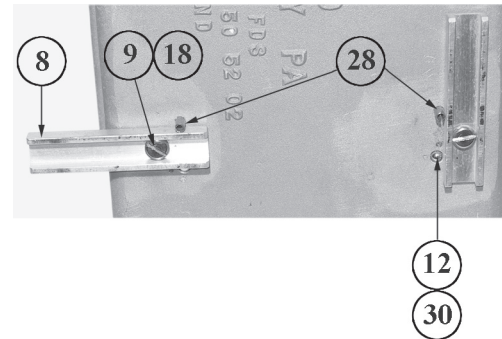
MODEL	DESCRIPTION	WT./@ IN LBS.
FDS-110-S	Storz A110 coupling	25.1
FDS-450-NST	4-1/2" NST female coupling	24.6
FDS-500-nST	5" NST female coupling	27.0
FDS-500-S	5" Storz coupling	25.1
FDS-600-nST	6" NST female coupling	28.6
FDS-600-S	6" Storz coupling	30.5
S-450-NST	Strainer box only, 4-1/2" NST	14.8
S-500-NST	Strainer box only, 5" NST	14.8
S-500-S	Strainer box only, 5" Storz	14.3
S-600-NST	Strainer box only, 6" NST	15.3
S-600-S	Strainer box only, 6" Storz	19.7
FDS-RF	Float only, less hardware	10.2
FDS-RF/H	Float only, complete with hardware	12.2
FDS-450/500-SC	Screen only for 4-1/2" or 5" box	1.0
FDS-600-SC	Screen only for 6" box	1.1
FDSR	Riser plate only, complete with hardware	2.4

# Strainer Box Assembly



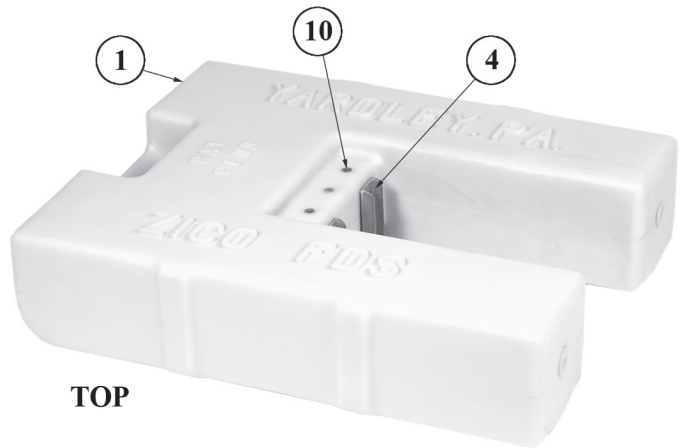
To transport:

Latch (8) swings out and locks in place over the float (1) to prevent the box from swaying freely as the complete assembly is being carried. Swing them back out of the way before use or when removing box from the float.

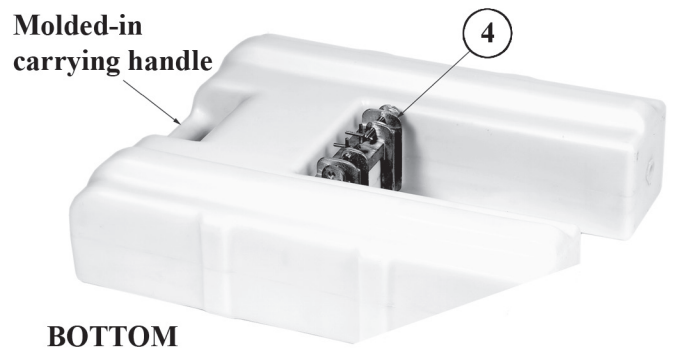


ITEM NO.	DESCRIPTION	S-450-NST	S-500-NST	S-500-S	S-600-NST	S-600-S	PCS. REQ.
2	Strainer box casting	2035-000-110	2035-000-110	2035-000-110	2035-000-115	2035-000-116	1
3	Adapter casting	2035-000-120	2035-000-125	2035-000-126			1
5	Screen, stainless	2035-000-150	2035-000-150	2035-000-150	2035-000-155	2035-000-155	1
6	Gasket, neoprene	2035-000-145	2035-000-145	2035-000-145			1
8	Latch, 3-1/2" L	2035-000-170	2035-000-170	2035-000-170	2035-000-170	2035-000-170	2
9	Bushing, brass	2035-000-175	2035-000-175	2035-000-175	2035-000-175	2035-000-175	2
12	Ball, 1/4" O.D.	2035-000-180	2035-000-180	2035-000-180	2035-000-180	2035-000-180	2
13	Coupling nut	2000-000-160	2000-000-175	2000-000-177	2000-000-187	2000-000-189	1
18	1/4-20 x 1/2 pan hd.	9110-212508	9110-212508	9110-212508	9110-212508	9110-212508	2
19	10-32 x 5/8 pan hd.	9125-132010	9125-132010	9125-132010	9125-132010	9125-132010	8-10
22	1/2-13 x 1-1/2 hex hd.	9110-105024	9110-105024	9110-105024			4
23	1/2-13 x 1/2 hex nut	9112-105000	9112-105000	9112-105000			4
24	1/2 I.D. lock washer	9114-205000	9114-205000	9114-205000			4
28	3/16 x 3/4 spring pin	9140-101812	9140-101812	9140-101812	9140-101812	9140-101812	2
30	Compression spring	2035-000-190	2035-000-190	2035-000-190	2035-000-190	2035-000-190	2
31	3/8-16 x 3/4 hex hd.	9110-103712	9110-103712	9110-103712	9110-103712	9110-103712	1-2
32	3/8 I.D. flat washer	9114-113700	9114-113700	9114-113700	9114-113700	9114-113700	1-2

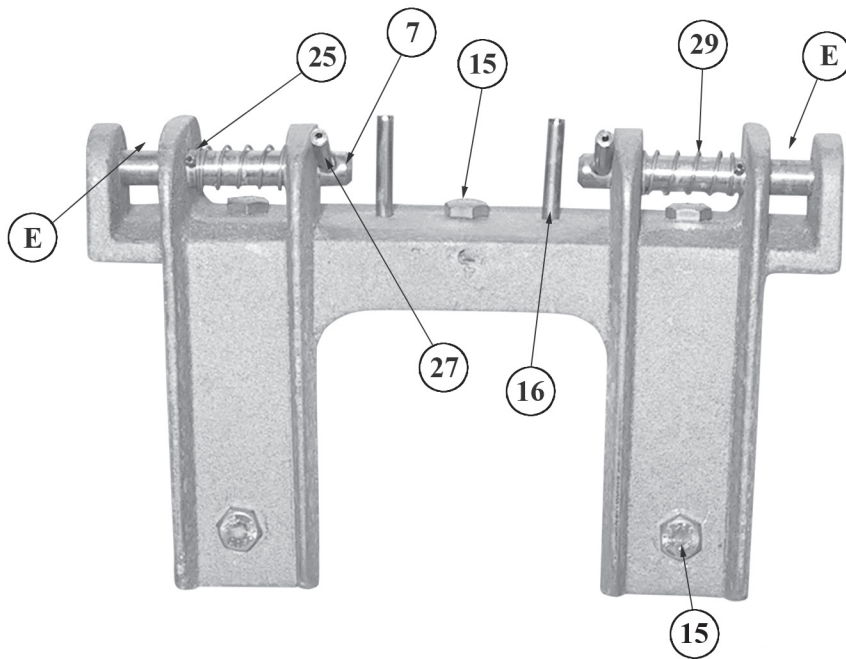
# Float Assembly



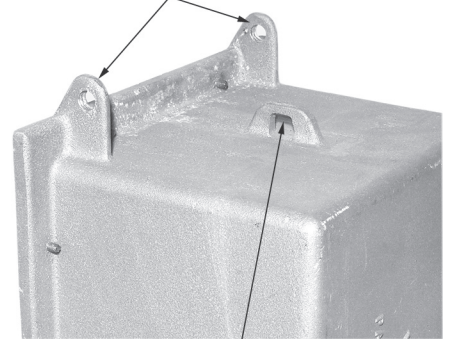
TOP



BOTTOM



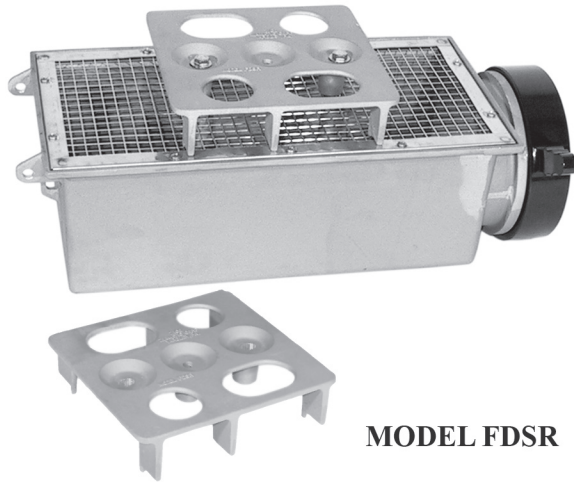
Strainer box ears attached at point "E" (see left)



Loop for optional lanyard attachment

ITEM NO.	DESCRIPTION	FDS-RF/H	PCS. REQ.
1	Rotomolded float	2035-000-160	1
4	Mount bracket casting	2035-000-132	1
7	Pin, 3/8" dia.	2035-000-165	2
10	Insert, brass	2035-000-105	5
15	1/4-20 x 3/4 hex hd	9110-102512	5
16	3/16 x 1-1/4 spring pin	9140-101820	2
25	3/32 x 3/4 spring pin	9140-100912	2
27	3/16 x 1-1/2 spring pin	9140-101824	2
29	Compression spring	2035-000-185	2

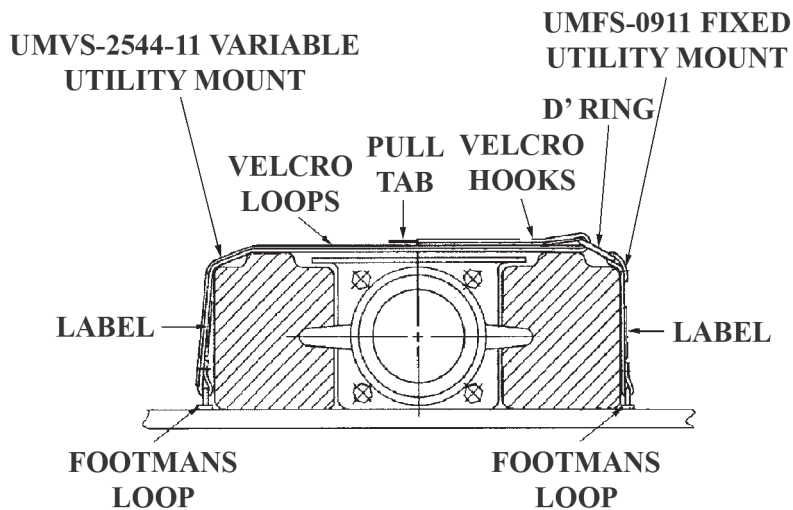
## Optional Riser Plate



MODEL FDSR

Riser plate (FDSR) should be bolted to the center post(s) using 3/8-16 hardware provided (31 & 32) whenever the strainer box (2) is used in the inverted position in a portable water tank. The riser prevents the tank's liner from being sucked flat against the screen (5), which could damage the screen or pump. Never allow debris to cover the screen for the same reason.

## Mounting Your Floating Strainer



QUIC-STRAP® variable utility mount (UMVS-2544-11) and fixed utility mount (UMFS-0911) hold the float assembly to any flat mounting surface. Two of each straps should be used. Straps come with footman's loops.



Ziamatic Corp.

10 West College Avenue, P.O. Box 337, Yardley, PA 19067-0587 • (215) 493-3618 • FAX: (215) 493-1401

\*ZICO is a registered trademark for fire, safety and marine products made by Ziamatic Corp.

www.ziamatic.com

TOLL FREE: 800-711-3473

Copyright Ziamatic Corp. 12-12