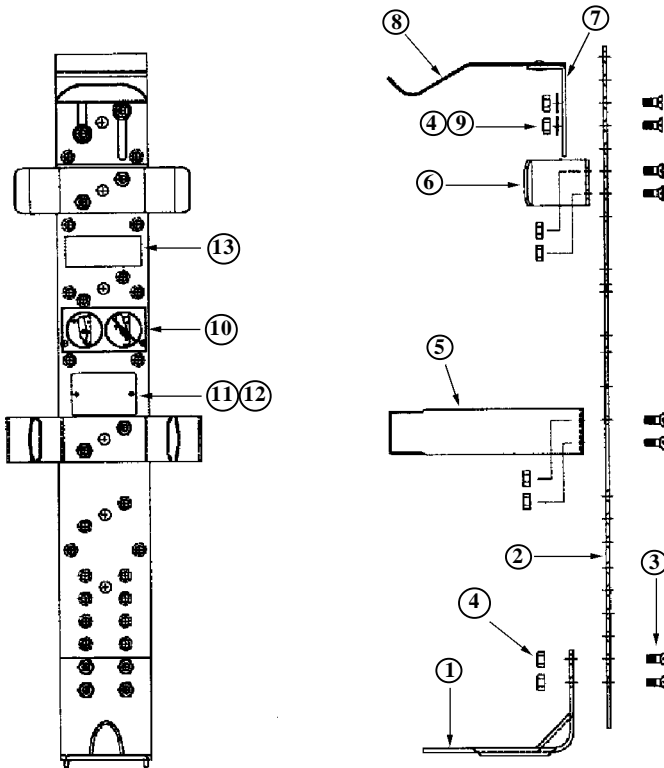


WALKAWAY® Brackets for SCOTT® AIR-PAK® Model SC-50-H-__-SF

ZICO*

1052PM1



Model SC-50-H-__-SF brackets are recommended for use with all fiberglass, Kevlar and carbon cylinders with the exception of the 60-minute, 7.2" diameter, full wrap Kevlar cylinders (use model UH-7-60-2-SF bracket).

NFPA 1901-96 recommends use of cylinder restraint straps with self-contained breathing apparatus mounted in the crew area of fire apparatus. Model CRS Collision Restraint Strap meets this standard.

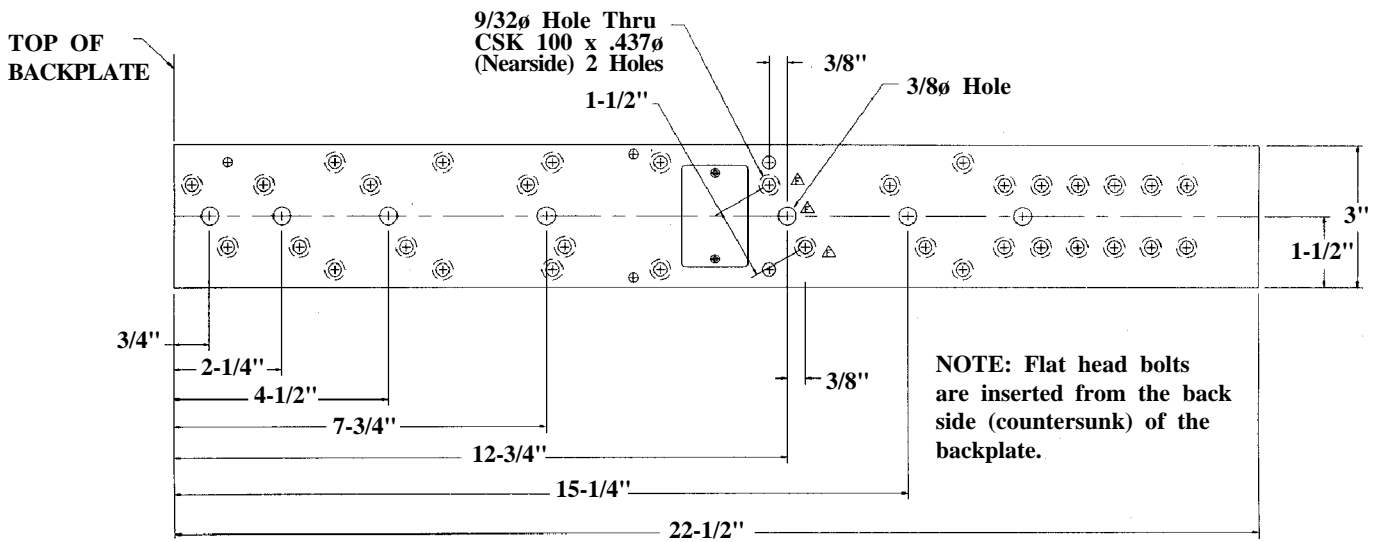
Follow steps 5 through 16 on page two to assemble the bracket.

**PARTS QTY. FOR
MODEL NO.
SC-50-H-__-SF**

| ITEM NO. | DESCRIPTION | PARTS QTY. FOR MODEL NO. SC-50-H-__-SF | | ORDERNUMBER |
|----------|---|--|---|------------------------------|
| | | 5 | 6 | |
| 1 | Short footplate, nylon coated | 1 | 1 | NSF |
| 2 | Universal backplate, nylon coated | 1 | 1 | UN |
| 3 | 1/4-20 x 9/16" flat head, phillips, M/S | 8 | 8 | 9010-162509 |
| 4 | 1/4-20 ESNA lock nuts | 8 | 8 | 9013-172500 |
| 5 | { H-5 High cycle clip for 5.5" diameter cylinder H-6 High cycle clip for 6.75 to 6.85" diameter cylinder | 1 | 1 | H-5 H-6 |
| 6 | { Seat for 5.5" diameter cylinder Seat for 6.75 to 6.85" diameter cylinder | 1 | 1 | 1052-221-115 1062-221-115 |
| 7* | Clipholder | 1 | 1 | 1052-221-105 |
| 8* | { Top clip for 5.5" diameter cylinder Top clip for 6.75 to 6.85" diameter cylinder | 1 | 1 | 1052-221-110 1062-221-110 |
| 7/8 | { Clip holder & top clip assembly - 5.5" Clip holder & top clip assembly - 6.75" | 1 | 1 | 1052-221-125 1062-221-125 |
| 9 | 1/4 I.D. flat washer | 2 | 2 | 9014-112500 |
| 10 | Label "Proper storage..." | 1 | 1 | 1052-000-130 |
| 11 | { Label "Model & Patent Numbers - 5.5" Label "Model & Patent Numbers - 6.75" | 1 | 1 | 1052-221-005 1062-221-005 |
| 12 | #4 drive screw | 2 | 2 | 9020-101103 |
| 13 | Label "Final adjustment may be..." | 1 | 1 | 1052-221-120 |

*Must purchase as assembly (see 7/8)

Kits are available to convert the UH or KD-UH brackets to the SC-50 style (see Page 2).



Components of the Conversion Kit:

Each kit contains 1 each seat (6), clip holder and top clip assembly (7/8), and a bolt pack containing items 3, 4, 9 and 10.

To Convert Knock-Down Bracket to SC-50 Style:

1. Unbolt and remove two spring clips (5) and foot plate (1) and lay aside.
2. Lay out diagonal hole set for the number 5 clip location, 12-3/4" down from the top of the bracket.

The center 3/8" diameter hole does not need to be drilled unless this hole will be used for mounting the bracket.

3. Drill the new hole set using a 9/32" drill.
4. Paint exposed metal with a quick drying black enamel paint to prevent rusting.
5. Footplate may be re-attached using the last two parallel hole sets for the short footplate (NSF). The standard footplate (NF) may also be used with the bottom parallel hole set in the backplate matching up with the bottom parallel hole set in the footplate.
6. Re-attach spring clip using the new diagonal hole set.

NOTE: Only the "H" High Cycle clips are recommended for use with the Scott SC-50 brackets. They may be ordered separately but are not part of the conversion kit.

7. Attach seat (6), at the 3rd diagonal hole set, 4-1/2" down, from the top of the bracket.

8. Attach clip holder and top clip assembly (7/8), at the 1st diagonal hole set, 3/4" down from the top of the bracket, but do not tighten completely.
9. Lay the complete SCBA unit on a work table with the cylinder side up.
10. Snap the bracket down over the cylinder with the footplate (1) against the bottom of the valve.
11. Slide the clip holder and top clip assembly (7/8) down until the top clip (8) makes contact with the top of the air cylinder.
12. Mark the bottom of the clip holder and top clip assembly (7/8) where it meets the backplate (2).
13. Remove the SCBA unit.
14. Lower the clip holder and top clip assembly (7/8) 1/8" from the point marked and tighten.
15. The bracket is now ready for mounting.

To Convert Universal Bracket to SC-50 Style:

1. Drill out the rivets securing the spring clips (5) to the backplate (2) using a 9/32" drill.
2. Paint exposed metal with a quick drying black enamel paint to prevent rusting.
3. Follow steps 2 through 16 under "Convert Knock Down Bracket".



Ziamatic Corp.

10 West College Avenue, P.O. Box 337, Yardley, PA 19067-0587 • (215) 493-3618 • FAX: (215) 493-1401

*ZICO is a registered trademark for fire, safety and marine products made by Ziamatic Corp.

www.ziamatic.com

CALL TOLL FREE 800-711-FIRE

Copyright Ziamatic Corp. 2-00