

DUAL AIR CYLINDER BRACKET

MODEL DACB-____

PARTS AND INFORMATION MANUAL



Designed to accommodate dual SCBA and SCUBA air cylinders, with or without a harness. Thermoplastic, non-mar, high-cycle clips can be adjusted along aluminum extrusions to secure a range of cylinder widths.

Easily mounted to any flat surface.

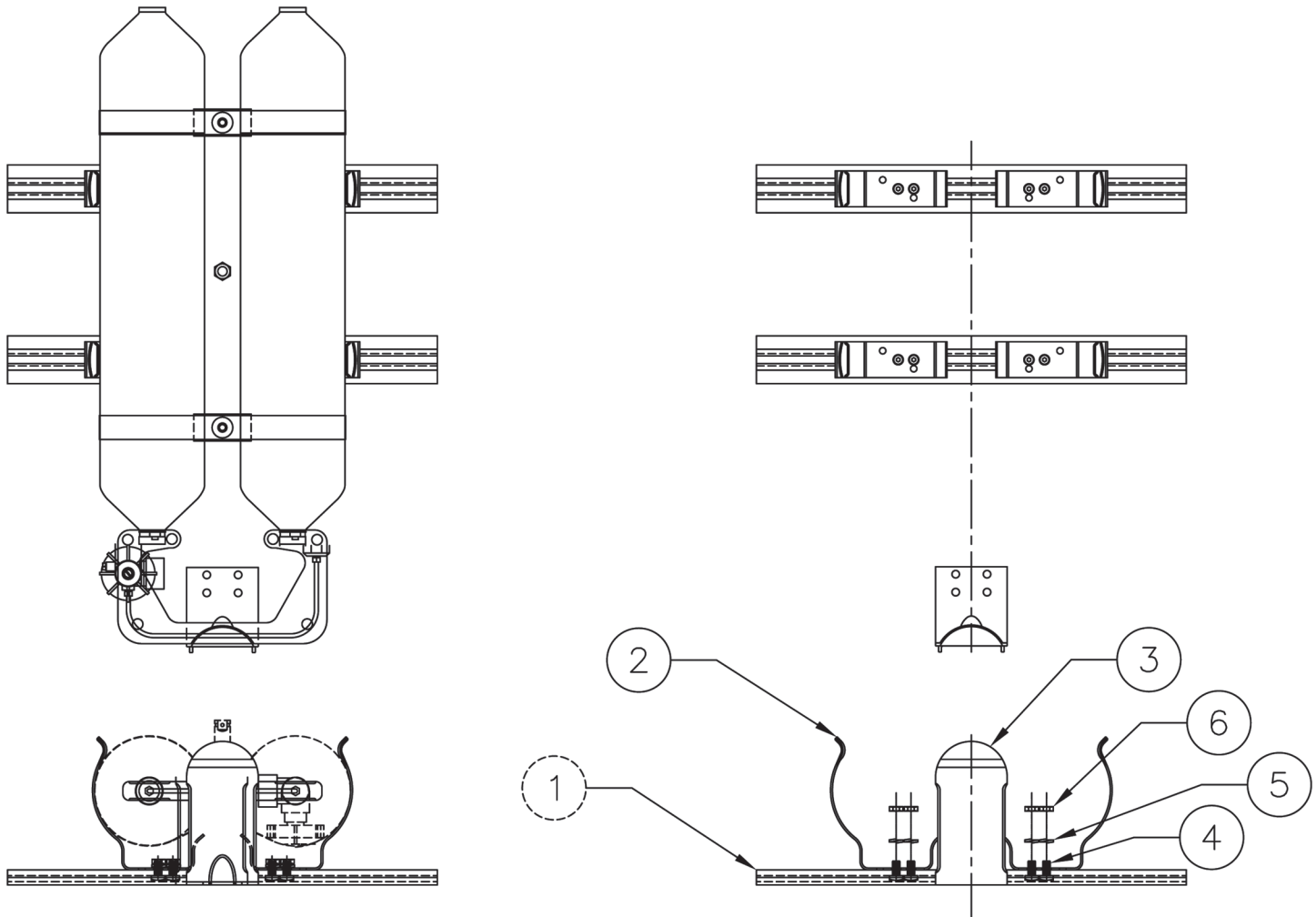
DCAB-5: Small cylinder bracket. 5" clips, ideal for 3.4 liter SCBA/SCUBA

DCAB-6: Large cylinder bracket. 6" clips, ideal for 6.7 liter SCUBA



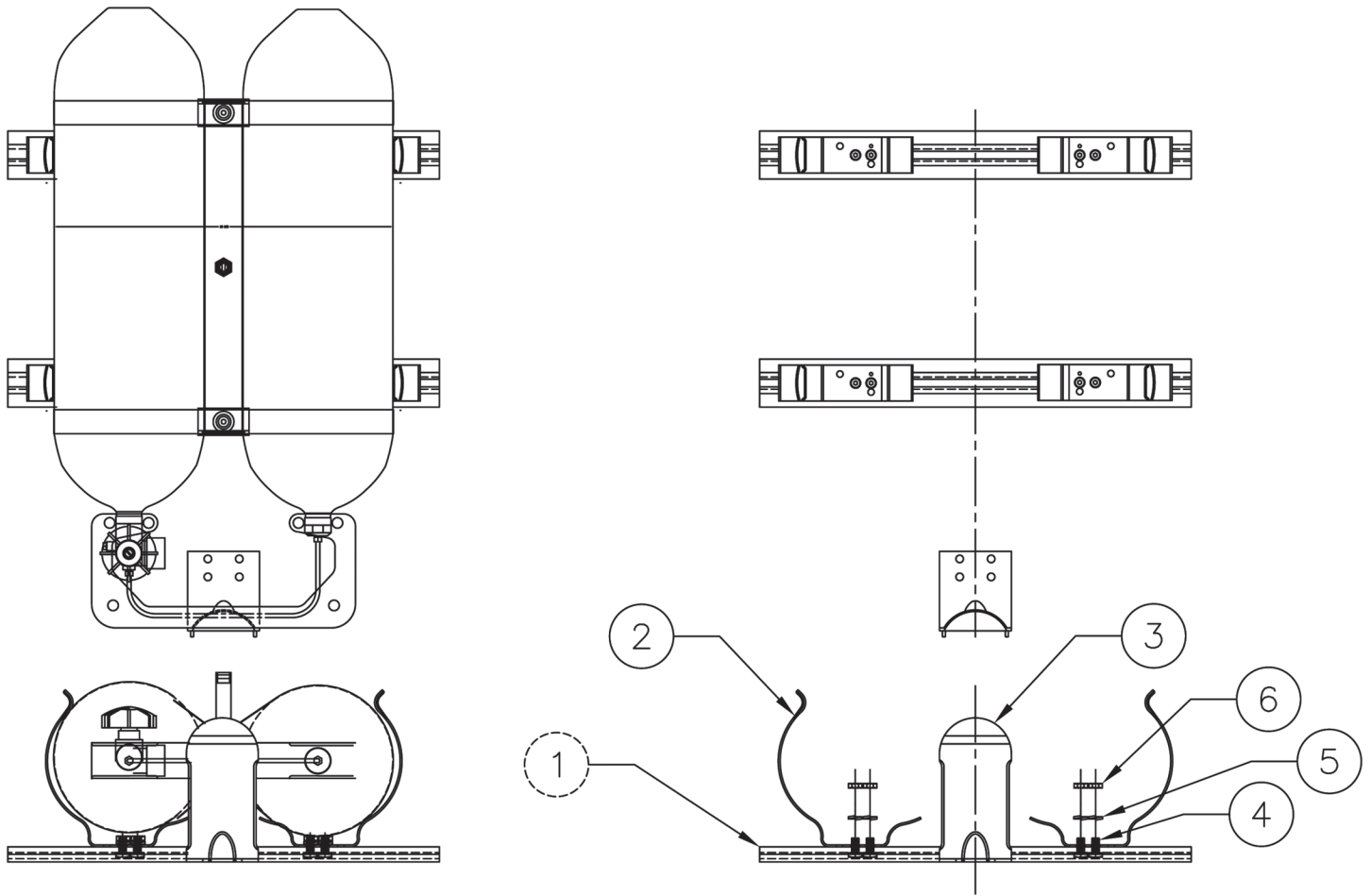
MODEL	DESCRIPTION	WT./@ IN LBS.
DCAB-5	Small cylinder bracket	4.6
DCAB-6	Large cylinder bracket	4.8

Parts Diagram/Breakdown - Model DACB-5



ITEM NO.	PART NO.	DESCRIPTION	QTY.
1	1040-400-101	Adjustable Base Channel - 18" L	2
2	1040-400-103	5" C-Clip, Modified	4
3	1040-400-105	Footplate, DACB	1
4	9010-343112	Machine Screw, Square Hd, 5/16-18 x 3/4" SZP	8
5	9014-203100	Lock Washer, Split Ring, 5/16" ID SZP	8
6	9012-103100	Hex Nut, 5/16-18 SZP	8

Parts Diagram/Breakdown - Model DACB-6



ITEM NO.	PART NO.	DESCRIPTION	QTY.
1	1040-400-101	Adjustable Base Channel - 18" L	2
2	1040-405-103	6" C-Clip, Modified	4
3	1040-400-105	Footplate, DACB	1
4	9010-343112	Machine Screw, Square Hd, 5/16-18 x 3/4" SZP	8
5	9014-203100	Lock Washer, Split Ring, 5/16" ID SZP	8
6	9012-103100	Hex Nut, 5/16-18 SZP	8

Clip Adjustment Procedure:

1. Measure width of SCBA from the outside of left cylinder to the outside of right (see Figure 1).
2. Attach clips to aluminum extrusion using outside measurements taken in Step 1 (see Figure 2).
3. Insert SCBA and check fit. When satisfied, tighten bolts on clips.

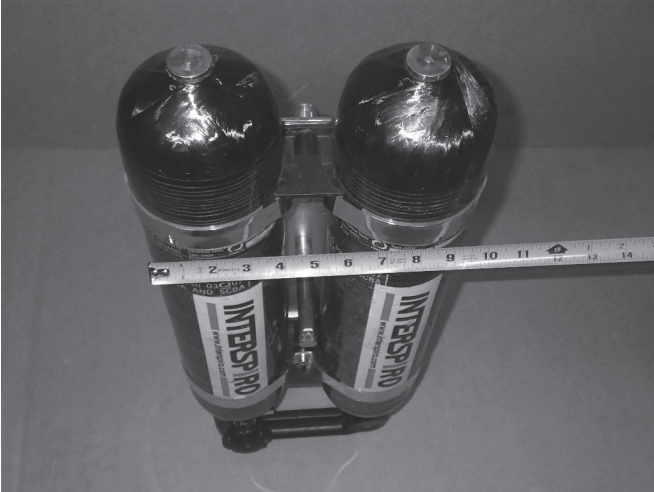


Figure 1



Figure 2



Ziamatic Corp.

10 West College Avenue, P.O. Box 337, Yardley, PA 19067-0587 • (215) 493-3618 • FAX: (215) 493-1401

*ZICO is a registered trademark for fire, safety and marine products made by Ziamatic Corp.

www.ziamatic.com

TOLL FREE: 800-711-3473

Copyright Ziamatic Corp. 4-15