

**ZICO®**

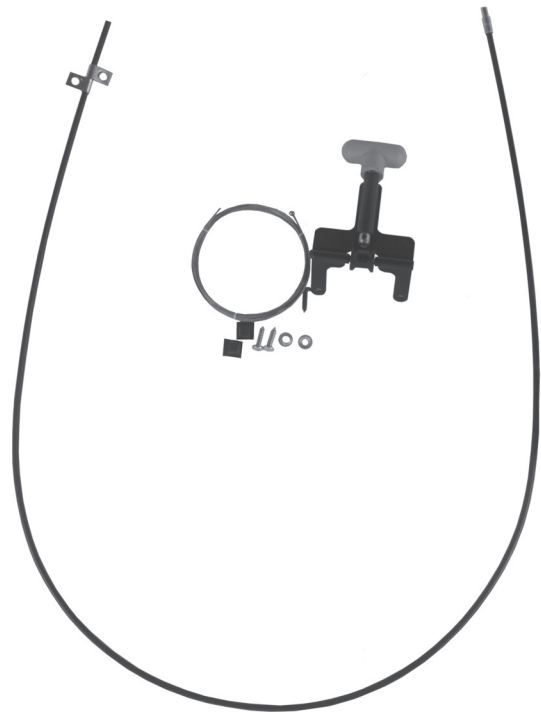
**1027PM3**

Rev. 7-6-17

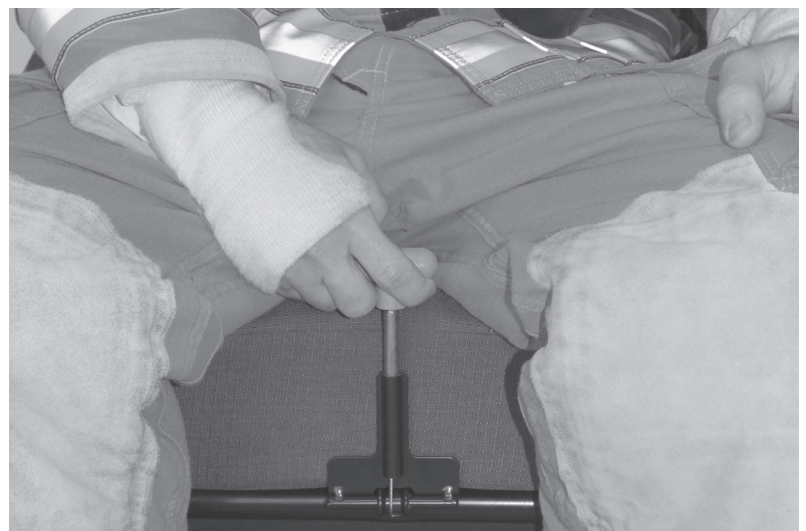
**CENTER PULL RELEASE IN 911 SEAT  
FOR THE ROL-LOC® MECHANICAL BRACKET  
MODEL QM-ROLO-CPR**

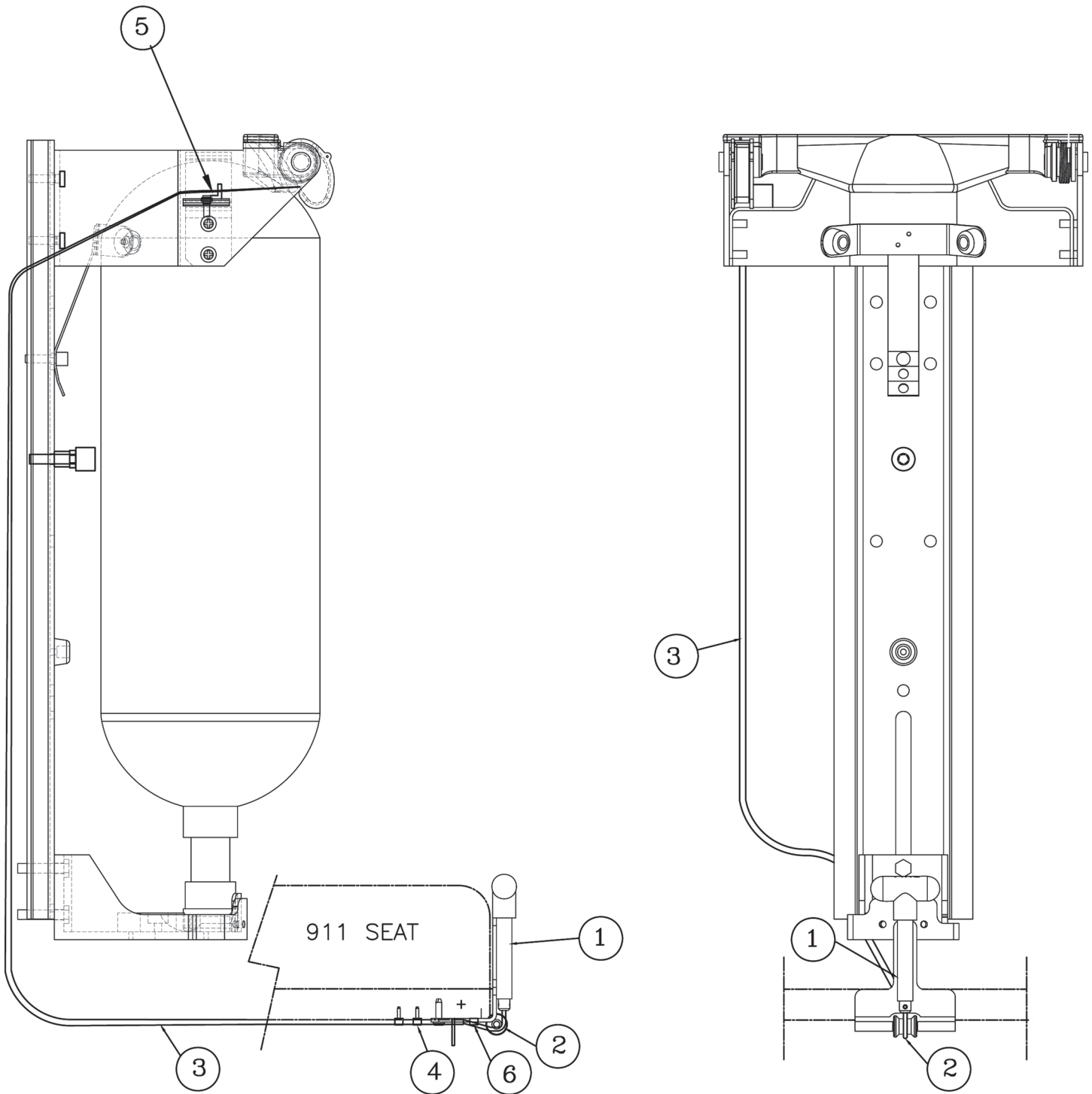


The center pull release kit allows the SCBA bracket to be released by pulling a "T" handle located on the front of the seat. The kit puts the release in an accessible location where it is not in the way of the SCBA pack straps, or the seat belt. It includes all of the parts needed to make the conversion.



Model QM-ROLO-CPR is made for the Rol-Loc SCBA bracket in a 911 seat. For additional models or other combinations please contact us at 1-800-711-FIRE.



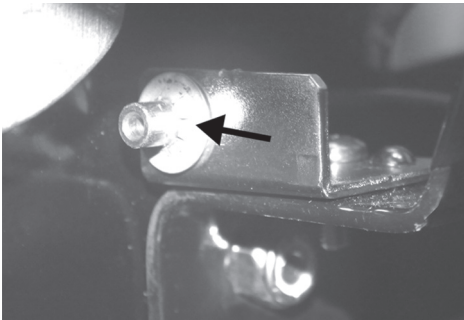


ITEM NO.	PART NO.	DESCRIPTION	QTY.
1	1010-065-905	911 Center Pull Release Assembly	1
2	1027-140-101	Pull Release Cable Assembly 70.5"	1
3	1027-142-995	Conduit Assembly 57" w/Clips	1
4	9085-002012	#10 x 3/4" Phillips Pan Screw	2
5	1027-105-137	Push Nut (For 6mm Rod)	1
6	1045-505-102	Adhes. Back Polyurethane Bumper	2

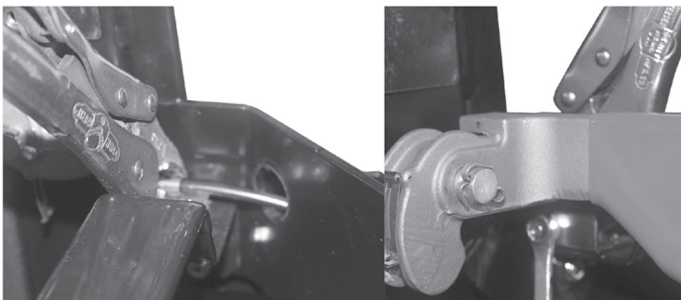
# Center Pull Release Installation Instructions

Before installing the Center Pull Release kit, make sure that the Rol-Loc is fully adjusted for the SCBA being used.

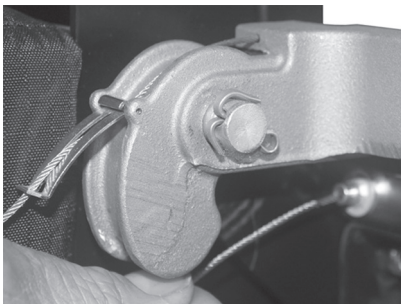
1. Remove the seat cushion from the seat and place it in an easily accessible location.
2. If the standard pull release is attached to the bracket, pry off the push nut and remove the release. If no release is attached, skip to the next step.



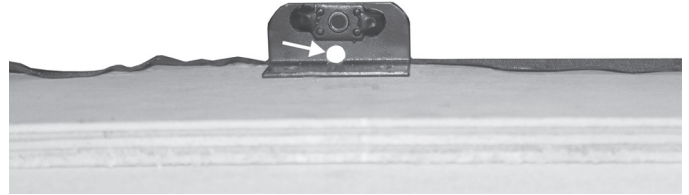
3. Feed the cable housing from the rear hole into the cable housing bracket. Use a push nut (Item 5) to attach it to the bracket. A pair of vice grips and a 5/16" box wrench is suggested for this process.



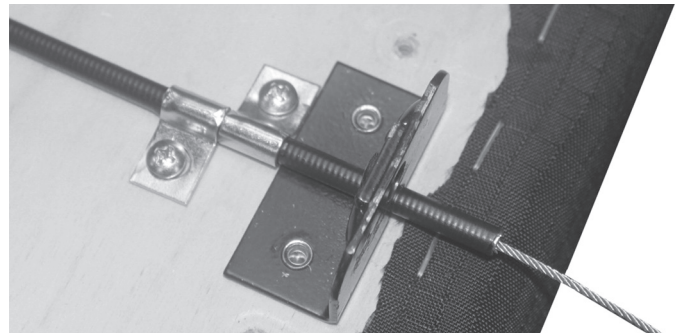
4. Feed the cable from the back of the Rol-Loc casting and feed it through the cable guide as shown in the picture below. Feed the cable through until it is visible from the end of the conduit.



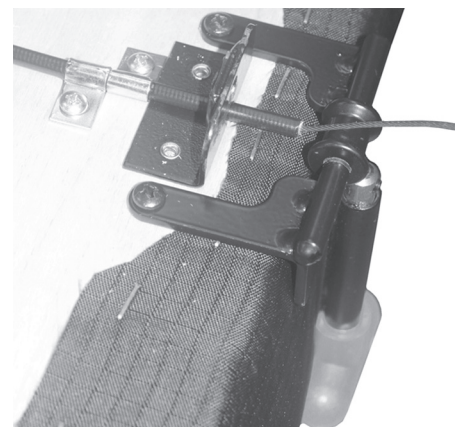
5. On the bottom of the seat cushion, locate the black bracket and check to see if a 1/4" hole has been drilled at the lowest spot on the surface of the center point. If not, drill a hole as shown below.



6. Feed the cable end of the cable assembly from the bracket location through the seat in a way that it will not be pinched or kinked when the cushion is in place. Then feed the cable assembly through the hole drilled in the previous step until the front cable bracket touches the black bracket. Once in place, use (2) #10 x 3/4" wood screws (Item 4) to secure it.



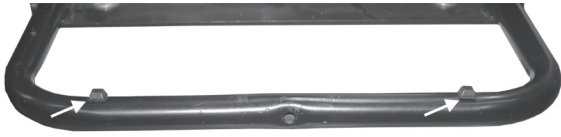
7. Hold the "T" handle and mounting bracket (Item 1) to the front of the seat so that it is flush on the front of the seat. Once in the proper position, secure it using (2) #10 wood screws that are included in the bag with Item 1.



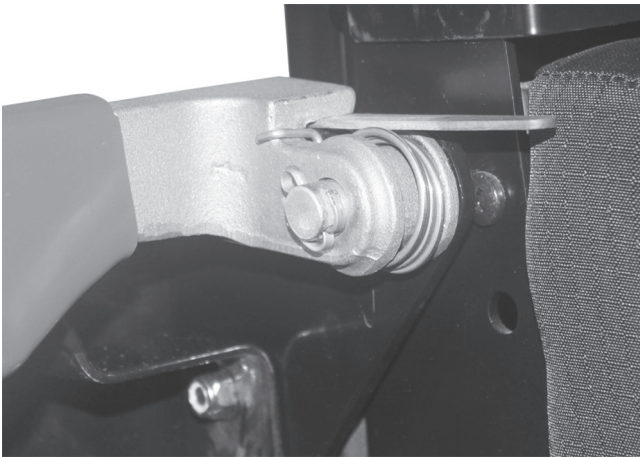
## Center Pull Release Installation Instructions Continued

---

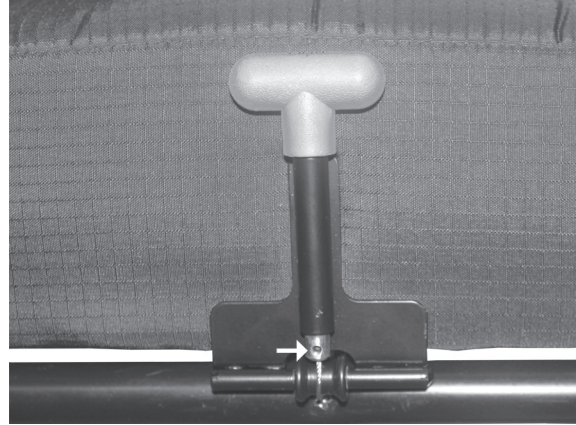
8. Attach (2) adhesive bumpers (*Item 18*) to the seat frame as shown in the picture.



9. Re-attach the seat cushion to the frame and confirm that the cable and conduit are not being pinched or kinked by the cushion or attaching screw.
10. Insert a shim to the top clamp to alleviate tension on the cable.



11. Feed the cable under the roller and toward the bottom of the "T" handle and insert the cable into the bottom of the "T" handle shaft. Make sure the "T" handle is in the down position, then tighten the (2) 5/64" hex set screws. (There is one on the front and one on the back. The handle will need to be rotated 180° to reach the second screw.)



12. The center pull release should now be installed properly. Remove the shim and check to make sure that it releases the Rol-Loc properly without the "T" handle coming out of the bracket. If this is an issue, begin with step 11 again and follow to the end.



**Ziamatic Corp.**

10 West College Avenue, P.O. Box 337, Yardley, PA 19067-0587 • (215) 493-3618 • FAX: (215) 493-1401

\*ZICO is a registered trademark for fire, safety and marine products made by Ziamatic Corp.

[www.ziamatic.com](http://www.ziamatic.com)

TOLL FREE: 800-711-3473

Copyright Ziamatic Corp. 7-17