

**ZICO®**

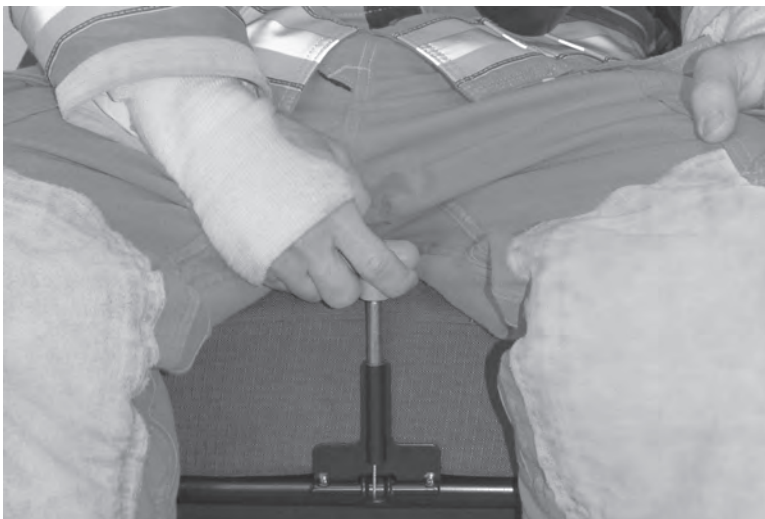
**1026PM7**

Rev. 7-6-17

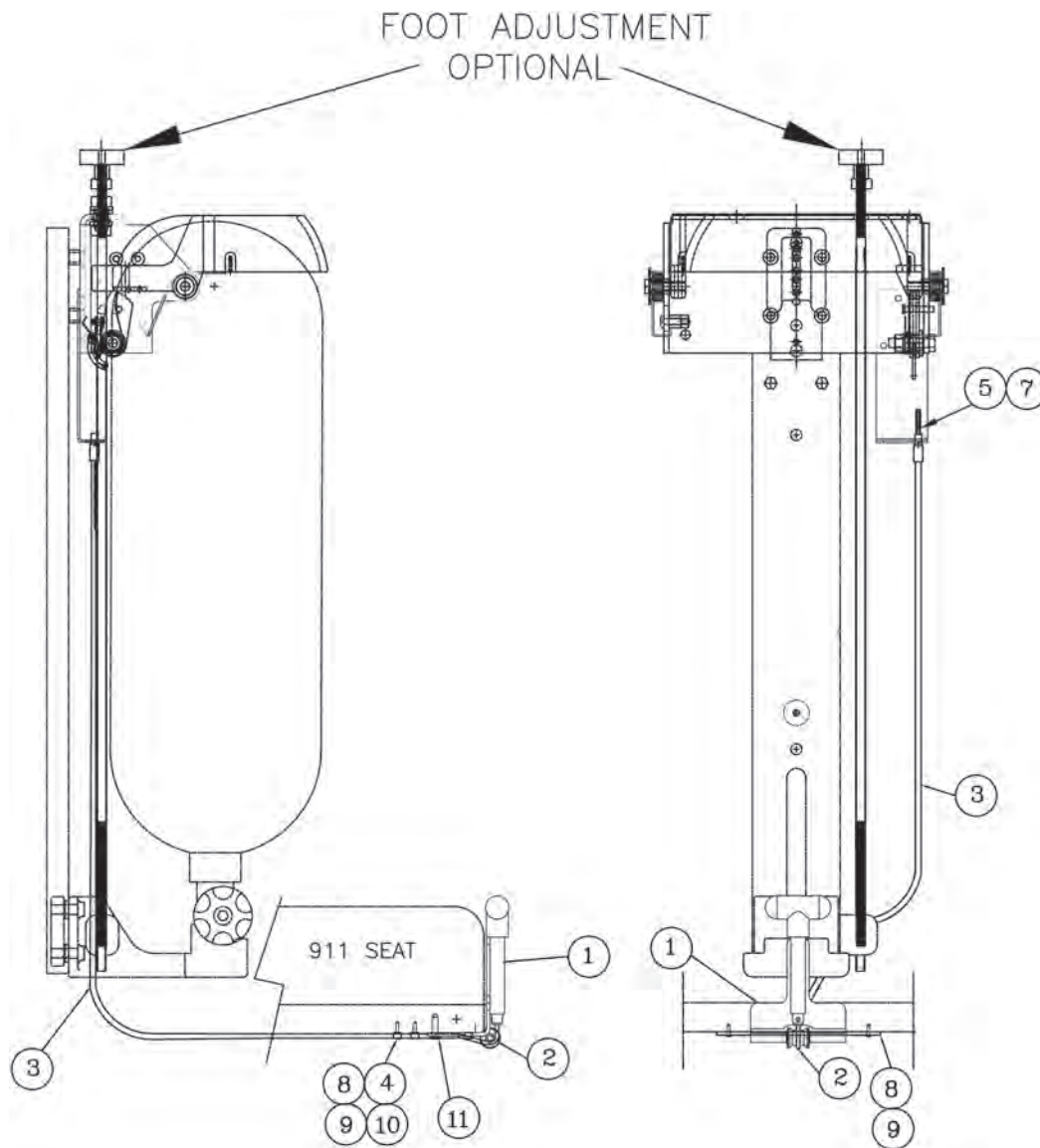
**CENTER PULL RELEASE IN 911 FLIP-UP SEAT  
FOR THE EZ-LOC® MECHANICAL BRACKET  
MODEL QM-EZL-CPR-F**



The center pull release kit allows the SCBA bracket to be released by pulling a "T" handle located on the front of the seat. The kit puts the release in an accessible location where it is not in the way of the SCBA pack straps or the seat belt. It includes all of the parts needed for setup.



Model QM-EZL-CPR-F is made for the EZ-LOC SCBA bracket in a Seats, Inc. 911 Flip-up seat. For additional models or other combinations, please contact us at 1-800-711-FIRE.



ITEM NO.	PART NO.	DESCRIPTION	QTY.
1	1010-065-905	911 Center Pull Release Assembly	1
2	1026-210-101	Pull Release Cable Assembly 51-1/2"	1
3	1026-210-995	Conduit Assembly 47"	1
4	9010-221606	8-32 x 3/8 PH PHIL	2
5	1027-105-137	Push Nut (for 6MM Rod)	2
7	1026-200-103	Spring	1
8	1027-146-101	Flip-Up Plate	1
9	9085-002012	#10 x 3/4" Phillip Pan S/M/S ZPS	4
10	1027-144-105	Conduit Clamp	2
11	9025-172006	10-32 x 3/8, Thrd Frming, ZPS Screw	2
12	0000-000-184	Nylon Cable Tie, Black 11"	1

# Center Pull Release Installation for 9-11 Series Flip-Up

---

*Before installing the Center Pull Release kit, make sure that the EZ-LOC is fully adjusted for the SCBA being used.*

*Note: Numbers in parentheses refer to part number (see page 2)*

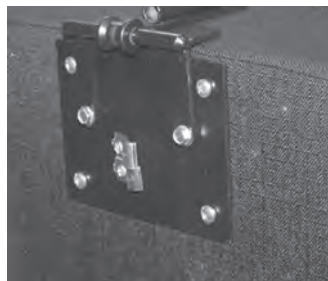
1. Mount the center pull assembly (1) to the flip-up plate (8) with the two 10-32 x 3/8" screws (11). The position of the plate is between the pull release assembly and the seat bottom.



2. Locate the release assembly at the front of and center of the seat and attach with four #10 screws (9).



3. Mount the conduit clamps (10) to the plate with the 8-32 x 3/8" screws (4). Do not tighten.



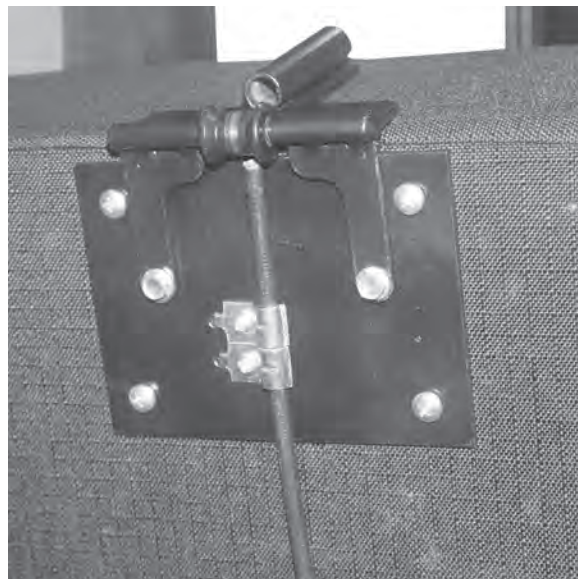
4. Attach the conduit assembly 47" (3) to the mounting bracket using a 6mm push nut (an extra push nut, Item 5, is provided in the event the first is damaged during installation).



5. The end of the conduit (3) with the crimped fitting can now be routed between the seat and the hinge rod and up to and through the access hole to engage the pull release bracket attached to the top strap.



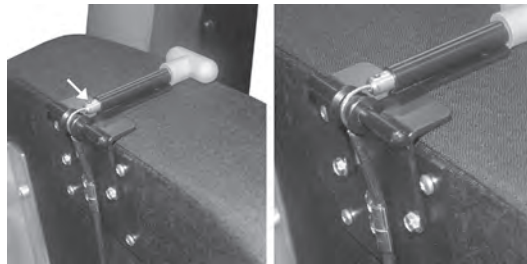
6. Feed the non-crimped end of the conduit through the clamps, push it even with the end of the plate, and tighten the clamps.



7. Attach your new cable (2) through the strap fork. Slide your new spring (7) onto the cable.



8. Feed the cable under the roller and toward the bottom of the "T" handle and insert the cable into the bottom of the "T" handle shaft. Make sure the "T" handle is in the down position, then tighten the two 5/64" hex set screws (there is one front and one back; the handle will need to be rotated 180 degrees to reach the second screw).



*Ziamatic Corp.*

10 West College Avenue, P.O. Box 337, Yardley, PA 19067-0587 • (215) 493-3618 • FAX: (215) 493-1401

\*ZICO is a registered trademark for fire, safety and marine products made by Ziamatic Corp.

[www.ziamatic.com](http://www.ziamatic.com)

TOLL FREE: 800-711-3473

Copyright Ziamatic Corp. 7-17