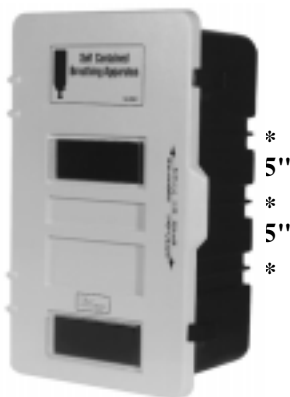


QUIC-ACCESS® MOLDED CABINETS FOR SELF-CONTAINED BREATHING APPARATUS



Model MMWC-1 Cabinet with Model CMB Cabinet Mounting Bracket. Optional shelves and Self-Adhesive Labels Available.



MMWC CABINETS

Constructed of UV stabilized ABS materials with highly visible doors. Stick-on labels are provided to indicate minutes duration of SCBA unit(s) mounted inside. Bulb seal gasket locks out moisture and dirt, while thermoplastic hinges and latches are highly resistant to corrosive chemicals and ultraviolet exposure. Without opening the door, sight windows allow external visual inspection of contents and air cylinder pressure readings. Handle is molded into the door.

ORDER NO.	DESCRIPTION	OUTSIDE DIMENSIONS W x H x D	INSIDE DIMENSIONS W x H x D	WT./@ IN LBS.
MMWC-1	Single Bottle Cabinet	21-1/2" x 32-1/2" x 14-1/4"	16" x 29" x 13"	†20.3
MMWC-1-S	Shelf for MMWC-1 Cabinet	17-1/8" x 3/16" x 11-1/2"	Not Applicable	1.0

Model MMWC-2

Molded cabinet for two SCBA units:

Cabinet may also hold spare cylinder, depending on brand being used. Four viewing windows are featured. *Optional 1, 2, or 3 shelves may be placed into MMWC-1 or MMWC-2 cabinets. Distance from center shelf to one below or above is 5". Self-sticking labels, optional, to cover existing SCBA description are available for: Protective Clothing, Emergency Equipment, or Emergency Respirators.



Model MMWC-2 Cabinet with Two SCBA Supported By WALKAWAY Brackets



ORDER NO.	DESCRIPTION	OUTSIDE DIMENSIONS W x H x D	INSIDE DIMENSIONS W x H x D	WT./@ IN LBS.
MMWC-2	Double Bottle Cabinet	32" x 32-1/2" x 14-1/4"	27" x 29" x 12-3/4"	†28.6
MMWC-2-S	Shelf for MMWC-2 Cabinet	28-1/4" x 3/16" x 12-1/4"	Not Applicable	2.4

Model CMB

Cabinet Mounting Bracket may be used with any SCBA. Breathing apparatus is held in place by a quick-opening velcro strap. See ZICO catalog.

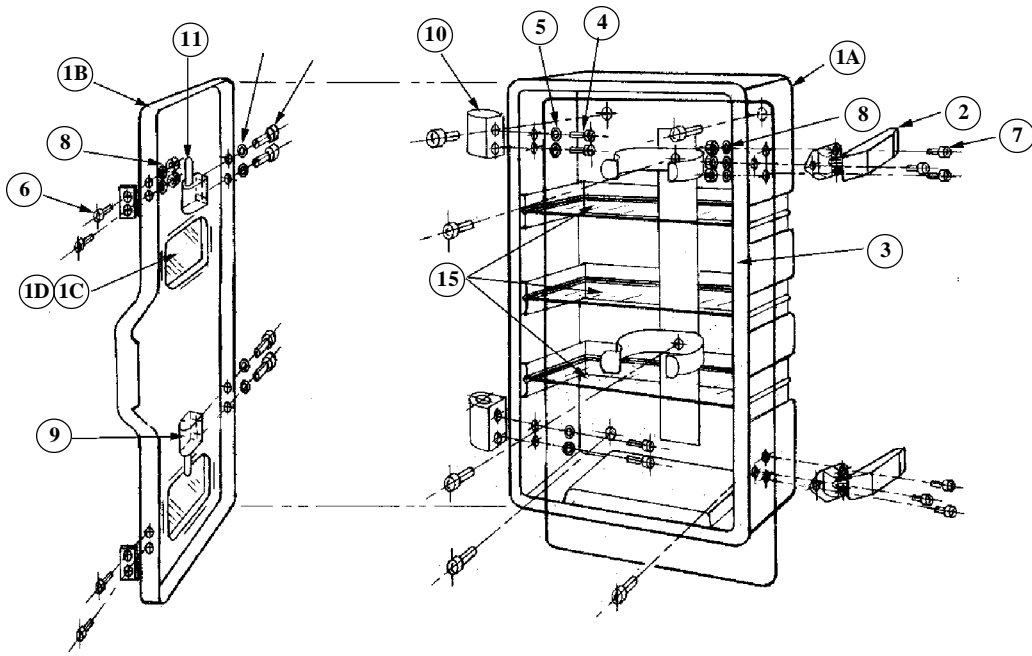


Optional brackets required for mounting SCBA in WC-1, MMWC-1 and MMWC-2 cabinets:

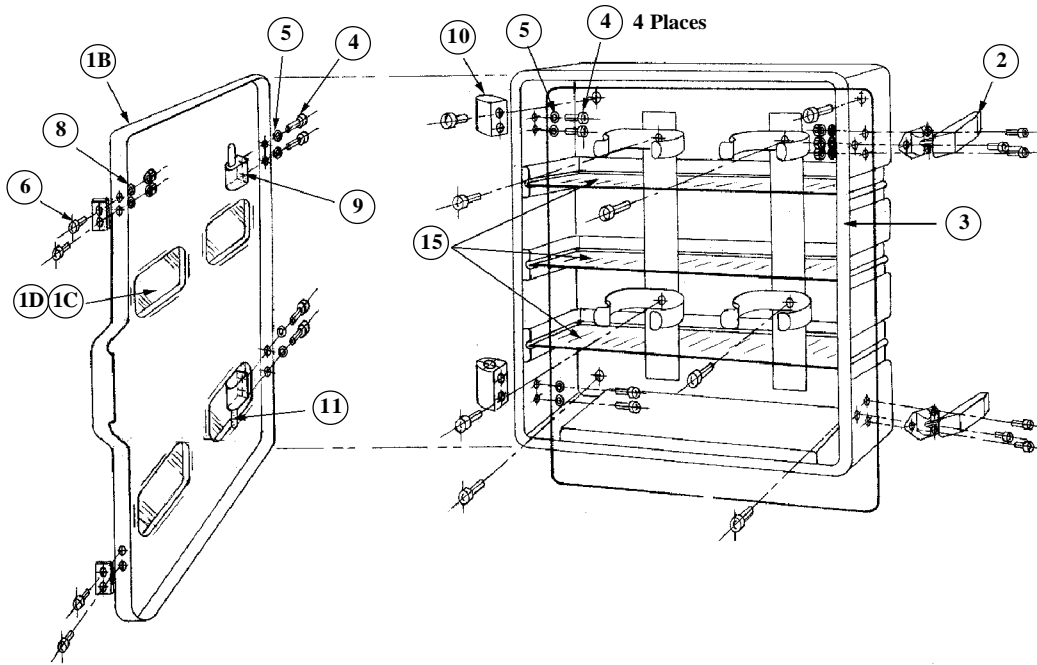


WALKAWAY Bracket

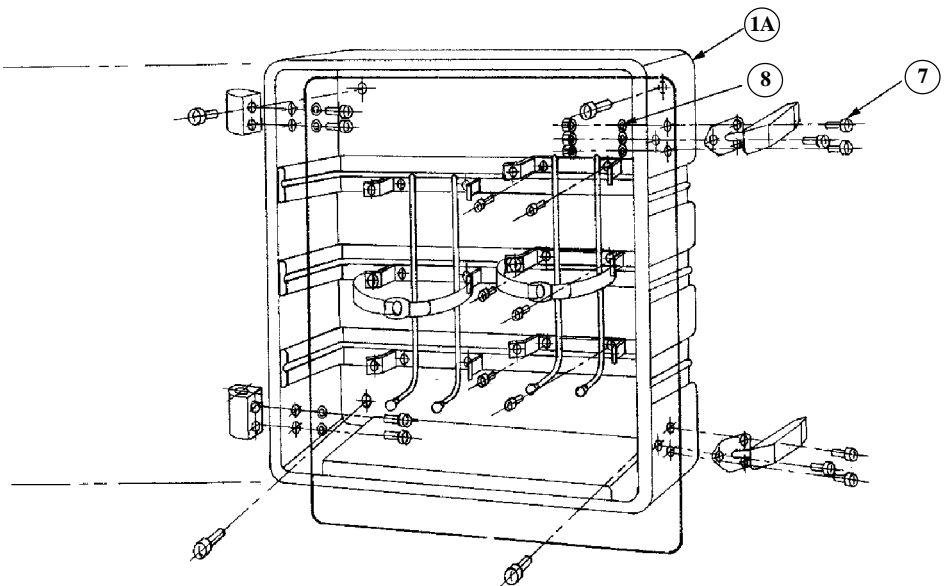
Spring clips hold the SCBA firmly in place. See "Recommended WALKAWAY® Brackets in ZICO catalog for the specific model required for use with your SCBA.



MMWC-1 Cabinet with WALKAWAY® bracket and three shelf locations shown.



MMWC-2 Cabinet with WALKAWAY® bracket (above) and CMB brackets (right). Shelf locations shown above.



ITEM NO.	DESCRIPTION	MODEL MMWC-1	MODEL MMWC-2	PCS. REQ.
1	Cabinet, door & windows	5005-110-105	5005-115-105	1
1A	Cabinet, molded ABS	5005-110-109	5005-115-109	1
1B	Door, molded ABS	5005-110-110	5005-115-110	1
1C	Window, clear polycarbonate	5005-110-107	5005-110-107	2
1D	3M adhesive for window	5005-000-120	5005-000-120	1 tube
2	Latch, ABS	5005-000-130	5005-000-130	2
3	Gasket, bulb seal	5005-000-125	5005-000-126	1
4	1/4-20 x 7/16 pan hd m/s	9110-212507	9110-212507	8
5	1/4 ID flat washer	9114-112500	9114-112500	8
6	3/16 pop rivet, .188/.250	9260-001802	9260-001802	4
7	3/16 pop rivet, .375/.500	9260-001806	9260-001806	6
8	.191 ID flat washer	9114-101800	9114-101800	10
9	Hinge attached to door	5005-000-115	5005-000-115	2
10	Hinge attached to cabinet	5005-000-116	5005-000-116	2
11	1/4 x 3-1/4 drive pin	9045-112552	9045-112552	2
14	Label, 15-30-45-60 minute	5005-000-150	5005-000-150	1
15	Optional shelf	MMWC-1-S	MMWC-2-S	
16	Opt. Label "Emergency Respirator"	5005-000-160	5005-000-160	
	Opt. Label "Emergency Equipment"	5005-000-165	5005-000-165	
	Opt. Label "Protective Clothing"	5005-000-170	5005-000-170	

Please read instructions carefully before mounting your new cabinet.

1. Your SCBA may either be mounted in a WALKAWAY® bracket or CMB cabinet mounting bracket. Any SCBA unit may be mounted in the CMB, but WALKAWAY brackets are specific to different manufacturer's and tank sizes. Consult "Recommended WALKAWAY Brackets" in the latest edition of our ZICO catalog to ascertain the correct WALKAWAY bracket.
2. Place complete SCBA unit, including cylinder and harness into the bracket (either WALKAWAY or CMB). If more than one complete SCBA or spare cylinder is to be mounted, read following instructions as plural.
3. Place the bracket with the complete SCBA into the cabinet. The valve assembly on the cylinder should rest upon the bottom shelf of the cabinet and at least two of the holes in the bracket should fall on a raised rib.
 - a. If only one SCBA is to be used in the case, center the bracket.
 - b. With the MMWC-2 cabinet, two SCBA units may be placed side by side in the cabinet, or a complete SCBA and a spare cylinder may fit into the cabinet.
 - c. Mark the location of the bracket within the cabinet.
4. Remove the bracket and SCBA from the cabinet and lay the SCBA aside.
5. Place the bracket back into the cabinet within the previously marked area.
 - a. Mark any two mounting holes in the WALKAWAY bracket (four 5/16" holes located down the center of the backplate).
 - b. Mark any four holes in the CMB bracket (5/16" holes).
 - c. Remove the bracket.
 - d. Make sure the area behind the case is clear and drill the 5/16" holes in the cabinet.
 - e. Mount the brackets using 1/4-20 hardware (not provided) with bolt head on inside of cabinet.
6. Place wall cabinet against the surface upon which it is to be mounted.
 - a. Bottom of the cabinet should be approximately 36" above the floor level.
 - b. Drill two or four 5/16" holes through the cabinet and into the mounting surface. Ideally, one hole should be drilled in each of the four corners.
 - c. If sheet metal or wood screws are to be used for mounting, use a 1/4" drill.
7. With your mounting hardware, fasten the assembly to the mounting surface.
8. You are now ready to place the SCBA into the mounting bracket.
9. The SCBA mask may be mounted in a mask holder or mask pouch to the side of the cabinet or placed on bottom shelf of the cabinet.



Ziamatic Corp.

10 West College Avenue, P.O. Box 337, Yardley, PA 19067-8337 • (215) 493-3618 • FAX: (215) 493-1401

www.ziamatic.com

CALL TOLL FREE: 800-711-FIRE

*ZICO is a registered trademark for fire, safety and marine products made by Ziamatic Corp.

Copyright Ziamatic Corp. 6-01